

Operation, Maintenance
and Service Manual

CENTIPEDS™

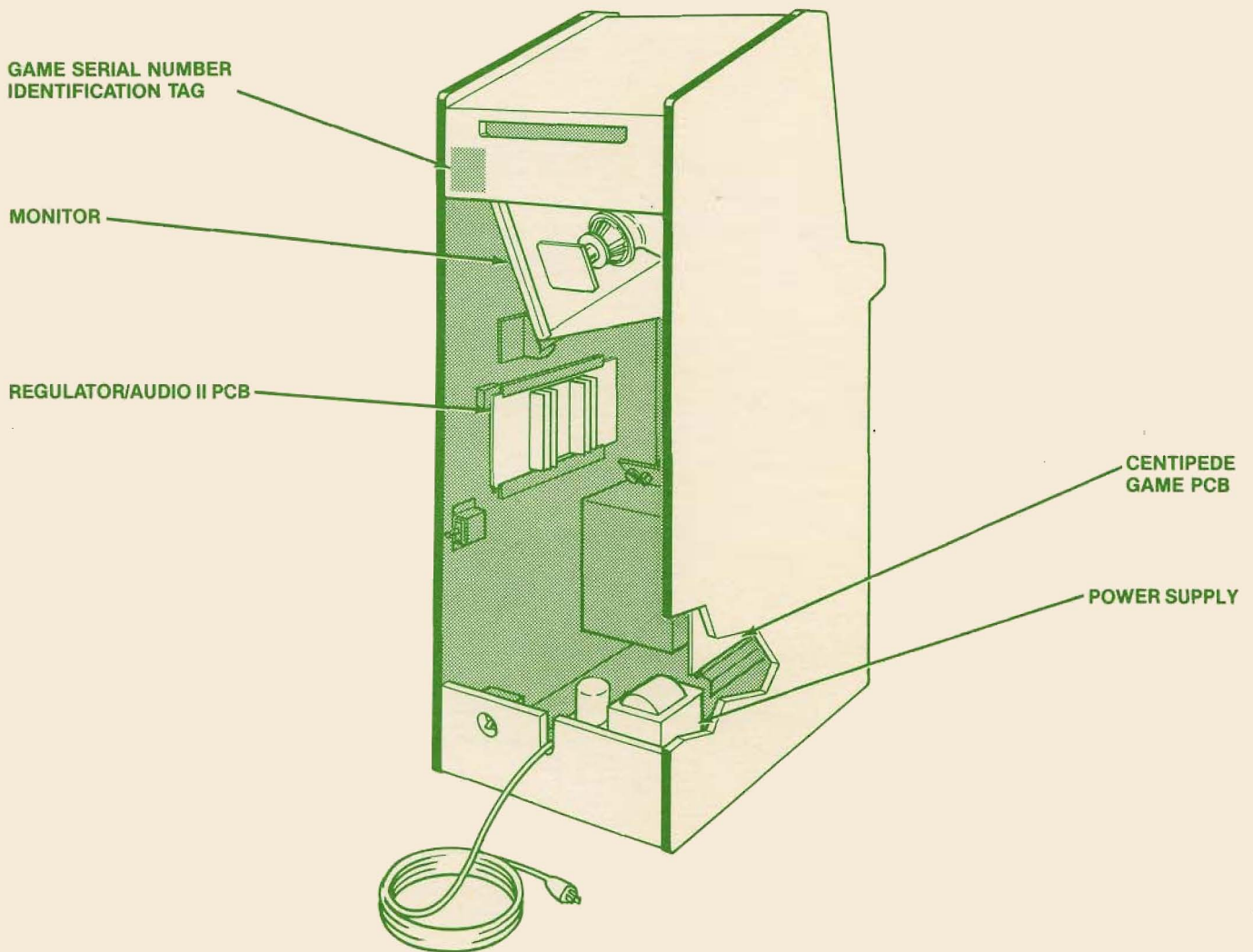
CABARET™

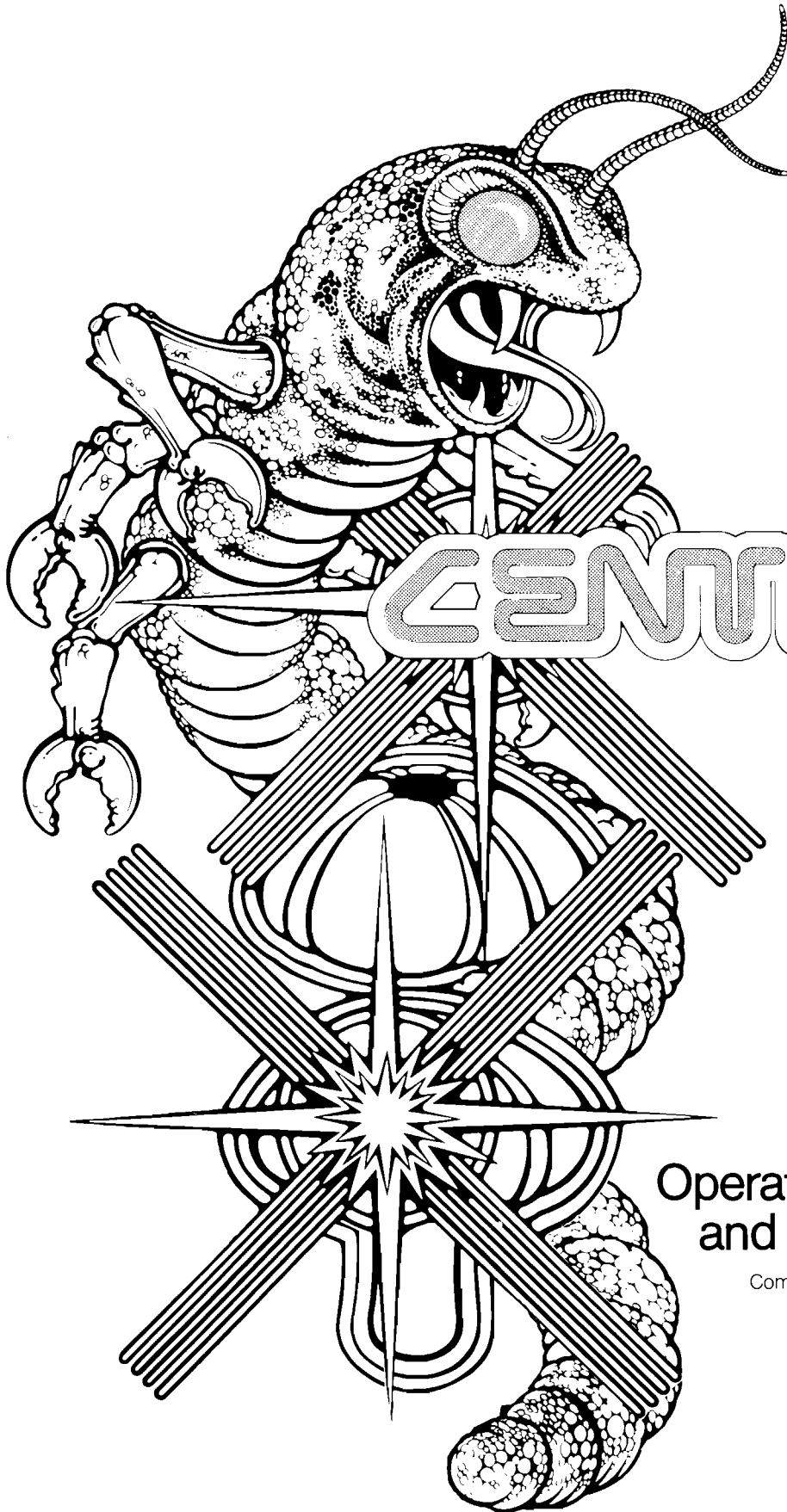
Complete with Illustrated Parts Lists

GAME SERIAL NUMBER LOCATION

Your game's serial number is stamped on a silver identification label. If your game is UL-listed, this label is located on the front of the game, underneath the speaker. Otherwise, the label is affixed to the rear panel of the game.

The same serial number is also stamped on the chassis of the monitor, Regulator/Audio II PCB, power supply, and Centipede™ Game PCB. Please mention this number whenever calling your distributor for service.





CENTIPED™

CABARET™

Operation, Maintenance
and Service Manual

Complete with Illustrated Parts Lists

Copyright © 1981 by Atari, Inc.

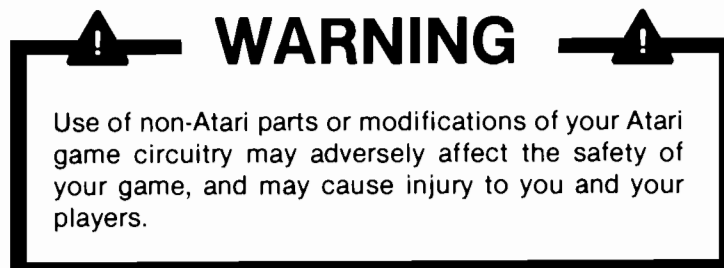
All rights reserved.

No part of this publication may be reproduced by any mechanical, photographic, or electronic process, or in the form of a phonographic recording, nor may it be stored in a retrieval system, transmitted, or otherwise copied for public or private use, without permission from the publisher.

Published by:
ATARI, INC.
1265 Borregas Avenue
P.O. Box 427
Sunnyvale, California 94086

Lithographed in the U.S.A. **6K**

Notice Regarding Non-Atari Parts



Atari, Inc.'s warranty (printed on the inside back cover of this manual) may be voided, if you do any of the following:

- 1.) you substitute non-Atari parts in your coin-operated game, or
- 2.) you modify or alter any circuits in your Atari game by using kits or parts **not** supplied by Atari.

Not only may the use of any non-Atari parts void your warranty, but any such alteration may also adversely affect the safety of your game, and may cause injury to you and your players.

Table of Contents

1	Set-Up Procedures	
A.	New Features	1
B.	Game Inspection	3
C.	Game Installation	3
1.	Voltage Plug Selection	4
2.	Interlock and Power On/Off Switches	4
D.	Self-Test Procedure	6
E.	Option Switch Settings	8
1.	Bonus Play Feature	8
2.	Coin Mechanism Multipliers	9
3.	Examples of Game Price Settings	9
F.	Game Play	12
1.	Attract Mode	12
2.	Ready-to-Play Mode	13
3.	Play Mode	13
4.	High Score Initial Mode	15
2	Maintenance and Repair	
A.	Cleaning	18
B.	Fuse Replacement	18
C.	The Control Panel	18
1.	LED Start-Switch Replacement	19
2.	Leaf-Switch Replacement	19
3.	Mini-Trak Ball™ Maintenance and Repair	19
D.	Monitor Removal	21
E.	Printed-Circuit Board Removal	22
1.	Game PCB Removal	22
2.	Regulator/Audio II PCB Removal	22
F.	Game Operation	23
3	Illustrated Parts Lists	
	Illustrations and parts lists begin on page	28

List of Illustrations

Figure 1	Overview of Game	2
Figure 2	Installation Requirements	3
Figure 3	International Voltage Plug Selection	4
Figure 4	Interlock and Power On/Off Switches	5
Figure 5	Self-Test Procedure	6
Figure 6	Location of Self-Test Switch, Volume Control and Option Switches	8
Figure 7	Game Option Settings	9
Figure 8	Game Price Settings	10
Figure 9	Coin Counter Option Settings	12
Figure 10	Opening the Control Panel and Replacing Switches	18
Figure 11	Control Panel Wiring	19
Figure 12	Mini-Trak Ball™ Maintenance and Repair	20
Figure 13	Monitor Removal	21
Figure 14	Printed-Circuit Board Removal	22
Figure 15	Power Distribution	24
Figure 16	Signal Distribution	25
<i>Illustrated Parts Lists:</i>		
Figure 17	Cabinet-Mounted Assemblies	28
Figure 18	Control Panel Assembly	31
Figure 19	Mini-Trak Ball™ Assembly	32
Figure 20	Regulator/Audio II PCB Assembly	34
Figure 21	Centipede™ Game PCB Assembly	36
Figure 22	Power Supply Assembly	40
Figure 23	Vertical-Mounted Coin Door	42


NOTE


If reading through this manual does not lead to solving a certain maintenance problem, call Tele-Help® at the Atari Customer Service office in your geographical area, as shown below.

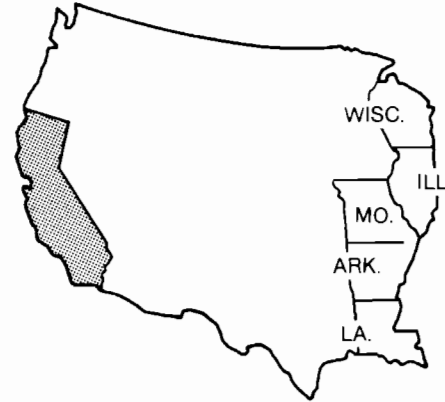
WEST and CENTRAL U.S.A.

Parts for all Atari customers in the U.S.A. Game sales and service

Atari, Inc.
California Customer Service Office
1105 N. Fair Oaks Avenue
P. O. Box 427, Sunnyvale, CA 94086
Telex 17-1103
(Monday–Friday, 7:30–4:00 pm Pacific Time)

 From California, Alaska or Hawaii
(408) 745-2900


 From anywhere else in this area
toll-free (800) 538-1611




EAST U.S.A.

Game sales and service only

Atari, Inc.
New Jersey Customer Service Office
Cottontail Lane, Somerset, NJ 08873
Telex 37-9347
(Monday–Friday, 7:30–4:00 pm Eastern time)

 From New Jersey
(201) 469-5993

 From anywhere else in this area
toll-free (800) 526-3849




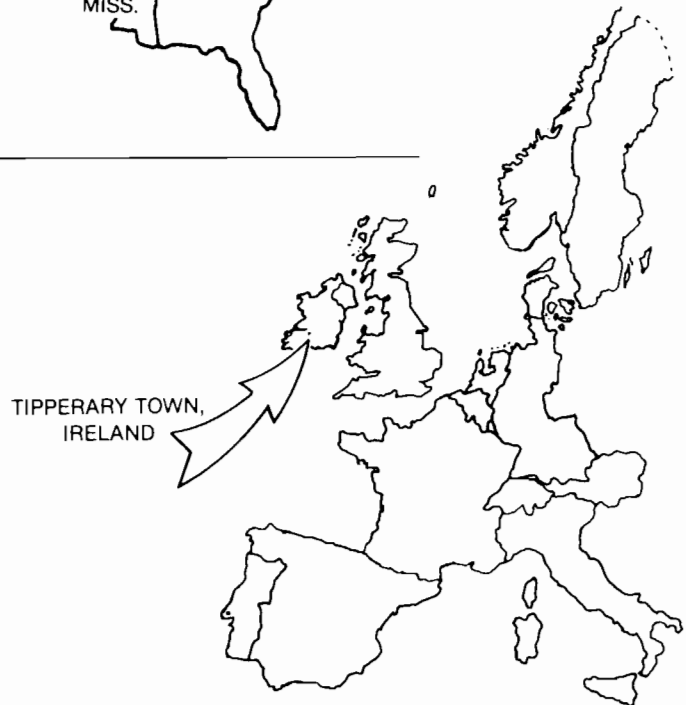
EUROPE

Parts for all Atari customers in Western Europe.

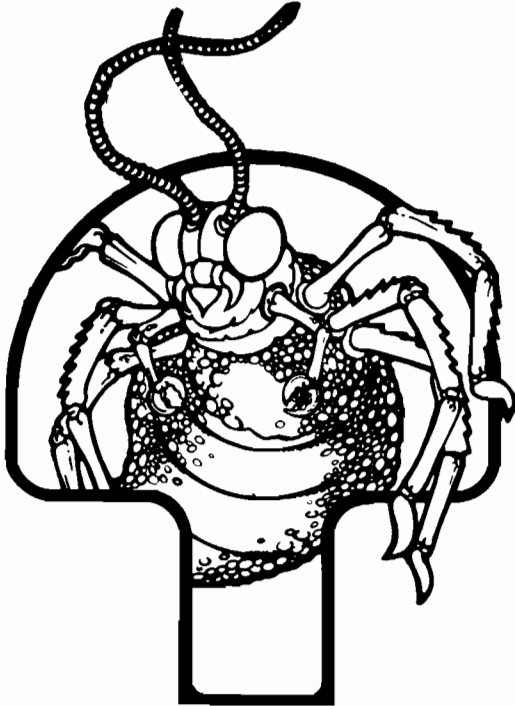
Game sales and service

Atari Ireland Limited
European Customer Service Office
Tipperary Town, Ireland
Telex 28165
(Monday–Friday, 9:00–6:00 pm GMT)

 062-52155



Set-Up Procedures



A. New Features

The Centipede™/Cabaret™ game has several new features. Even if you are familiar with Atari games, you should note these important differences. The new features are:

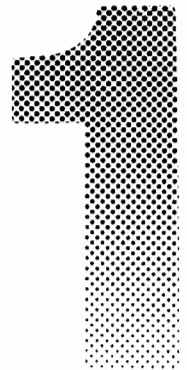
- **Mini-Trak Ball™ Assembly.** The widely used Trak Ball assembly has been redesigned. The basis for this compact, simplified design is a two-part molded plastic frame. Fewer parts in this control make servicing easier, and its very smooth action is designed for greater player accuracy.
- The circuitry has **non-volatile memory** that automatically counts the number of games played and averages the game time. Also, the three highest scores in the high score table will permanently stay in memory. To erase this information, follow the instructions in *Figure 6, Self-Test Procedure*.
- This game introduces Atari's new **vertical-mounted coin door assembly**. It allows full access for servicing the coin acceptors and other electrical parts, yet provides security for the cash. Therefore, the two doors in this assembly are separately keyed.

- The addition of a **foam pad on the rear access panel** insures that the safety interlock switch will be completely closed when you lock this panel.
- **Additional Improvements:** The wiring harness has been redesigned so that signal and power wiring are now separated to provide ease of maintenance and troubleshooting. Second, all monitors used are UL-Recognized and CSA-Certified, thus providing the most reliable and highest quality monitors available in the marketplace today.

In addition, the power supply chassis has been fitted with a metal bottom plate, making it a totally self-contained unit.

Fourth, the attraction panel and monitor shield are now made of tempered glass to facilitate cleaning and improve visibility.

These new parts, as well as all other major parts in the game, are illustrated in Figure 1. Throughout this manual, wherever one of these new parts is mentioned, you will see this symbol:



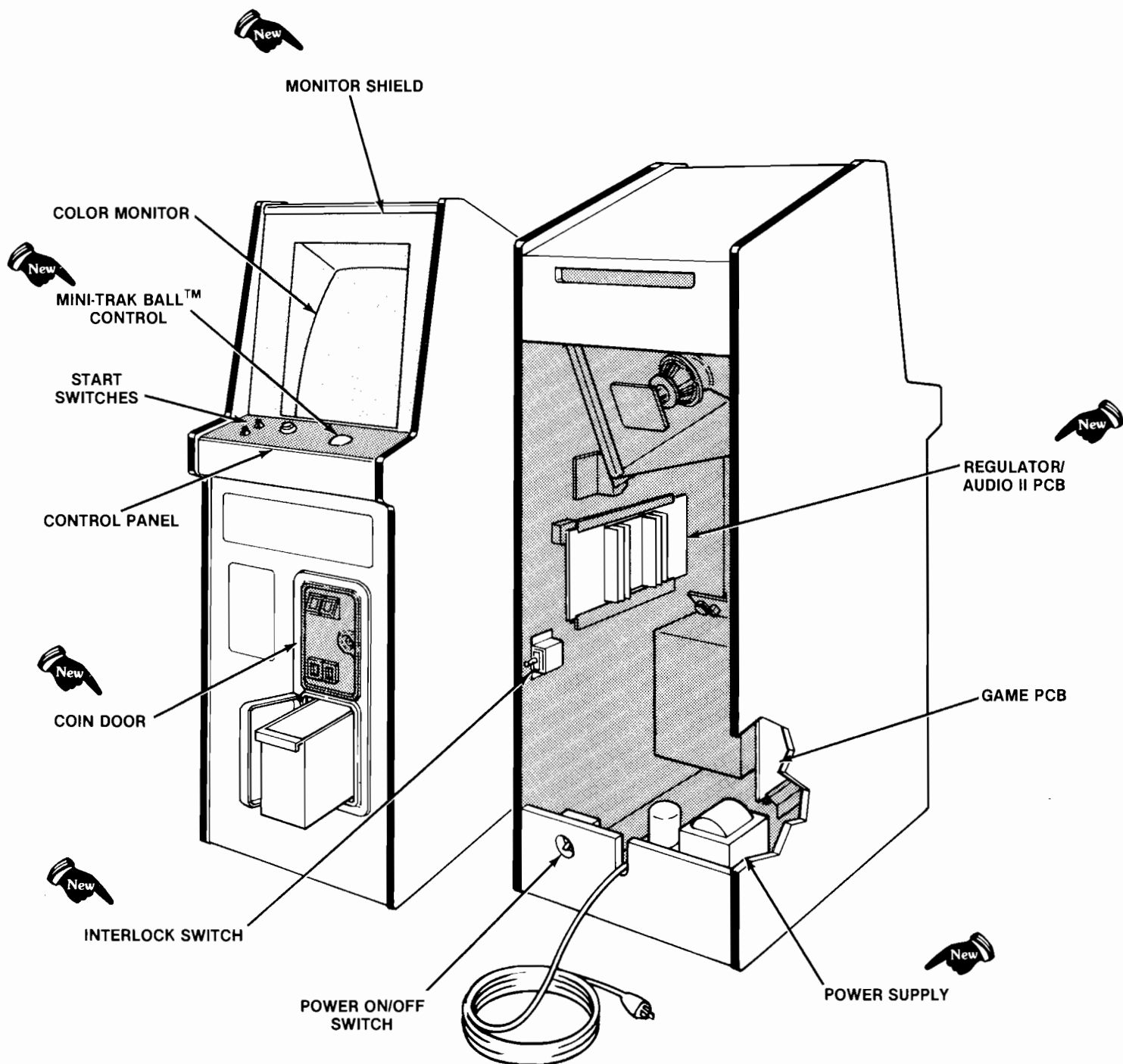


Figure 1 Overview of Game

WARNING:
SHOCK HAZARD

Connect this game only to a grounded 3-wire outlet. If you have only a 2-wire outlet, we recommend you hire a licensed electrician to install a grounded outlet. **Players may receive an electric shock** if this game is not properly grounded!

B. Game Inspection

This new game is ready to play upon removal from the shipping carton. However, your careful inspection is needed to supply the final touch of quality control. Please follow these steps to help us insure that your new game was delivered to you in good condition.

NOTE

Do not plug the game in yet!

1. Examine the exterior of the game cabinet for dents, chips, or broken parts.
2. Remove the screws that were used as extra security to seal the rear access panel. Unlock and open this panel, as well as the coin door; inspect the interior of the game as follows:
 - Check that all plug-in connectors (on the game harness) are firmly seated. Replug any connectors found unplugged. **Don't force connectors together.** The connectors are keyed so they only go on in the proper orientation. **A reversed edge connector will damage a PCB and will void your warranty.**
 - Check that all plug-in integrated circuits on the game PCB are firmly seated in their sockets.
 - Remove the tie-wrap that holds the coiled power cord on the inside cabinet wall. Check the cord for any cuts or dents in the insulation. Place the square black metal strain-relief plate in the wood slot at the bottom of the rear panel opening.

WARNING

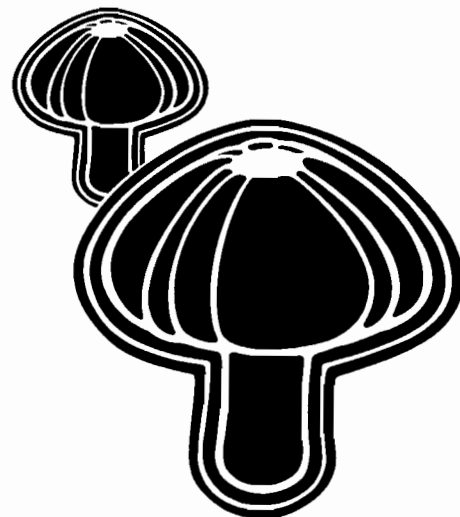
To avoid possible unpleasant electrical shock, do not touch internal parts of the monitor with your hands or with metal objects held in your hands!

- Note the location of the game's serial number—it is printed on the special label on the outside of the game cabinet. Verify that the serial numbers also stamped on the Centipede™ game PCB, Regulator/Audio II PCB, power supply, and monitor are all identical. A drawing of the serial-numbered components is on the inside front cover of this manual. Please mention this number whenever you call your distributor for service.
- Check all major subassemblies such as the power supply, control panel and monitor for secure mounting.

C. Game Installation

Figure 2 Installation Requirements

Power	130 watts
Temperature	0 to 38° C (32 to 100° F)
Humidity	Not over 95% relative
Space Required	52 x 78¾ cm (20½ x 31 in.)
Game Height	153¾ cm (60½ in.)



1. Voltage Selection

If you live outside the United States, your Centipede™ game has the international or European power supply with two or three colored plugs. Before plugging in your game, make sure that the voltage selection plug on the power supply (see Figure 3) is correct for your location's line voltage. Check the wire color on the plug and see if it is correct per Figure 3.



2. Interlock and Power On/Off Switches

To minimize the hazard of electrical shock while working on the inside of the game cabinet, an interlock switch has been installed (see Figure 4). One is located behind the rear access panel and one is behind the coin door. These switches remove all AC line power from the game circuitry when a door is opened.

Check for proper operation of the interlock switches by performing the following steps:

- Be sure the access panel and the coin door are closed.
- Plug the AC line power cord into an AC outlet.
- Set the power on/off switch to the **on** position. Within approximately 30 seconds the monitor should display a picture.
- Slowly open the rear access panel. The monitor picture should disappear when the panel is opened approximately 2½ cm (1 inch). Close and lock the access panel and repeat this step with the coin door.
- If the results of the preceding step are satisfactory, the interlock switches are operating properly. If the monitor doesn't go off as described, check to see if the corresponding interlock switch is broken from its mounting or stuck in the **on** position.

Line Voltage Range

90-110 VAC (100)
 105-135 VAC (120)
 200-240 VAC (225)
 220-260 VAC (240)

Voltage Selection Plug Color

Violet
 Yellow
 Blue
 Brown

NOTE: Your game will be supplied with only one, two or three of the above plugs. If you need to replace any of them, refer to Figure 22 for part numbers of all four plugs.

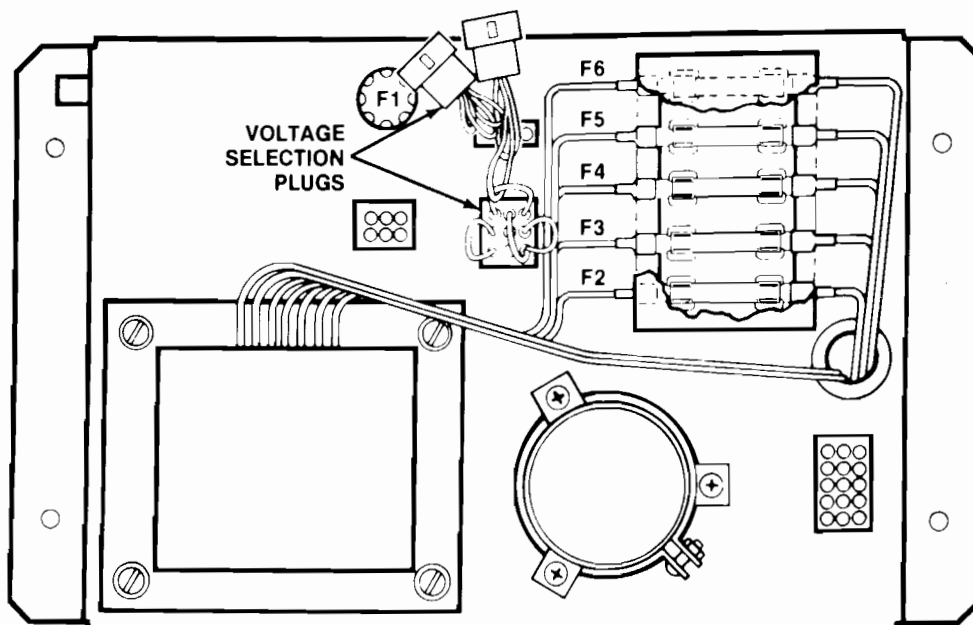
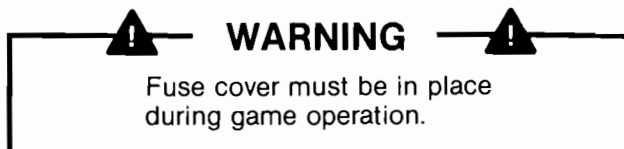


Figure 3 International Voltage Plug Selection

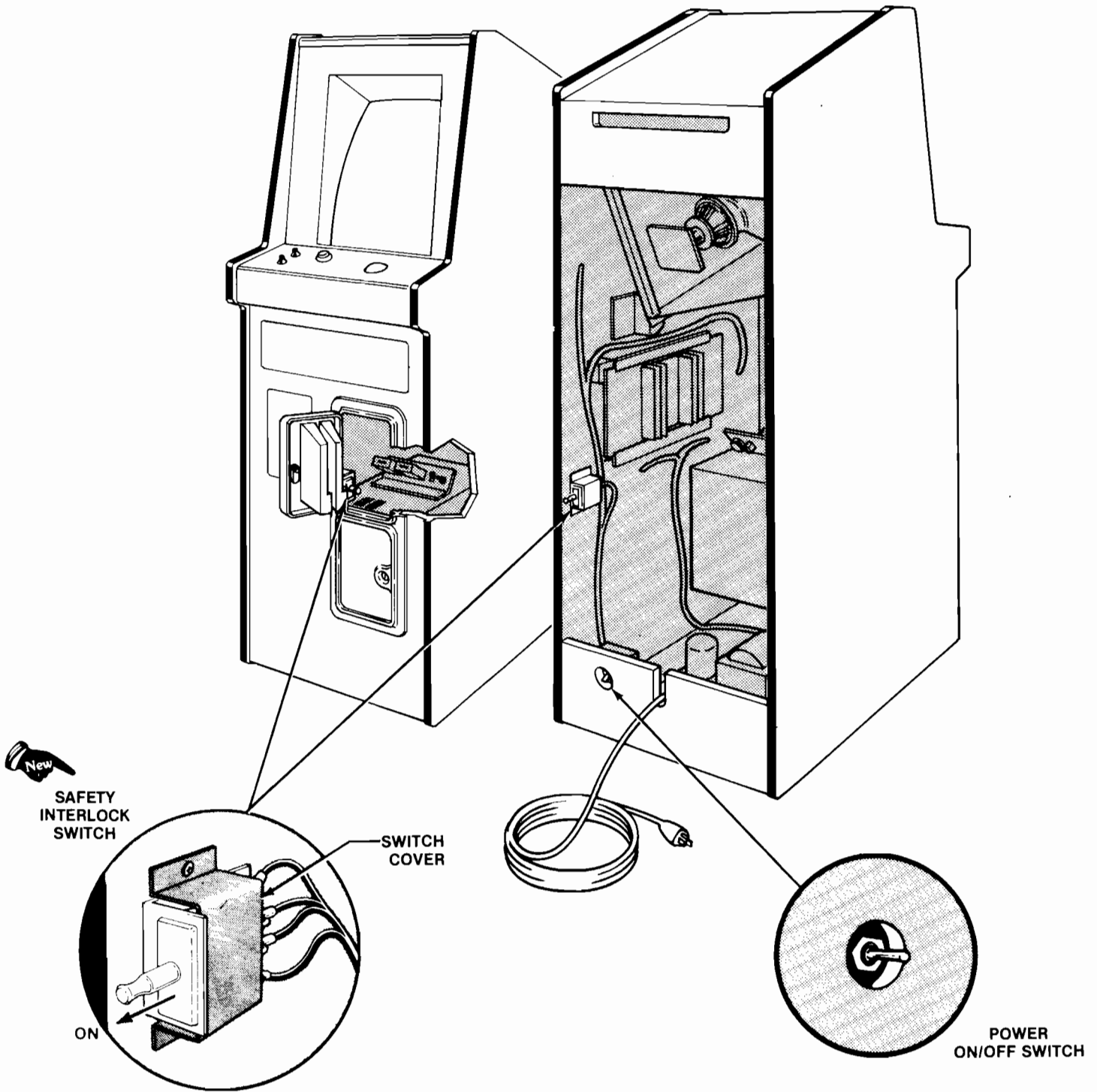


Figure 4 Interlock and Power On/Off Switches


D. Self-Test Procedure

The Centipede/Cabaret game will test itself and provide data to demonstrate that the game's circuitry and controls are operating properly. The data is provided on the monitor, the light-emitting diodes in the start switches, and the game speaker; no additional equipment is necessary.

Part of the self-test procedure includes a display of the operator-selectable game options. Therefore, we suggest you run the self-test procedure anytime you need to change the game's options.

To run the self-test, follow the instructions outlined in Figure 5.

Figure 5 Self-Test Procedure

Instruction	Results if Test Passes (if results are <i>not</i> as indicated, see list of failures that follows)
1. Begin: Set self-test switch to on position (see Figure 6).	The monitor displays the picture below. The game produces no sound at all. The two LEDs will stay on throughout self-test.
2. Trak Ball Test: Roll the Trak Ball control in all directions.	The centipede head moves around on the screen in directions corresponding to Trak Ball control.
3. Switch Test: One after another, activate and release all 3 control-panel switches, the slam switch, and coin door switches.*	As long as you activate (close) each switch, you'll hear a high beep.
4. Audio I/O Chip Test: One after another, press and hold 2 of the control-panel switches and at least one of the coin-door switches.	Volume increases and pitch decreases with each additional switch that is activated.
5. Audio I/O Channel Test: Press 1-player start button four times.	You'll hear a high beep for each press of the button.
6. Background Color Test: Press 1-player start button at least eight more times.	Background color changes with each press of the 1-player start button.
7. Object Color Test: Press 2-player start button at least 16 times.	Objects on playfield change color.
8. Moving Object Test: Watch the screen, and move the Trak Ball around. Place the moving object in an open area of the screen. Press fire button several times.	Each press of the fire button changes the moving object to another moving object. At certain points in the series, the object will disappear. This is not a failure indication.
9. Erasing the High Score Table (optional) The current three highest scores are held in permanent memory, even if the game is unplugged. If you want to erase these scores, simultaneously press the fire and two start buttons. The 4 FF message in the upper left corner of the screen will then be displayed. The average game time data will also be erased, but still displayed on the screen.	
10. End: When satisfied with test, set self-test switch to off position.	

* Activate coin switches by inserting at least one coin in each coin slot. You will not trip the coin counters as long as you stay in self-test.

Figure 5 Self-Test Procedure, continued

Results if Test Fails

1. Begin:

RAM FAILURE is indicated by one to 10 beeps. Note the number of beeps and determine which RAM may be bad. To restart the test, press the reset pushbutton on the game PCB, or set the self-test switch to off, then again to the on position.

Number of Beeps Given	Possible Bad RAM Chip Location
1	H2
2	F2
3	K7
4	K5
5	L7
6	L5
7	M7
8	M5
9	N7
10	N5

Any bad RAM must be replaced before the computer can check the other RAMs, as well as continue with the self-test.

ROM/PROM FAILURE is indicated by two groups of numbers in the upper left corner of the screen. The number at the far left indicates the location of the failing PROM/ROM(s). Identify the bad ROM/PROM with the table below. If the screen displays "garbage," or the logic produces strange audio or randomly activates the coin counters, the chip at location J1 is probably bad.

Ignore the hexadecimal numbers just to the right of the chip location number.

Displayed Number	Failing ROM/PROM Chip Location
0	D1
1	E1
2	F/H1
3 or "garbage"	J1
4*	E5*
5	B/C/D3

*If you replace or erase this ROM, the number 4 FF will be displayed throughout the self-test. The next time you enter self-test, the 4 disappears after a game is played. Otherwise the self-test will continue to display the numbers 4 FF.

2. Trak Ball Test:

The character doesn't move in same direction as ball, jumps rather than moves smoothly, or doesn't move at all. One of the Coupler PCBs or Trak Ball control may be bad, harness wires or connector may be loose, Trak Ball reading circuitry on Game PCB may be bad, or Trak Ball bearings may need oiling.

3. Switch Test:

Sound is constantly on, even though you are not activating any switch. Or, no beep is given for any switch, or LED is dark. Indicates a bad switch, loose harness wires, bad LED-driving circuitry, volume turned all the way down, or loose connector.

4. Audio I/O Chip Test:

No increase in volume or decrease in pitch indicates bad custom audio I/O chip at location B/C/D3.

5. Audio I/O Channel Test:

On one out of the four activations, no audio is produced. Indicates one channel is bad in the custom I/O audio chip at location B/C/D3 (replace entire chip).

6. Background Color Test:

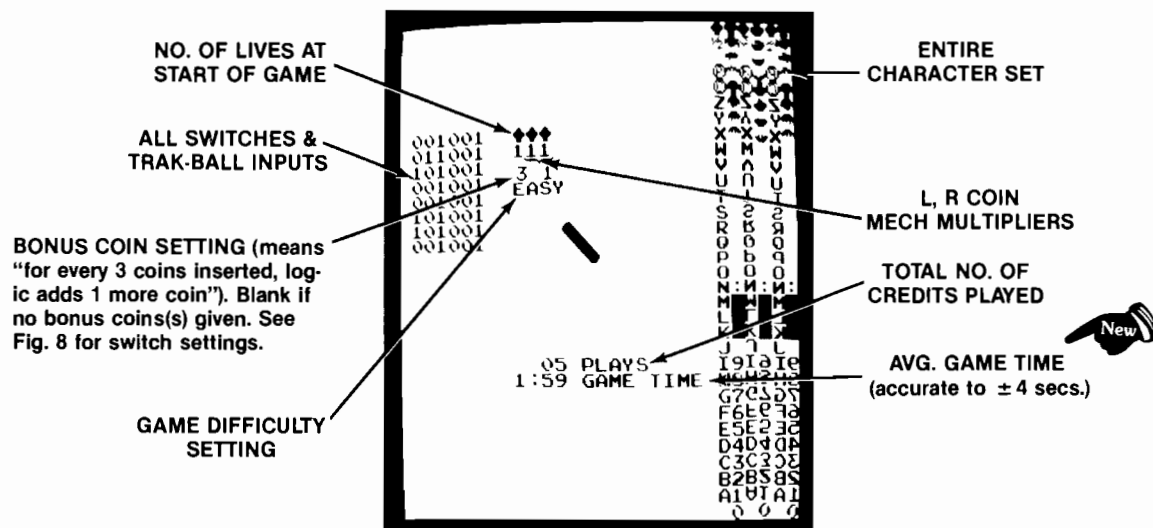
Background doesn't change color, or doesn't display all 16 colors. Indicates bad color RAM chip. (RAM failure would have been indicated earlier with from 3 through 10 beeps.)

7. Object Color Test:

Objects don't change color, or don't display all 16 colors. RAM failure.

8. Moving Object Test:

Object doesn't change to another object. ROM/RAM failure.



E. Option Switch Settings

1. Bonus Play Feature

The Centipede™ game offers a bonus play for certain combinations of coins inserted. This bonus feature is operator-selectable, meaning you may choose to offer it or not.

For example, with your game set at 25¢ per play, players who deposit four successive quarters or a \$1.00 coin, then press the start button, can receive a bonus coin. Therefore, players receive 5 plays for \$1.00.

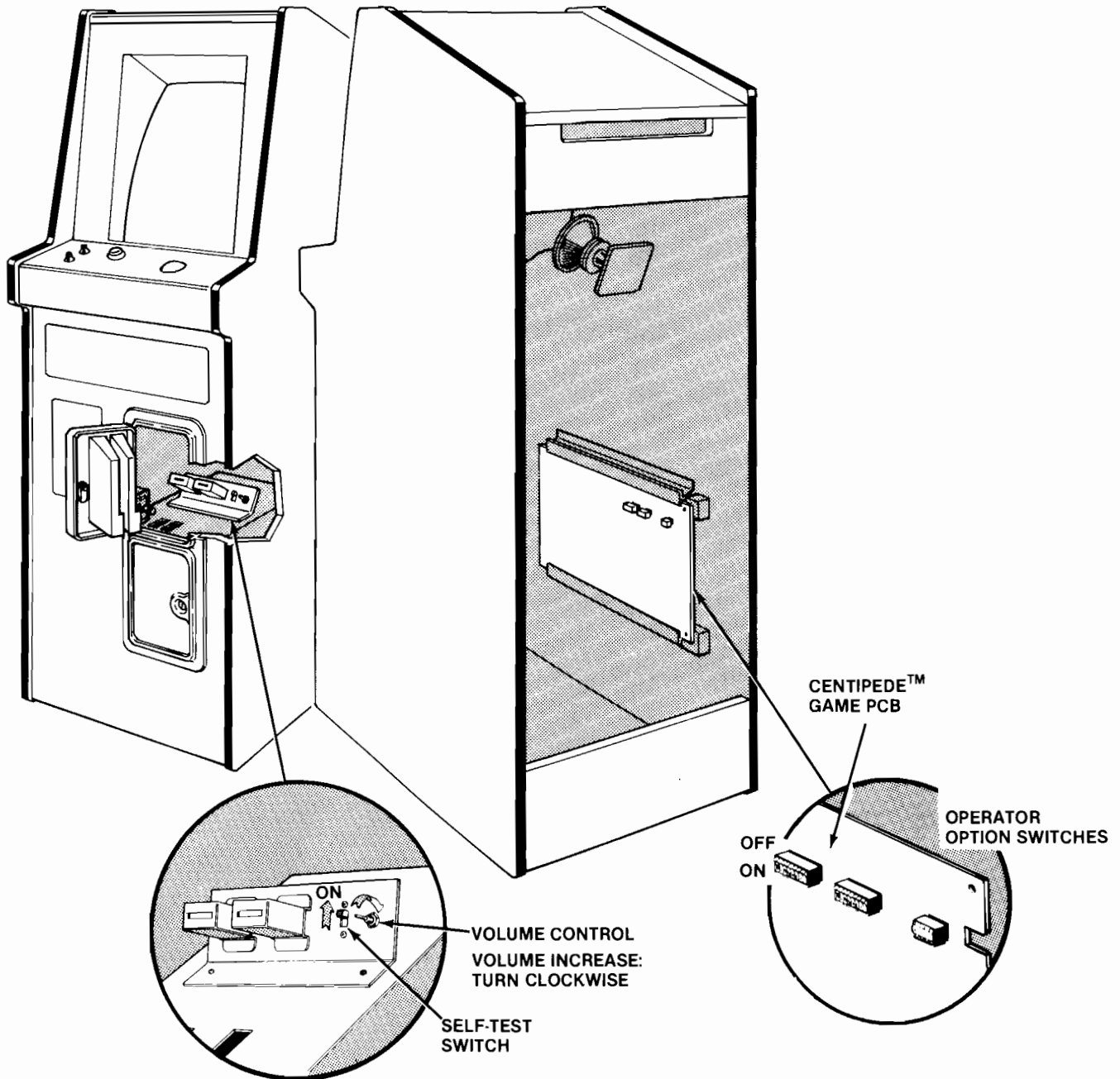


Figure 6 Location of Self-Test Switch, Volume Control and Option Switches

This bonus feature encourages players to insert more money than just the minimum 25¢ you could require for one game. Various other bonuses are available (see Figure 8).

2. Coin Mechanism Multipliers

This game has a new vertical-mounted coin door combined with coin-box entrance; it has two mechanisms. All recent Atari game PCBs identify the two mechanisms in a certain pattern.

This pattern is important for you to know, so you can correctly set the “multipliers” for each mech. The multipliers determine how much each mechanism will be worth to the game’s logic.

The basic unit of measurement is 25¢, which equals a multiplier of $\times 1$. Therefore, if you have a

25¢/\$1 coin door, you will probably want to set the left and right option-switch multipliers at $\times 1/\times 4$.

You can set these multipliers with toggles 3 thru 5 on the Centipede™ Game PCB switch assembly at location N8. For exact settings of these toggles, refer to Figure 8.


3. Examples of Game Price Settings

Figure 8 explains the options, giving twelve examples of the most common U.S. situations. The toggles mentioned are all in the switch at location N8; they **only** relate to game price, coin mechanism multipliers, and bonus play. You should set the toggles relating to other functions as you see fit, although Figure 7, 8, and 9 provide “\$” signs indicating Atari’s recommendations.

Figure 7 Game Option Settings

To change toggle positions on the switch assemblies, you need not remove the game PCB. The switches, usually colored blue, are easily accessible when the Centipede Game PCB is mounted in place.

When changing the options, verify proper results on the monitor display **by performing the self-test**. Note that changing an option on any of the following eight toggles will **not** cause an immediate change on the monitor screen during the attract mode.

Toggle Settings of 8-Toggle Switch on Centipede Game PCB (at N9) (CENTER switch assembly when PCB is in game)								Option
8	7	6	5	4	3	2	1	
							On	English \$
							On	German
							Off	French
							Off	Spanish
				On	On			2 lives per game
				On	Off			3 lives per game \$
				Off	On			4 lives per game
				Off	Off			5 lives per game
								Bonus life granted at every:
		On	On					10,000 points
		On	Off					12,000 points \$
		Off	On					15,000 points
		Off	Off					20,000 points
	On							Hard game difficulty* 
	Off							Easy game difficulty* \$
On								1-credit minimum \$
Off								2-credit minimum

\$ Manufacturer's suggested settings

*Refer to Section **F. Game Play**, for information on game difficulty.

For pricing for “credits,” see Figure 8.

Changing toggles 3-7 erases the high score table.

Figure 8 Game Price Settings

The white block below contains Atari's suggested settings. All numbers 1 thru 8 are toggle settings on the 8-toggle switch at location N8, on the Centipede™ Game PCB (the LEFT switch assembly).

Circled numbers refer to game pricing labels you should use with each situation (labels are on the following page). Use the label no. 6 (indicated with ⑥) only if you set toggle 8 at PCB switch assembly N9 to off.

50¢ PER CREDIT

	No bonus	Bonus \$1.00 = 3 credits	Bonus \$.75 = 2 credits \$1.00 = 3 credits
Straight 25¢ Door	① 8 Off 7 Off 6 Off 5 Off 4 Off 3 Off 2 On 1 On	③ 8 Off 7 On 6 On 5 Off 4 Off 3 Off 2 On 1 On	④ 8 Off 7 Off 6 On 5 Off 4 Off 3 Off 2 On 1 On
25¢/\$1.00 Door	① 8 Off 7 Off 6 Off 5 Off 4 Off 3 On 2 On 1 On	③ 8 Off 7 On 6 On 5 Off ⑤ 4 Off 3 On 2 On 1 On	④ 8 Off 7 Off 6 On 5 Off ⑤ 4 Off 3 On 2 On 1 On

25¢ PER CREDIT

	No bonus	Bonus \$.50 = 3 credits	Bonus \$1.00 = 5 credits
Straight 25¢ Door	② 8 Off 7 Off 6 Off 5 Off ⑥ 4 Off 3 Off 2 On 1 Off	⑥ 8 Off 7 Off 6 On 5 Off ⑦ 4 Off 3 Off 2 On 1 Off	⑥ 8 Off 7 On 6 Off 5 Off ⑦ 4 Off 3 Off 2 On 1 Off
25¢/\$1.00 Door	② 8 Off 7 Off 6 Off 5 Off ⑥ 4 Off 3 On 2 On 1 Off	⑥ 8 Off 7 Off 6 On 5 Off ⑦ 4 Off 3 On 2 On 1 Off	⑥ 8 Off 7 On 6 Off 5 Off ⑦ 4 Off 3 On 2 On 1 Off

Figure 8 Game Price Settings, continued

The switch settings below relate to options for game price, coin mechanism multipliers, and bonus play. This information is useful in case you need to temporarily set the Centipede™ game on free play, or if you have German coin mechanisms in your door.

To achieve bonus plays, all coins must be inserted before pressing the start button. The label no. 6 shown below should be used **only** if you set toggle 8 at PCB switch assembly N9 to **off**.

Toggle Settings of 8-Toggle Switch on Centipede PCB (at N8). LEFT switch when PCB is in game								Option
8	7	6	5	4	3	2	1	
						On	On	Free play
						On	Off	1 coin* for 2 credits
						Off	On	1 coin* for 1 credit \$
						Off	Off	2 coins* for 1 credit
				On	On			Right coin mech × 1 \$
				On	Off			Right coin mech × 4
				Off	On			Right coin mech × 5
				Off	Off			Right coin mech × 6
			On					Left coin mech × 1 \$
			Off					Left coin mech × 2
On	On	On						No bonus coins \$
On	On	Off						For every 2 coins* inserted, game logic adds 1 more coin*
On	Off	On						For every 4 coins* inserted, game logic adds 1 more coin*
On	Off	Off						For every 4 coins* inserted, game logic adds 2 more coins*
Off	On	On						For every 5 coins* inserted, game logic adds 1 more coin*
Off	On	Off						For every 3 coins* inserted, game logic adds 1 more coin*

*In the U.S., a "coin" is defined as 25¢. In Germany a "coin" is 1 DM.

\$ Manufacturer's suggested settings

To achieve bonus plays, all coins must be inserted before pressing start button.

Game Pricing Labels

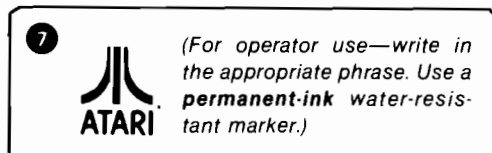
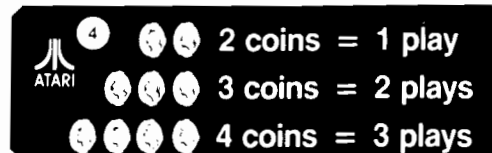


Figure 9 Coin Counter Option Settings

[These toggles determine which coin mechanisms activate which counters]

Toggle Settings of 4-Toggle Switch on Game PCB (N11)				Two coin acceptors in the coin door:	Two coin acceptors and a push-button utility coin switch in the game:	Three coin acceptors in the coin door:
4	3	2	1			
Not Used	Not Used	On	On	Both acceptors activate all coin counters simultaneously.	<i>Do not use this setting.</i>	All 3 are same denomination and they activate all coin counters simultaneously.
		On	Off	Both acceptors activate 2 counters separately.	<i>Do not use this setting.</i>	Left and center acceptor activate one coin counter; right acceptor activates another coin counter.
		On	Off	Both acceptors activate all coin counters simultaneously.	Utility coin switch will not activate a coin counter, if you do not hook it up. Both acceptors activate all coin counters simultaneously.	Left acceptor activates one coin counter; center and right acceptor activate another coin counter. <i>Not for any currently designed 3-mech coin door.</i>
		Off	Off	Both acceptors activate 2 counters separately. \$	Utility coin switch will not activate a coin counter, if you do not hook it up. Left and right acceptors activate 2 coin counters separately.	Left, center and right acceptors activate 3 coin counters separately. \$

\$ Manufacturer's suggested setting

F. Game Play

Atari's Centipede™ game is a one- or two-player game with a color raster-scan monitor. The fast-moving action includes a variety of creatures dropping down from the top of the screen or flying in from its sides, most of them to attack the player. The player's shooter is represented on the screen by a somewhat humanoid head.

The player's goal is to shoot at and destroy as many of these creatures and mushrooms as possible for a high point score, before the player's lives are used up. Players can maneuver their Trak Ball™ control anywhere within approximately the bottom fifth of the screen. However, they must move around mushrooms, since these are fixed, not "transparent", objects. A fire button shoots individual shots upwards, or fires a hail of shots if pressed constantly. (Only one shot appears on the screen at a time.)

The game has five possible modes of operation: attract, ready-to-play, play, high score initial, and self-test. Self-test is a special mode for checking the game switches and computer functions. You may enter this mode at any time. When entered, all game credits are cancelled. Wait at least eight seconds

after a game has been played before entering self-test or turning off the power. Otherwise, you may erase the high score table, the average game time and the number of plays.

1. Attract Mode

The attract mode begins when power is applied to the game, after a play or high score initial mode, or after self-test. This mode is continuous and is only interrupted when a game is paid for and accepted or when in self-test. In this mode, the monitor displays two pictures simultaneously.

One of the pictures is operator-selectable for one of four languages. Placed in the center of the screen, the picture shows the high score table, game price, and the bonus-life achievement level. If the operator sets the Centipede game for free play, the game will not display a game price message.

The high score table shows the eight highest scores and their matching initials. If you erase the special "permanent" memory (see Figure 6, Self-Test Procedure), then this table will contain fictitious scores and initials. The table is redeveloped from subsequent games with scores of more than 12,102 points. Subsection 4, *High Score Initial Mode*, explains this table in more detail.



Operators may choose one- or two-credit minimums by selecting one of the option switch settings on the game PCB (see Figure 7, Game Option Settings).

If the game is set for a 2-credit minimum, that message will be displayed on the screen. (No special message appears if Centipede is set to the opposite setting, namely 1-credit minimum.)

The other picture surrounds the high score table, game price and bonus-life achievement level messages. That picture displays a typical game-play sequence, with a field of colorful mushrooms through which a centipede crawls. The spiders bounce in from the sides of the screen, and fleas occasionally drop down from the top. In addition, scorpions will cross the screen at almost any point.

In this mode, the action exactly duplicates a typical game played by a moderately skilled player: the player's shooter moves freely within the limits of motion, shooting at spiders, centipedes, fleas and scorpions. Periodically the player is "destroyed" when a flea, spider or centipede head or body collides with the player's shooter.

All the colors on the screen change with each wave. A new wave occurs when the player shoots all centipede parts remaining on the screen. At this point, a new centipede starts snaking its way down from the top of the screen.

The attract mode differs from real game play in that no head figures are shown at the top of the screen to represent the number of lives remaining, no sounds are produced, no scores are incremented, and none of the four player controls work.

At any time when the game is powered up, if the slam switch is closed, you will hear a special alarm sound. This sound alerts location personnel that the game has been abused.

2. Ready-to-Play Mode

This mode begins when sufficient coins are accepted for a one- or two-player game. It ends when the 1-player start or 2-player start pushbutton is pressed. When this mode begins, the message *CREDITS __* is displayed in the middle of the screen. The pictures are otherwise the same as those shown in the attract mode.

If you select the two-credit minimum and a player inserts enough money for only one credit, the message *2 CREDITS MINIMUM* flashes on the screen until enough coins for the second credit are inserted.

In addition, *CREDITS 0½* is displayed if you have selected the option of two coins per credit, and the player has inserted only one coin. A "credit" is defined as the cost for each player to play one game. In other words, two credits will pay for:

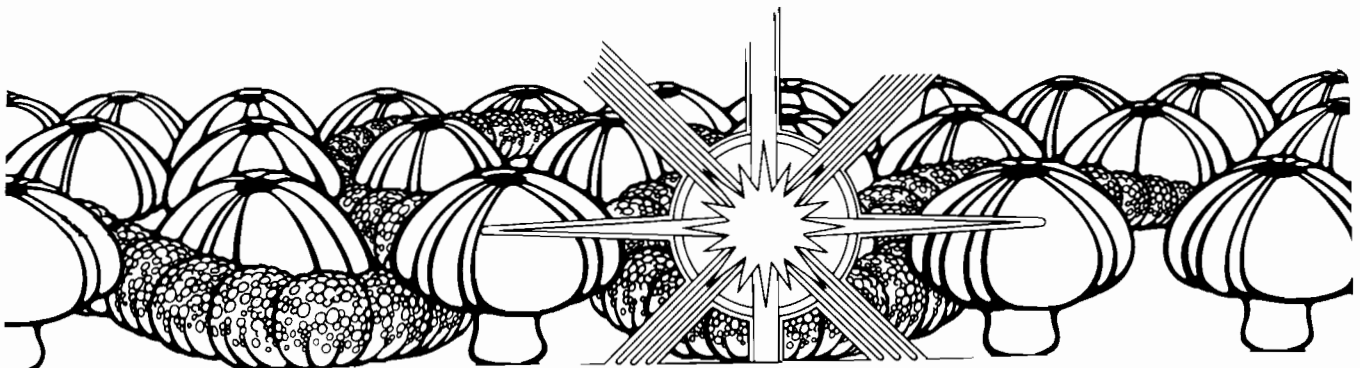
- one player playing two games, or
- two players playing one game.

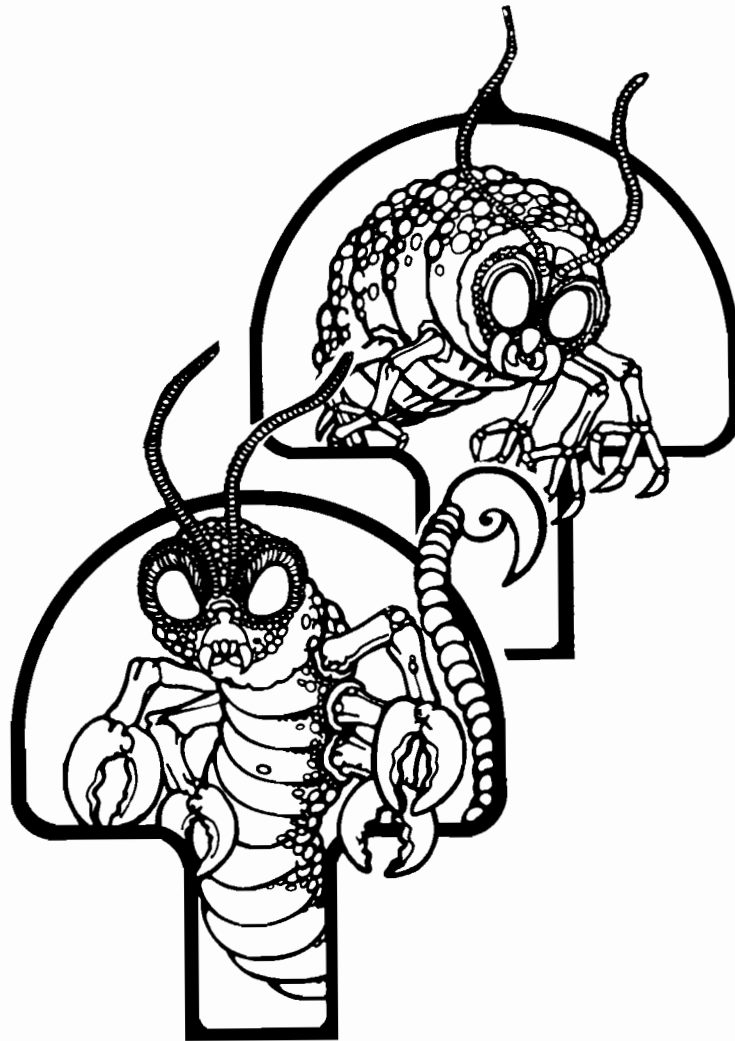
3. Play Mode

The play mode begins when any flashing start pushbutton is pressed. The mode ends when the player's last life is lost.

A player's shooter is enabled at the beginning of the play mode, and the audio starts. The appropriate LED start switch will then stay lighted until the end of the game. At this point it will flash if any credit remains.

The game begins with a playfield of randomly placed mushrooms. A centipede start snaking its way across from the center top of the screen. The centipede changes direction when it runs into a mushroom or either the left or right boundaries of the playfield.





When a centipede is shot, it breaks into two smaller ones, each with a head. Also the part of the centipede that was shot leaves a mushroom in its place on the screen. When any centipedes reach the bottom of the screen, they start back up, but remain within the area of the player's shooter (the bottom fifth of the screen).

When a large centipede (that hasn't been shot yet) reaches the bottom, it releases its tail, and this part changes into a new head. Also to provide player challenge, if a centipede is still alive when it reaches the bottom, new heads will enter the screen almost at the bottom of the sides. More of these heads will appear as time progresses.

The randomly moving spiders also appear in the first wave. The spiders can destroy a player, as well as any mushrooms they move over. This eliminates many mushroom targets for a player.

The player's shooter is moved by rotating the Mini-Trak Ball™ control. The shooter can be moved in all directions, but only within the bottom fifth of the screen. Pressing the fire button causes the shooter to fire shots upwards, either singly or in rapid-fire mode, if held down constantly.

Mushrooms count 1 point when shot, and a player must fire four shots into a mushroom before it is destroyed and disappears. Centipede body parts count 10 points each, and the elusive heads (represented with small eyes on them) are worth 100 points each. Spiders are worth 300, 600 or 900 points, depending on how close they are to the player when shot.

A bombardment of fleas starts in the second wave; as the fleas descend, they leave a trail of new mushrooms behind them.

In the second wave, the fleas appear when a certain number of mushrooms remains at the bottom of the screen. This number increases as the game progresses, meaning fleas appear more often later on in the game.

Fleas have a value of 200 points when shot, and players must hit them twice to destroy them (the first shot just speeds them up).

The scorpion enters from either side starting in the fourth wave; it moves at a relatively slow speed. Later it increases its speed. When shot, a scorpion counts 1000 points—the highest-value target of all.

As it travels across the screen, it "poisons" the mushrooms that it moves over and changes their colors. These mushrooms cause any centipedes that would collide with them to head straight towards the bottom of the screen, rather than continue snaking around. Players can stop a poisoned centipede by shooting its head.

In addition, these poisoned mushrooms as well as any partially shot mushrooms add 5 points to the player's score at the end of each life when the screen is resetting.

If the players are very skilled and earn at least 60,000 points, two things happen to increase player challenge: the fleas descend at a faster speed and the spiders restrict their movement to a smaller area at the bottom of the screen.

An important new feature of this game is the operator option for easy/hard game difficulty. In the *easy* game, the spider moves slowly up to a 5,000-point score, and then bounces at a higher speed. It also changes direction less often throughout the game than at the hard setting.

In the *hard* setting, the spider moves slowly only for the first 1,000 points, and then speeds up. It also changes direction more often throughout the game. In either setting, the spider always moves at a 45-degree angle or straight up and down.

Another operator option is the number of lives per game, ranging from 2 to 5 (see Figure 7 for switch settings). This number is displayed as small shooters at the top of the screen. The number is de-

creased by one each time a player is destroyed. The number is increased by one each time the player scores multiples of 10, 12, 15 or 20 thousand points, depending on the operator selection.

4. High Score Initial Mode

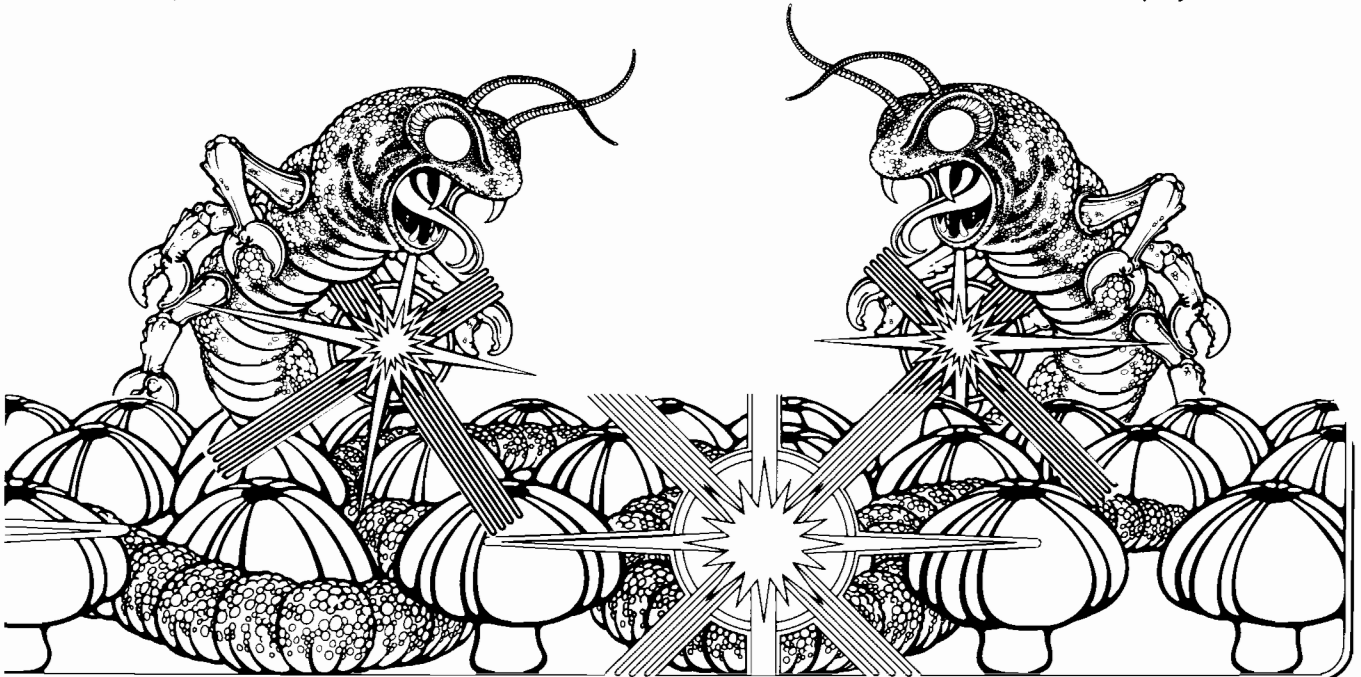
If a player's score exceeds the minimum on the high score initial list, he or she may put up to three initials on this list at the end of the game. At the beginning of this mode, the characters A ___ appear on the screen. The logic will also display the messages *GREAT SCORE* and *ENTER YOUR INITIALS*.

Players enter initials one character at a time, choosing from the characters A thru Z and a blank space. Pressing the first button selects the letter, and rolling the Trak Ball control changes the letters on the screen.

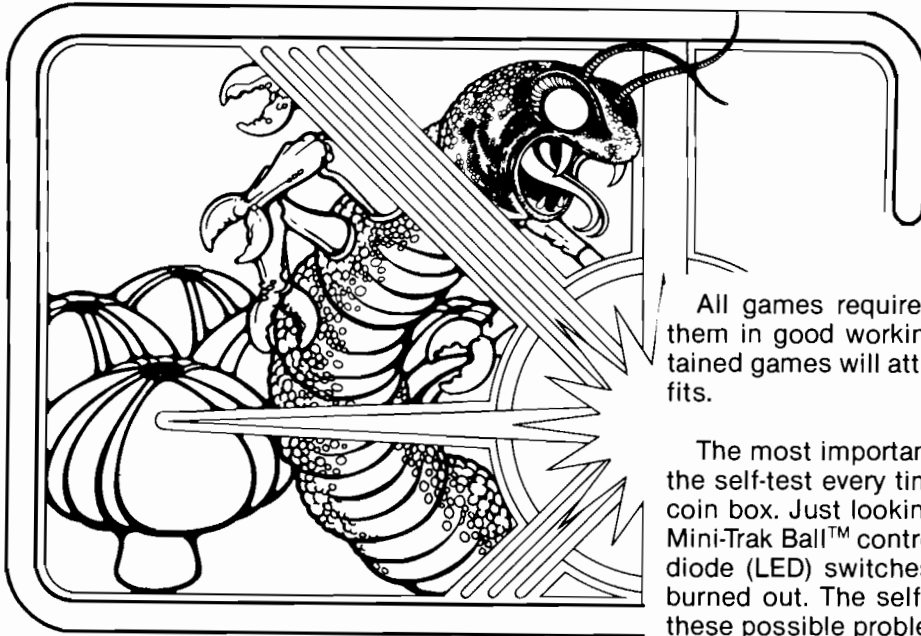
After the fire button is pressed the third time, the initials and score are transferred to the table. This table contains eight scores and appears during the attract and ready-to-play mode.

All but the highest three scores are erased whenever you enter the self-test, or press the RESET button on the game PCB, or turn off the power. The resetting replaces the lowest five scores with fictitious scores and initials.

If you erase the special "permanent" memory, the high score table is replaced with eight fictitious scores and initials. In other words, the table will always be displayed on the screen, possibly consisting of one or more realistic scores and players' initials.



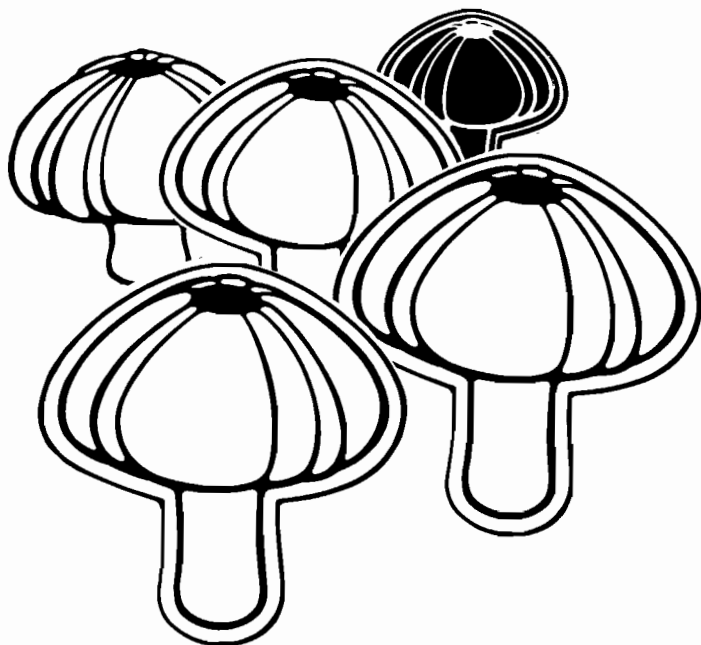
Maintenance and Repair



All games require certain maintenance to keep them in good working order. Clean, properly maintained games will attract players and earn more profits.

The most important maintenance item is running the self-test every time you collect money from the coin box. Just looking at a game will not tell you if Mini-Trak Ball™ control, leaf switch or light-emitting-diode (LED) switches are broken, or if LEDs have burned out. The self-test will inform you of any of these possible problems.

Second, you should regularly clean the outside of the game and the coin mechanisms. In addition, you will need to regularly lubricate the Mini-Trak Ball control: for details see this chapter.



To remove LED switch:

- Remove all wires from the faulty switch.
- Turn the switch counterclockwise while holding the black cone-shaped bushing on the outside of the control panel.
- Install a new switch using the reverse procedure.
- Reconnect the harness wires.

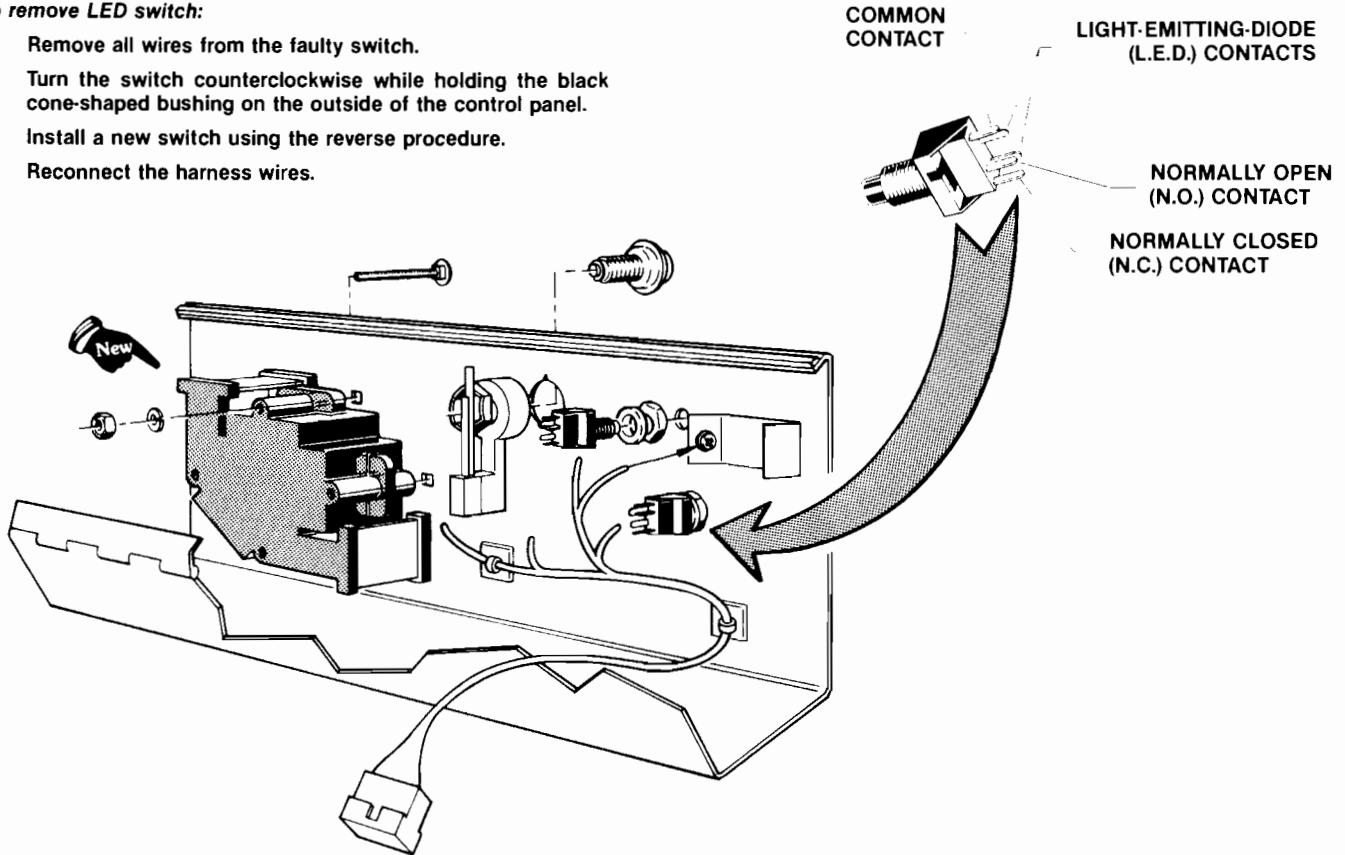


Figure 10 Opening the Control Panel and Replacing Switches

A. Cleaning

The exterior of the game cabinet and the metal and glass surfaces may be cleaned with any non-abrasive household cleaner. If desired, special coin machine cleaners that leave no residue can be obtained from your distributor.

Do not dry-wipe the attraction panels, because any dust can scratch the surface and result in fogging the plastic. The large monitor shield is made of tempered glass and should be scratch-resistant: if cleaned without abrasive substances, you should hardly ever have to replace it.

B. Fuse Replacement

This game contains six fuses—all on the power supply assembly (not including the monitor fuses). Replace fuses only with the same type as listed in Figure 22 of this manual. See the color monitor manual for the monitor fuse data.

C. The Control Panel

Prior to repairing or replacing any switch or the Mini-Trak Ball™ on the control panel, unplug the game. Then open the coin door.

Reach through the coin-door opening and open the luggage-style latch, located at each end on the underside of the control panel (see Figure 10). Lift up on the control panel at the topmost edge and tilt it towards you.

The edge of the control panel next to the monitor shield has foam tape applied to it. This tape acts as a cushion for the glass and prevents spilled liquids from entering the cabinet interior. Always make sure this tape is in good condition.

When reinstalling the switches or Mini-Trak Ball control, reconnect the harness wires as shown in Figure 11. **Make sure the right colors go to the tabs on the switches and the right connectors go to the PCBs on the Mini-Trak Ball.**

1. LED Switch Replacement

The light-emitting diode (LED) switches on the control panel have a very low failure rate. In case a switch should ever be suspect, first test it per the description that follows. To replace the switch, refer to Figure 10.

- Remove the wires from the suspected switch.
- Set multimeter to ohms scale. Set ohms scale to $R \times 1$, then zero the meter.
- Connect multimeter leads to appropriate LED switch contacts (see Figure 10 for designation of switch contacts).
- Check contacts (push and release the switch button) for closed and open continuity.
- If the contacts do not operate sharply or always remain closed or open, then replace the LED switch as outlined in the figure.

2. Leaf-Switch Replacement

NOTE

Adjust switch for a narrow gap. When a switch button is depressed, the resulting wiping action of the contacts provides a self-cleaning feature.

The leaf switch on this game operates on 5 volts at a very low current. Therefore, pitting of the switch would be extremely rare. Probably the only reason

that pitting would occur is that the game is in a very high-humidity location.

Don't burnish the switch contacts. Burnishing them removes their plating, thus increasing the corrosion of the contacts. **The best method of cleaning the switch contacts is to wipe them with a non-abrasive surface.** A business card works very well.

To replace the switch, remove both of its screws with a Phillips-head screwdriver—see Figure 10.

If the white button itself needs to be replaced, turn the stamped nut with a wrench in a counter-clockwise direction, as seen from the inside of the control panel. The white ring on the outside of the control panel should not spin, due to its design.

3. Mini-Trak Ball™ Maintenance and Repair



The Mini-Trak Ball™ control requires lubrication of its bearings approximately every 3 months or every 6,000 credits. To lubricate or repair the control, remove it from the control panel and disassemble as illustrated in Figure 12.

Use *only 2 drops* of 3-in-One® oil in each of the six bearings of the Mini-Trak Ball™ control.

For further instructions on how to replace the ball, either coupler PCB or either encoding wheel, see Figure 12.

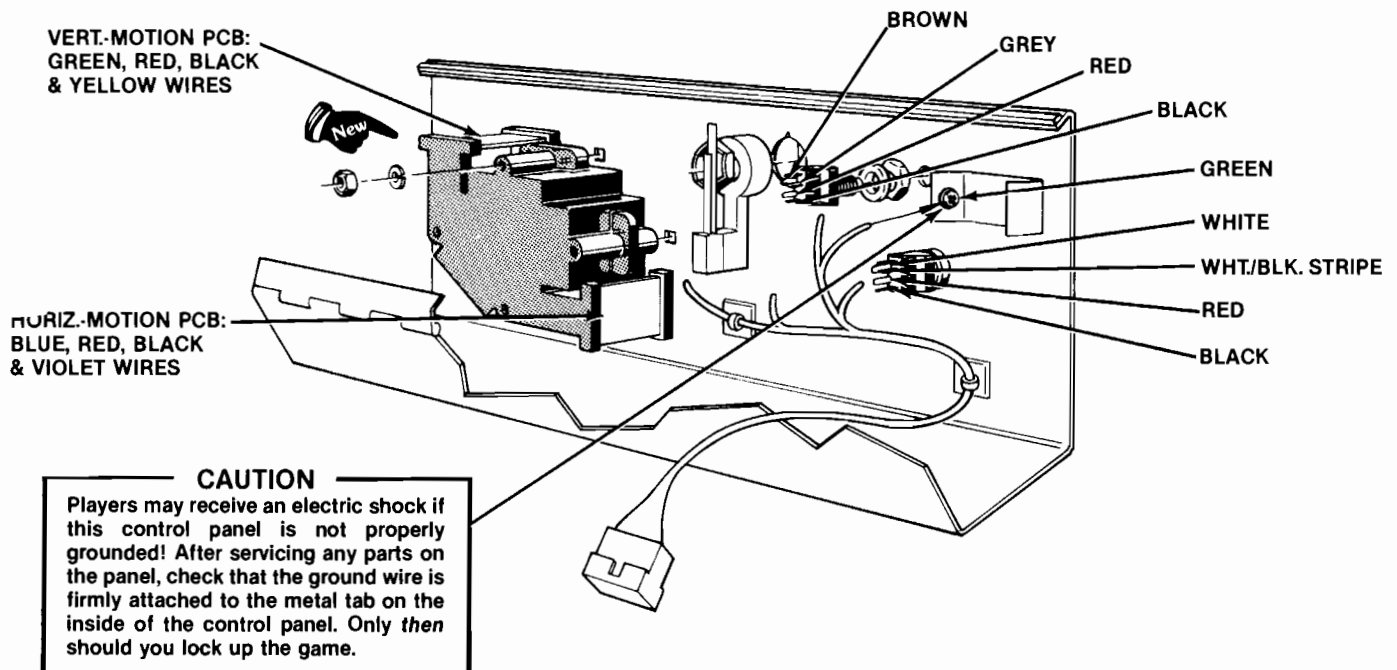
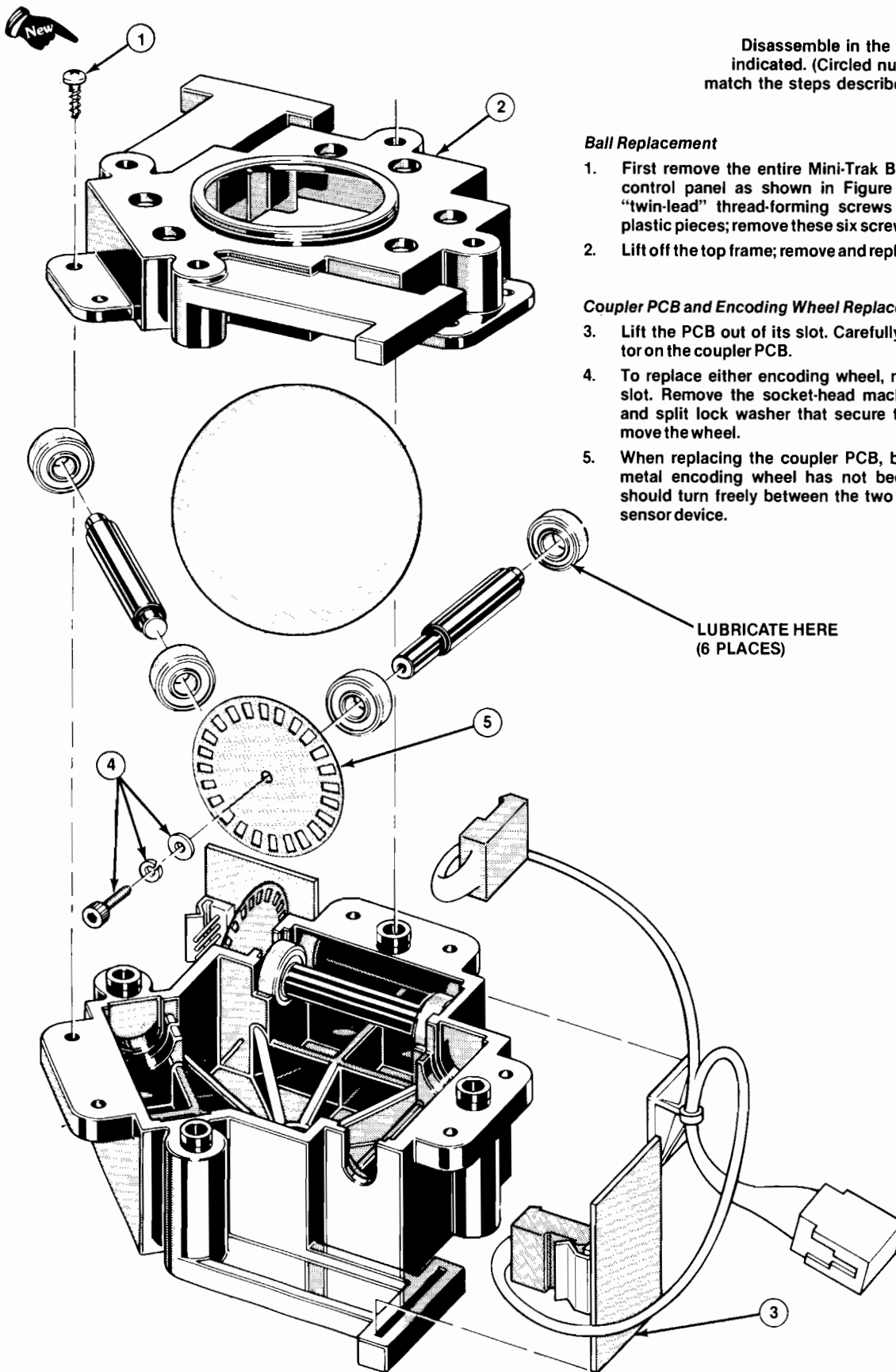


Figure 11 Control Panel Wiring



Disassemble in the order indicated. (Circled numbers match the steps described below.)

Ball Replacement

1. First remove the entire Mini-Trak Ball™ assembly from the control panel as shown in Figure 11. Now locate the six "twin-lead" thread-forming screws in the black frames or plastic pieces; remove these six screws.
2. Lift off the top frame; remove and replace the ball.

Coupler PCB and Encoding Wheel Replacement

3. Lift the PCB out of its slot. Carefully unplug the red connector on the coupler PCB.
4. To replace either encoding wheel, remove the PCB from its slot. Remove the socket-head machine screw, flat washer, and split lock washer that secure the encoding wheel. Remove the wheel.
5. When replacing the coupler PCB, be certain that the black metal encoding wheel has not been bent or damaged. It should turn freely between the two halves of the red photo-sensor device.

LUBRICATE HERE
(6 PLACES)

Figure 12 Mini-Trak Ball™ Maintenance and Repair

D. Monitor Removal

The following procedure should only be performed by a **qualified service technician**.

WARNING

Shock Hazard

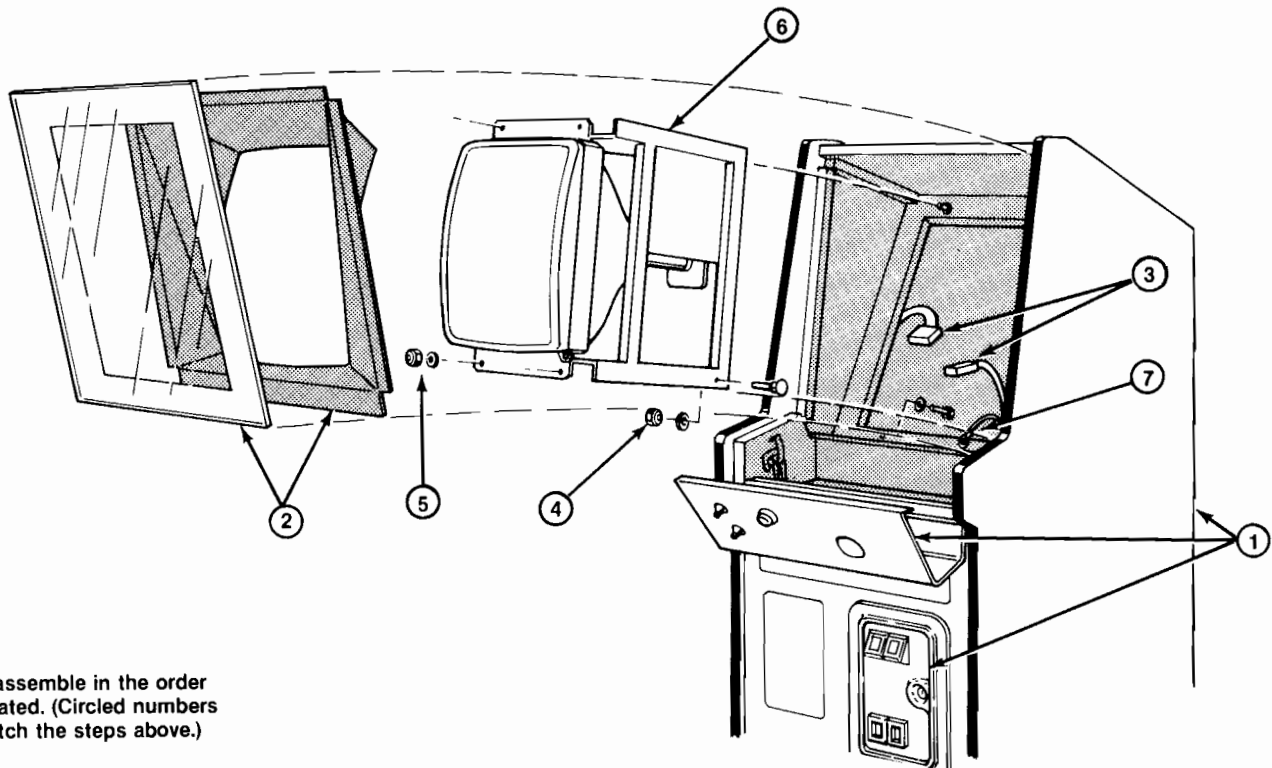
High voltages may exist in any television or monitor, even with power disconnected. Use extreme caution and do not touch electrical parts of the yoke area with your hands or with metal objects in your hands!

Implosion Hazard

If you drop the monitor and the picture tube breaks, **it will implode!** Shattered glass and the yoke can fly 6 feet or more from the implosion. Use care when replacing any monitor.

To remove the color monitor, follow steps 1 thru 7. Refer to the accompanying Figure 13.

1. **Be sure the game is unplugged from its wall outlet!** Unlock and open the rear access panel, coin door, and control panel.
2. Remove the glass monitor shield. Carefully remove the two staples that secure the blue cardboard bezel. As an extra precaution, we highly recommend you discharge the high voltage from the picture tube.
3. Standing at the rear opening of the game, locate the 2-pin and 6-pin harness connectors for the monitor. Unplug both of these.
4. At the bottom rear of the monitor chassis are a self-locking hex nut, flat washer, and carriage bolt that secure the rear part of the chassis to a large metal bracket. Remove this hardware.
5. From the front of the cabinet, locate the flat washers and self-locking hex nuts (two sets underneath, and two sets above the monitor screen). This hardware attaches the monitor to the cabinet. Remove this hardware.
6. Carefully pull the monitor chassis out of the cabinet towards you.
7. When reinstalling the monitor, be certain that you **securely attach the ground wire to the bottom right machine screw**.



Disassemble in the order indicated. (Circled numbers match the steps above.)

Figure 13 Monitor Removal

E. Printed-Circuit Board Removal

You may wish to remove the Centipede™ game printed circuit board (PCB) or the Regulator/Audio II PCB for service or inspection. To do this, refer to Figure 14 and proceed as follows:

1. Game PCB Removal

- Unlock and open the rear access panel.
- Remove the 24- and 44-pin edge connectors from the right side of the game PCB.
- Locate the Phillips-head screw that extends through the PCB and into the wood block (at the right side of the board). Remove and save this screw, as well as the fiber spacers.
- Remove the PCB from the cabinet by carefully sliding it straight out of the plastic PCB retainer. Be careful not to twist the board, as this may loosen connections or components. Replace or repair as necessary.

- After servicing, reinstall the PCB, making sure that the two edge connectors are properly plugged in. Note that the connectors are keyed to fit on only one way, so if they don't slip on easily, don't force them! **A reversed connector will probably damage your PCB** and will void the warranty.
- Check that the operation of the game is correct by **performing the self-test**. It is especially important to do the self-test with any game when you replace a PCB.

2. Regulator/Audio II PCB Removal

- Unlock and open the rear access panel.
- Remove the five plug-in connectors on the Regulator/Audio II PCB. Note that all of these connectors are keyed for proper orientation.
- Locate the Phillips-head screw that extends through the PCB and into the wood behind the PCB. Remove and save this screw and the two fiber spacers.
- Remove the PCB from the interior wall of the cabinet by carefully sliding it straight out of the plastic PCB retainer. Again, be careful not to twist the board. Replace or repair as necessary.

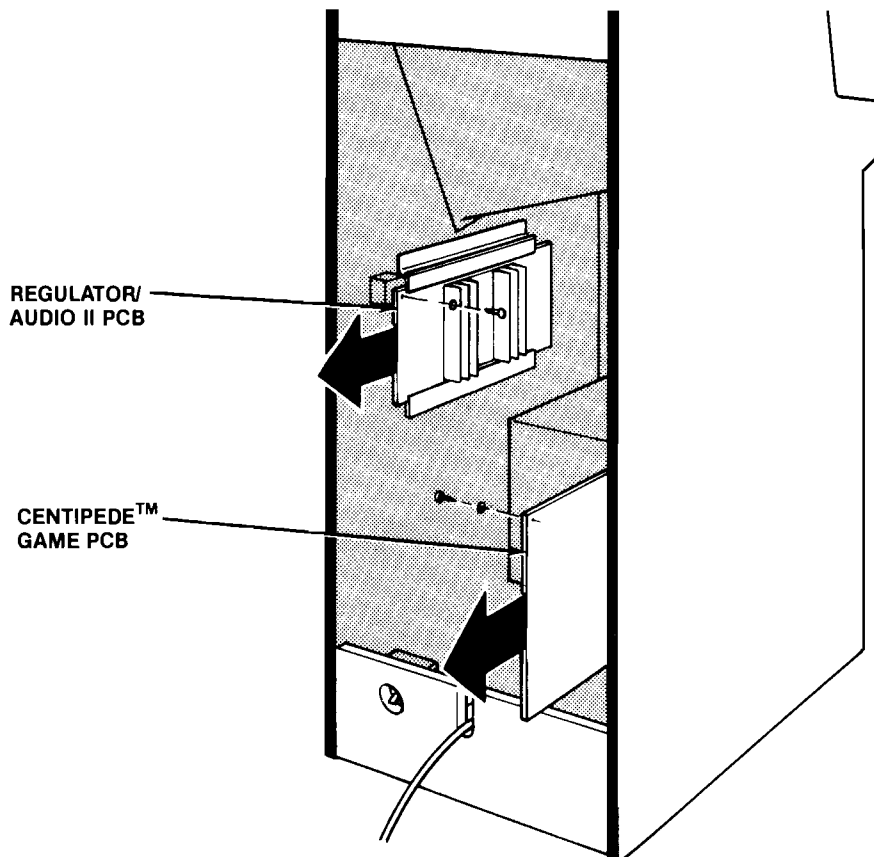
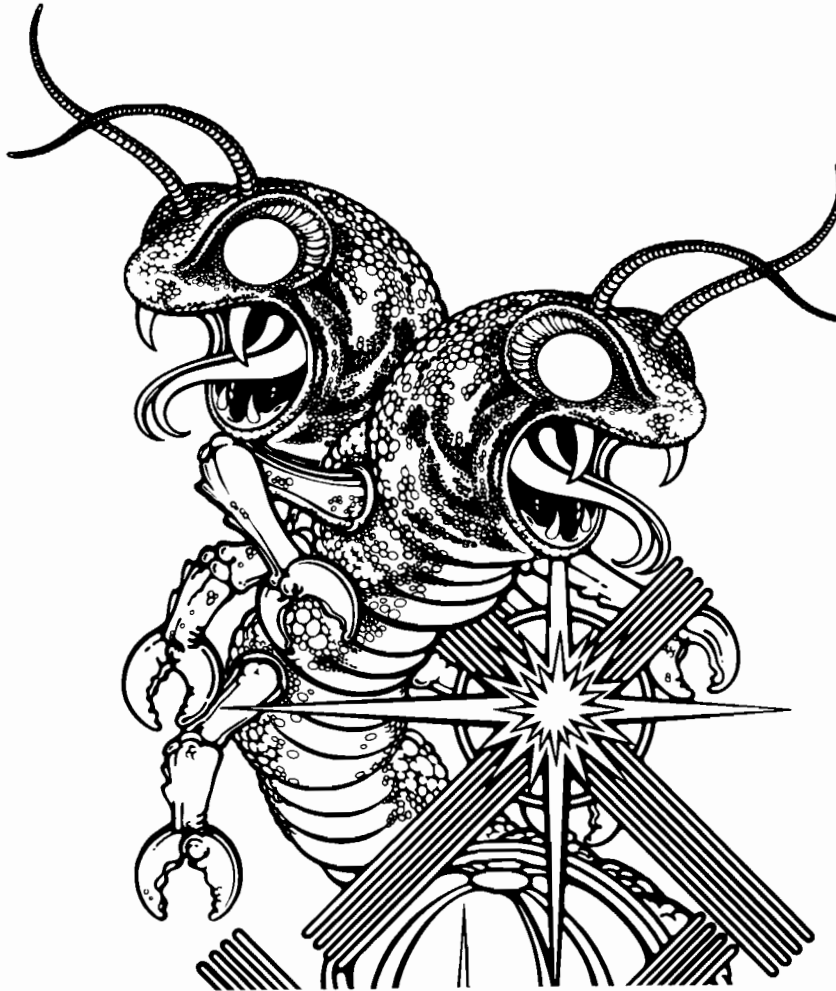


Figure 14 Printed-Circuit Board Removal



F. Game Operation

With this manual you received two large sheets that contain the wiring and schematic diagrams for the Centipede™/Cabaret™ game. Sheet 1, Side A, includes a "table of contents" that shows the arrangement of these diagrams. They explain the functions of the circuits; the diagrams also define inputs and outputs.

Atari's Centipede™ game is microprocessor-controlled. The microprocessor is mounted on the game PCB. The game PCB receives switch inputs from the control panel and coin door. These inputs are processed by the game PCB and output to the monitor, Regulator/Audio II PCB, loudspeaker, and control panel.

The Regulator/Audio II PCB performs two functions: 1) it regulates the +10 VDC from the power supply to +5 VDC, and 2) it amplifies the audio output from the game PCB. The +5 VDC from the Regulator/Audio II PCB provides most logic power to the game PCB. The audio output from the Regulator/Audio II PCB directly drives the game speaker and is controlled by the volume control, mounted on the bracket inside the coin door.

The power supply is the source of all voltages in the game. These voltages are protected by three fuses (F3, F4 and F5) on the power supply chassis. The primary winding of the power supply transformer is protected by the fuses F1 and F2 on the power-supply chassis.

Figure 15 illustrates the distribution of power in this game. Figure 16 illustrates the distribution of signals.

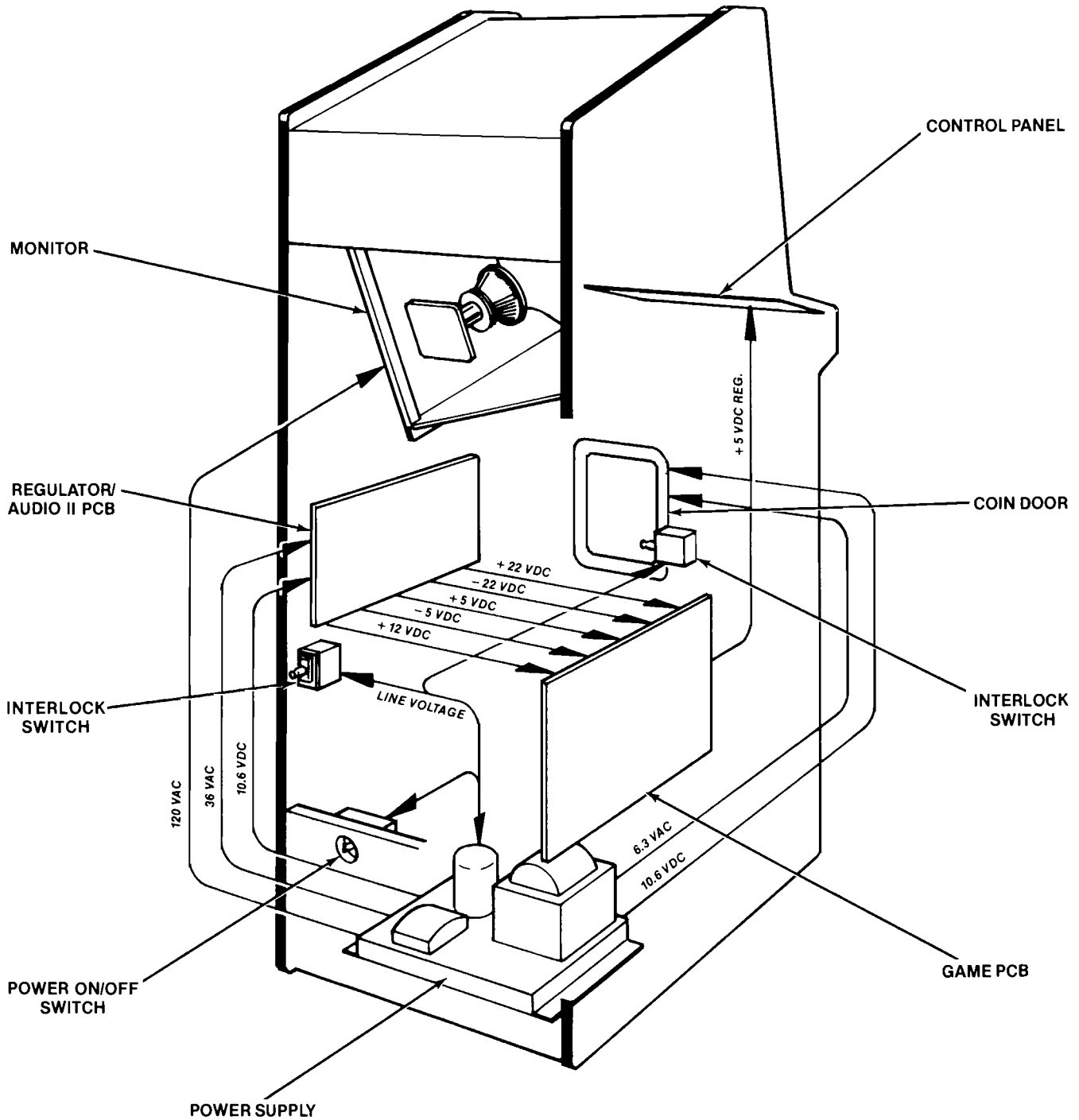


Figure 15 Power Distribution

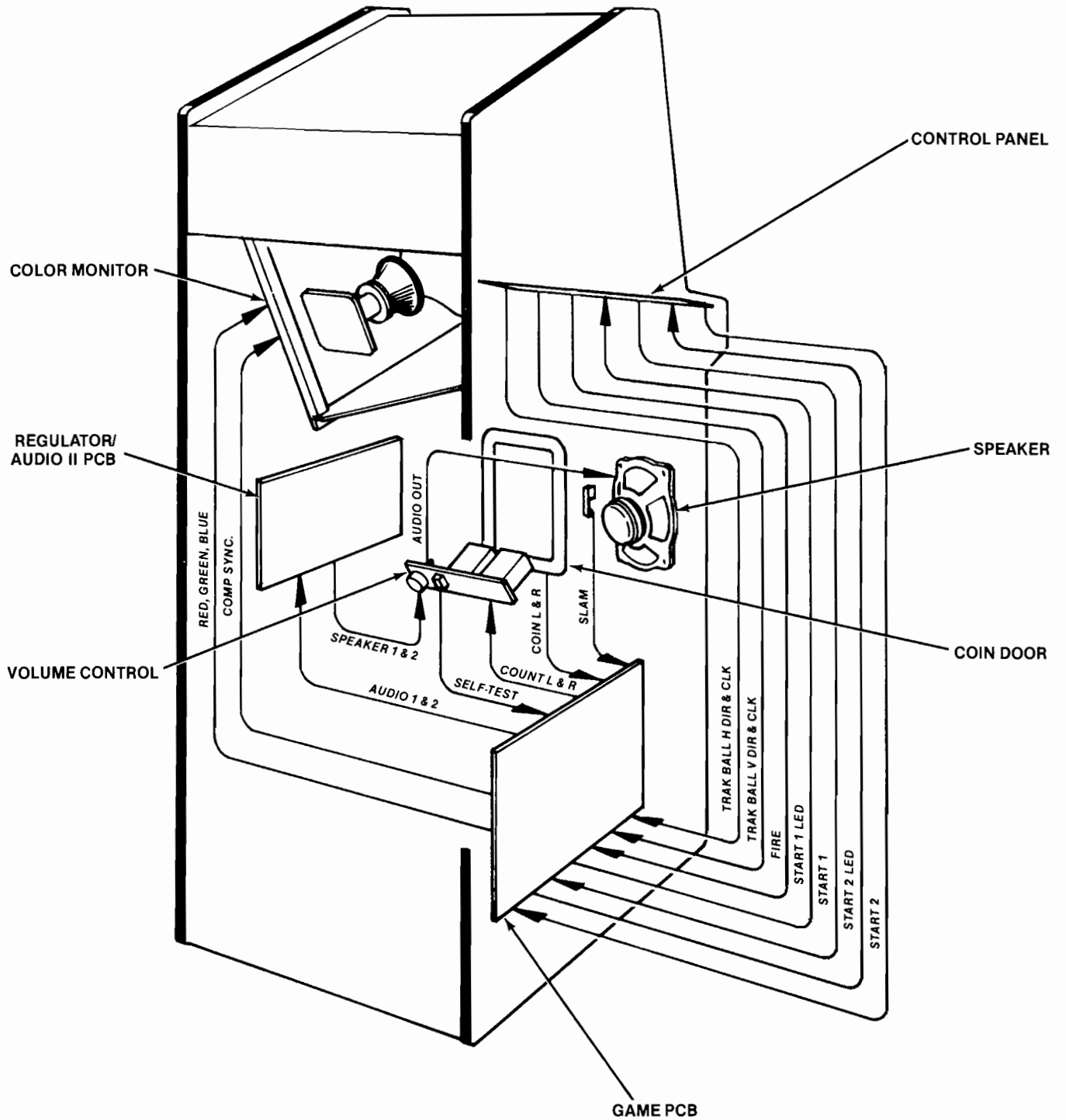
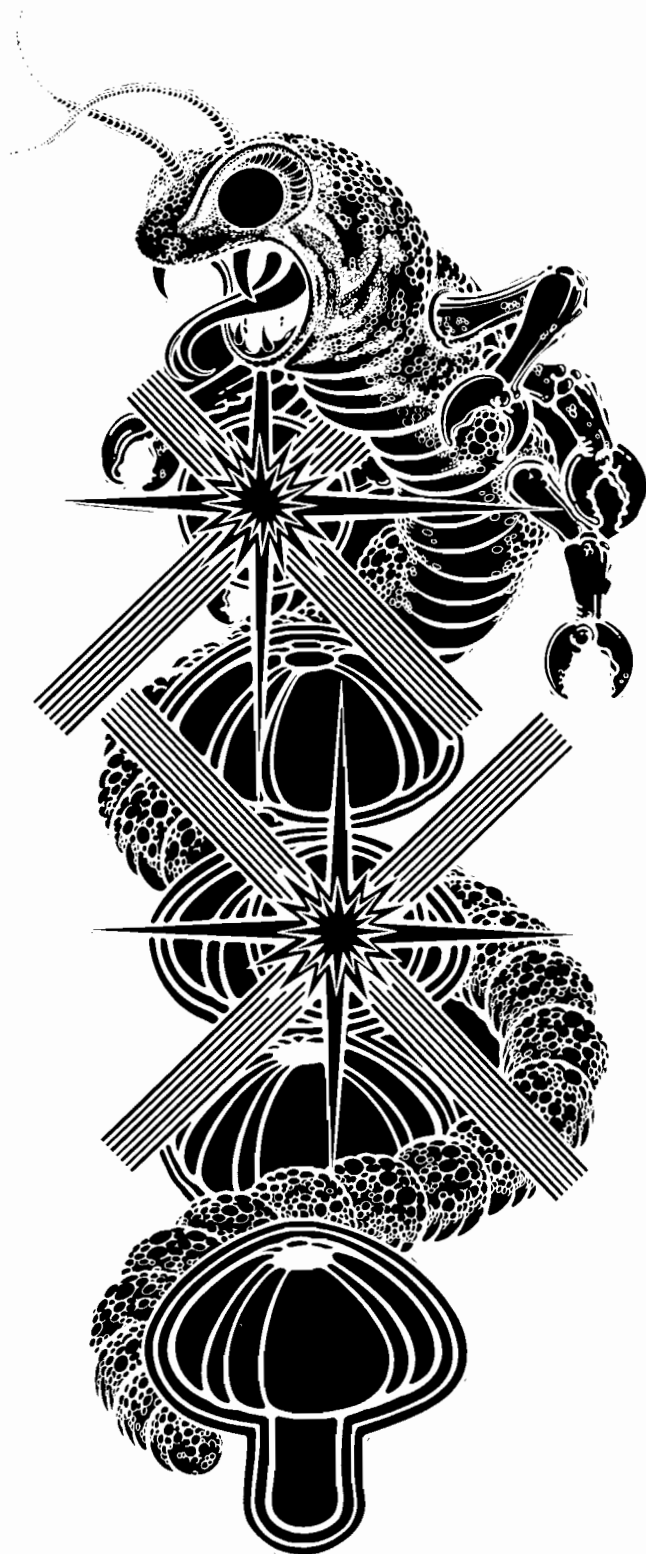


Figure 16 Signal Distribution

Illustrated Parts Lists

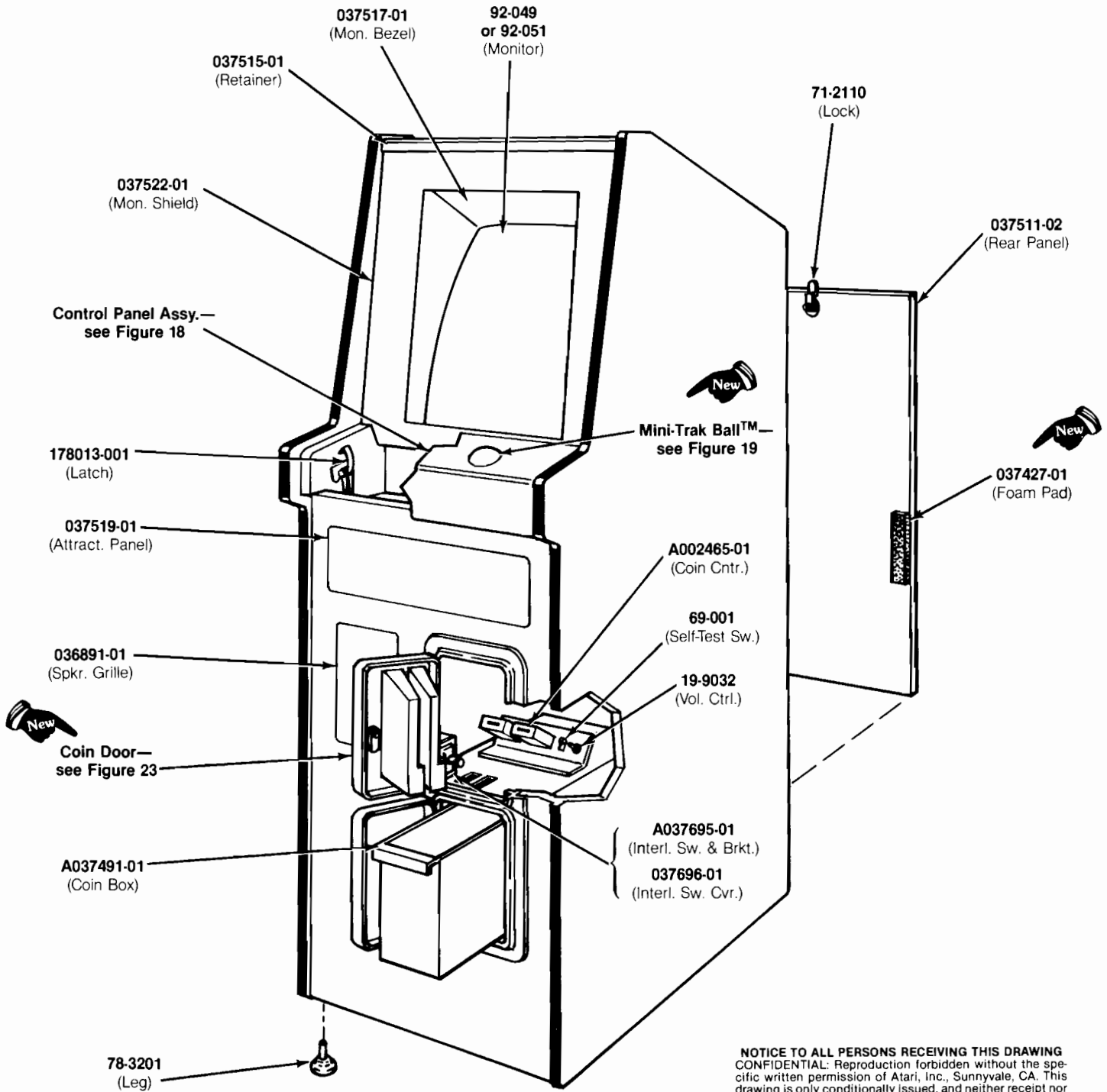


This chapter provides you with the necessary information for ordering replacement parts for your Centipede™ game. Please note that, for simplicity, **common hardware has been deleted** from most of these parts lists. This includes screws, nuts, washers, bolts, etc.

The parts lists are arranged in alphanumeric order. For example, all "A-" prefix numbers come first. Following this are numbers in sequence evaluated up to the hyphen, namely 00- thru 99-, then 000598- thru approximately 190000-.

When ordering parts from your distributor, give the part number, part name, applicable figure number of this manual, and serial number of your game. This will help to avoid confusion and mistakes in your order. We hope the results will be less downtime and more profit from your game.

3

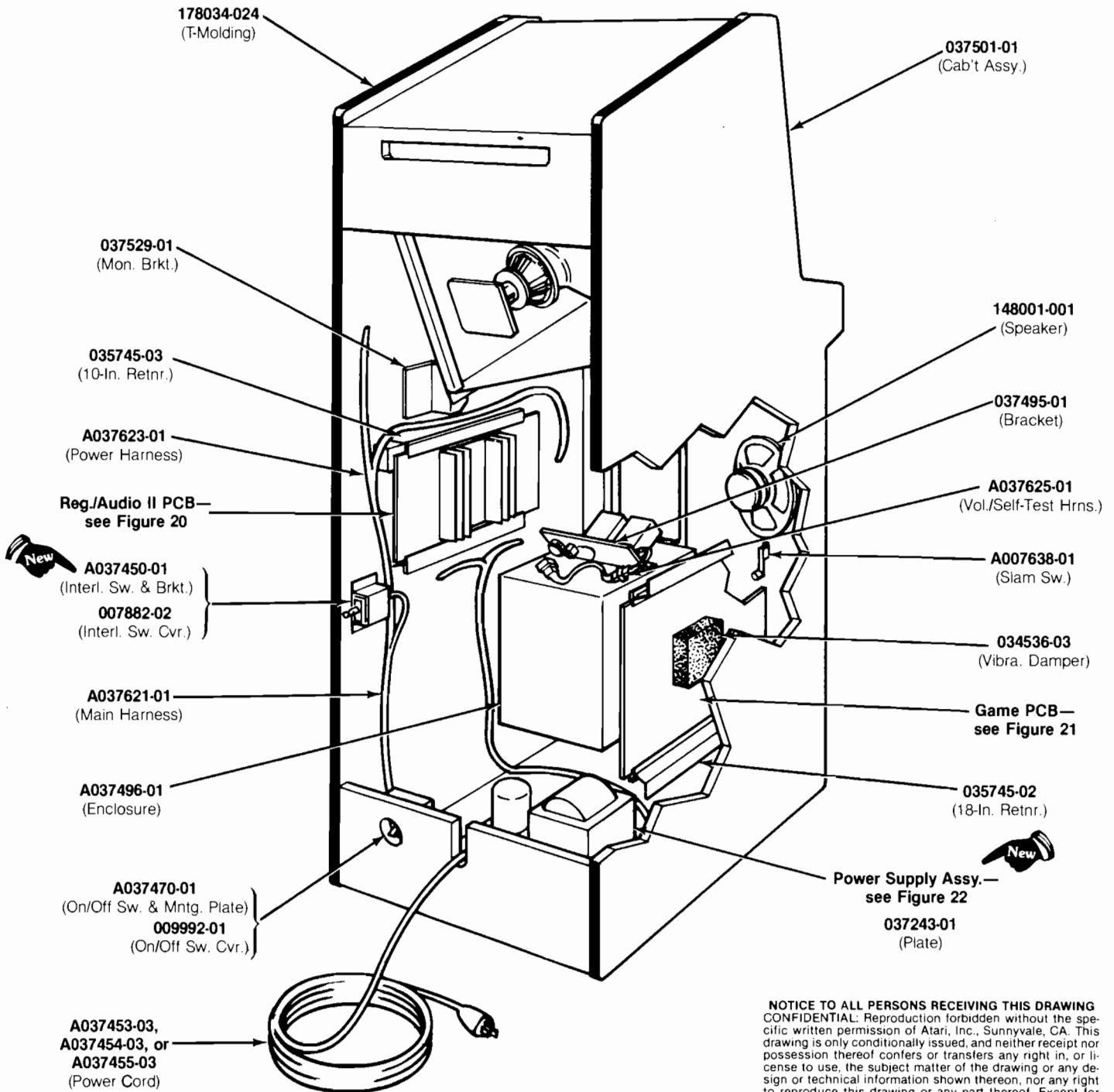


NOTICE TO ALL PERSONS RECEIVING THIS DRAWING
 CONFIDENTIAL: Reproduction forbidden without the specific written permission of Atari, Inc., Sunnyvale, CA. This drawing is only conditionally issued, and neither receipt nor possession thereof confers or transfers any right in, or license to use, the subject matter of the drawing or any design or technical information shown thereon, nor any right to reproduce this drawing or any part thereof. Except for manufacture by vendors of Atari, Inc., and for manufacture under the corporation's written license, no right is granted to reproduce this drawing or the subject matter thereof, unless by written agreement with or written permission from the corporation.

Figure 17 Cabinet-Mounted Assemblies
A037500-xx A

Schematics, Self-Test Label & Manuals—
see parts list on following page

036686-01
(Game Pricing Labels—
not shown for clarity)



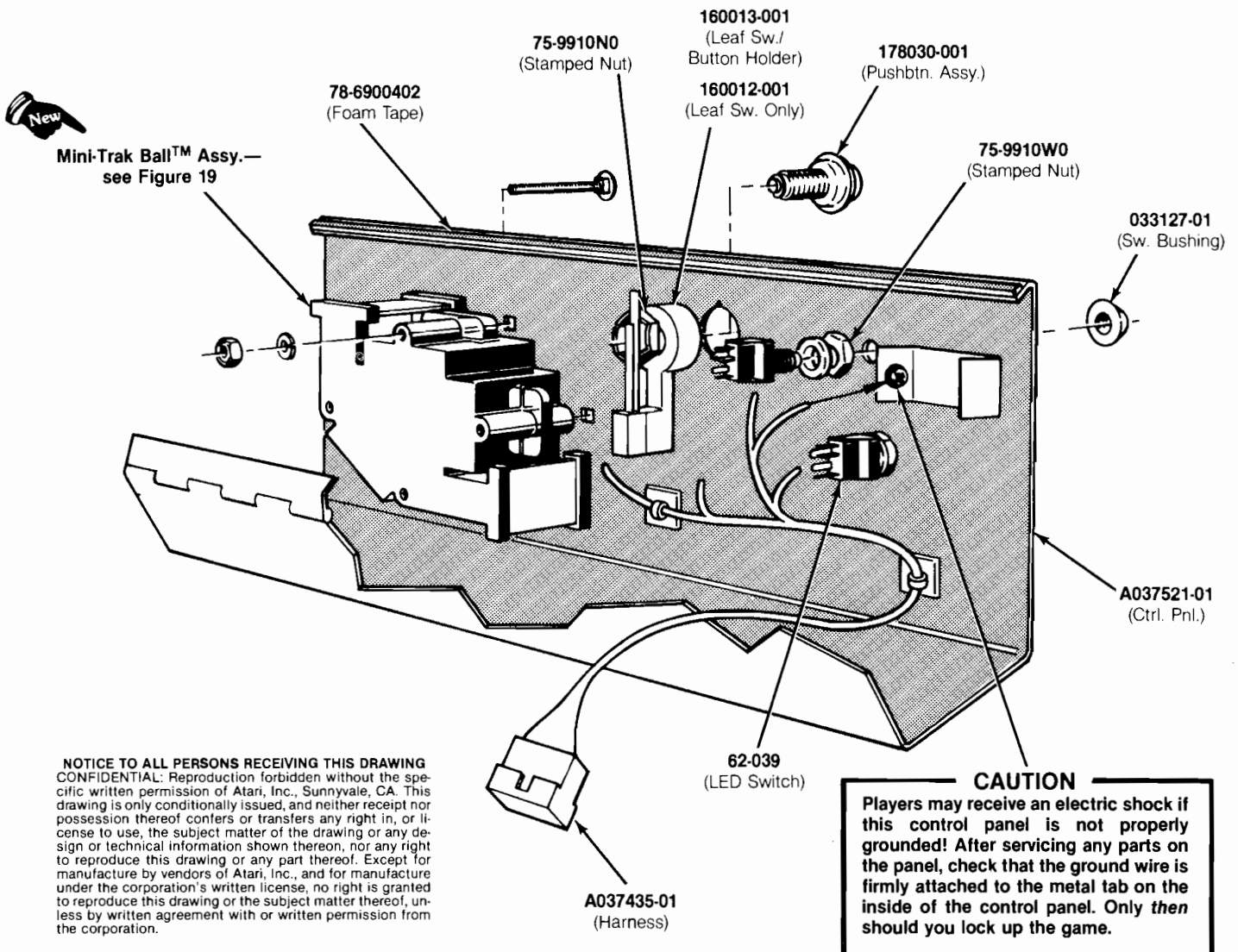
NOTICE TO ALL PERSONS RECEIVING THIS DRAWING
CONFIDENTIAL: Reproduction forbidden without the specific written permission of Atari, Inc., Sunnyvale, CA. This drawing is only conditionally issued, and neither receipt nor possession thereof confers or transfers any right in, or license to use, the subject matter of the drawing or any design or technical information shown thereon, nor any right to reproduce this drawing or any part thereof. Except for manufacture by vendors of Atari, Inc., and for manufacture under the corporation's written license, no right is granted to reproduce this drawing or the subject matter thereof, unless by written agreement with or written permission from the corporation.

Figure 17 Cabinet-Mounted Assemblies
A037500-xx A

Figure 17 Cabinet-Mounted Assemblies, continued Parts List

Part No.	Description
A002465-01	Coin Counter
A007638-01	Slam Switch Assembly
A037450-01	Interlock Switch/Bracket Assembly <i>(modified for safety—for rear access panel)</i>
A037453-03	Strain-Relief Power Cord <i>(U.S.)</i>
A037454-03	Strain-Relief Power Cord <i>(Austria, Belgium, Chile, Denmark, Finland, France, Germany, Greece, Indonesia, Italy, Netherlands, Norway, Spain, Sweden, and Uruguay)</i>
A037455-03	Strain-Relief Power Cord <i>(Australia and New Zealand)</i>
A037470-01	Power On/Off Switch/Mounting Plate Assembly
A037491-01	Coin Box
A037496-01	Coin Box Enclosure
A037621-01	Main Harness Assembly
A037623-01	Power Harness Assembly
A037625-01	Harness for Volume Control/Self-Test Switch/Coin Counter Assembly
A037695-01	Interlock Switch/Bracket Assembly <i>(modified for safety—for coin door)</i>
<i>The following six items are the technical information supplements to this game:</i>	
DP-189-01	Centipede™/Cabaret™ Schematic Drawings <i>(Sheet 1)</i>
DP-189-02	Centipede/Cabaret Schematic Drawings <i>(Sheet 2)</i>
ST-189	Centipede/Cabaret Label with Self-Test Procedure and Option Switch Settings
TM-160	Instruction and Service Manual for 19-Inch Electrohome Color Monitor, or
TM-168	Instruction and Service Manual for 19-Inch Wells-Gardner Color Monitor
TM-189	Centipede/Cabaret Operation, Maintenance and Service Manual
19-9032	Volume Control
69-001	DPDT Self-Test Slide Switch
71-2110	Panel Cartridge Lock Mechanism <i>(for rear access panel)</i>
75-07017	Spacer for Mounting Printed Circuit Boards
78-24012	5-Inch Beaded Nylon Tie Wrap <i>(for game PCB edge connectors)</i>
78-3201	Cabinet-Leveling Leg
92-049	19-Inch Electrohome Color Raster-Scan Monitor, or
92-051	19-Inch Wells-Gardner Color Raster-Scan Monitor
007882-02	Interlock Switch Cover
009992-01	On/Off Switch Cover
034536-03	Foam Vibration Damper <i>(for both PCBs)</i>
035745-02	18-Inch Plastic PCB Retainer
035745-03	10-Inch Plastic PCB Retainer
036686-01	Card of Game Pricing Labels
036891-01	Speaker Grille
037243-01	Metal Base Plate <i>(located underneath power supply)</i>
037427-01	Rear Access Panel Foam Pad
037495-01	Bracket for Volume Control, Self-Test Switch and Coin Counter(s)
037501-01	Cabinet Assembly <i>(includes legs and PCB retainers, but not the rear access panel)</i>
037511-02	Rear Access Panel <i>(does not include lock)</i>
037515-01	Upper Monitor-Shield Retainer
037517-01	Blue Cardboard Monitor Bezel
037519-01	Attraction Panel with Graphics
037522-01	Monitor Shield with Graphics
037529-01	Monitor Bracket <i>(located above Regulator/Audio II PCB)</i>
037696-01	Interlock Switch Cover <i>(for coin door)</i>
148001-001	6 × 9-Inch 4-Ohm 15-Watt Oval High-Fidelity Speaker
178013-001	Spring Draw Latch
178034-024	¾-Inch-Wide Black Plastic T-Molding

NOTE: Graphics decal is
not field-replaceable.



NOTICE TO ALL PERSONS RECEIVING THIS DRAWING
CONFIDENTIAL: Reproduction forbidden without the specific written permission of Atari, Inc., Sunnyvale, CA. This drawing is only conditionally issued, and neither receipt nor possession thereof confers or transfers any right in, or license to use, the subject matter of the drawing or any design or technical information shown thereon, nor any right to reproduce this drawing or any part thereof. Except for manufacture by vendors of Atari, Inc., and for manufacture under the corporation's written license, no right is granted to reproduce this drawing or the subject matter thereof, unless by written agreement with or written permission from the corporation.

**Figure 18 Control Panel Assembly
A037505-01 A
Parts List**

Part No.	Description
A037435-01	Control-Panel Harness
A037521-01	Control Panel with Graphics Decal
62-039	SPDT Momentary-Contact Pushbutton Start Switch with Red Light-Emitting Diode
75-9910N0	# $\frac{5}{16}$ -11 Steel Stamped Nut
75-9910W0	# $\frac{1}{32}$ -32 Steel Stamped Nut
78-6900402	Vinyl Foam Single-Coated-Adhesive Tape, $\frac{1}{4}$ -Inch wide \times $\frac{1}{8}$ -Inch thick (19 in. required)
033127-01	Black Molded Switch Bushing
160013-001	Leaf Switch and Button Holder (leaf switch only is part no. 160012-001)
178030-001	Pushbutton Assembly

NOTICE TO ALL PERSONS RECEIVING THIS DRAWING
CONFIDENTIAL. Reproduction forbidden without the specific written permission of Atari, Inc., Sunnyvale, CA. This drawing is only conditionally issued, and neither receipt nor possession thereof confers or transfers any right in, or license to use, the subject matter of the drawing or any design or technical information shown thereon, nor any right to reproduce this drawing or any part thereof. Except for manufacture by vendors of Atari, Inc., and for manufacture under the corporation's written license, no right is granted to reproduce this drawing or the subject matter thereof, unless by written agreement with or written permission from the corporation.

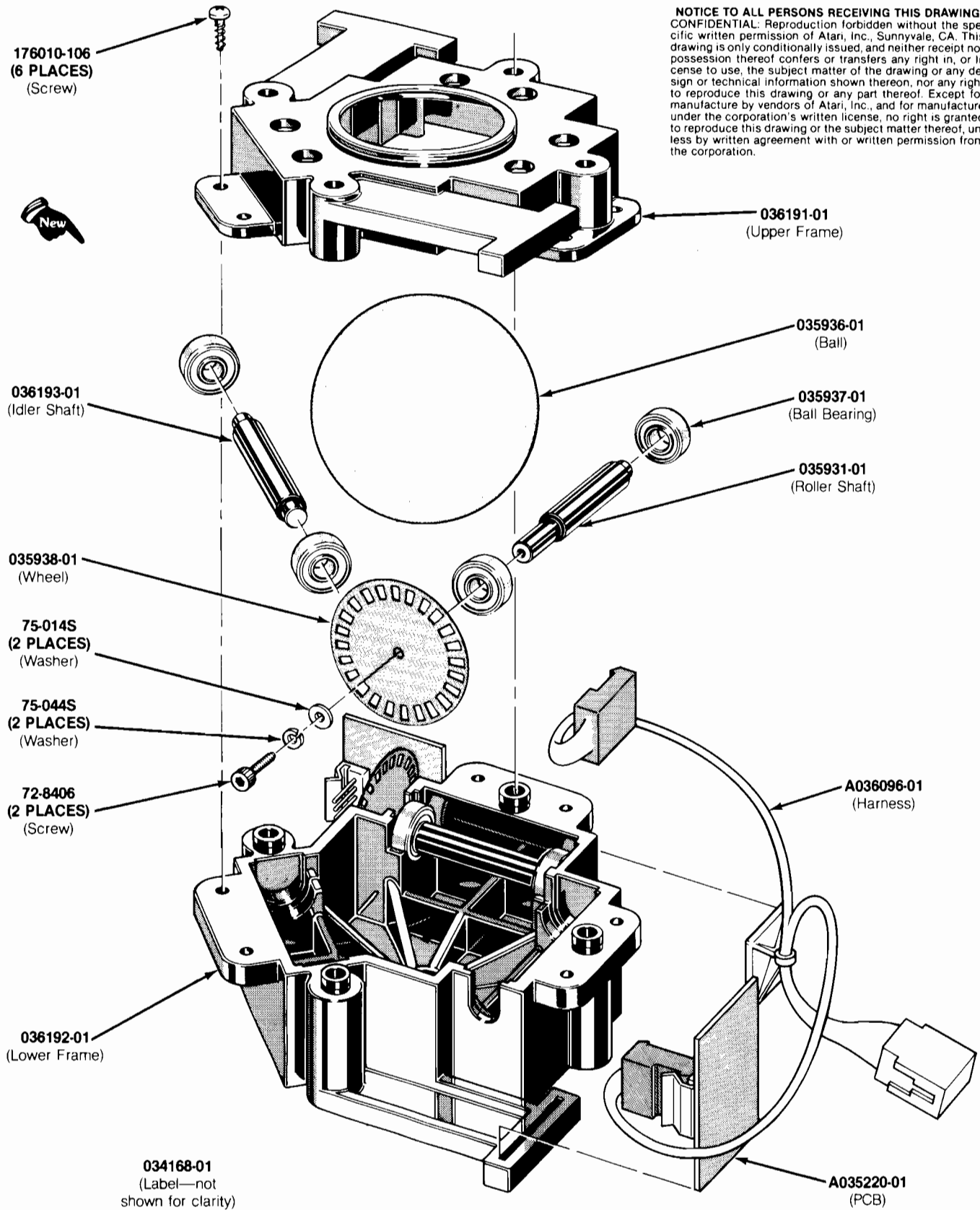


Figure 19 Mini-Trak Ball™ Assembly
A036190-01 A

Figure 19 Mini-Trak Ball™ Assembly Parts List

<i>Part No.</i>	<i>Description</i>
A035220-01	Coupler PCB Assembly
A036096-01	Harness Assembly
72-8406	#4-40 × 3/8-Inch Hex Socket-Head Cap Alloy Steel Machine Screw
75-014S	#4 Flat Plain SAE-Standard Zinc-Plated Steel Washer
75-044S	#4 Zinc-Plated Steel Split Lock Washer
034168-01	Label with Lubrication Instructions
035931-01	Roller Shaft (2 per assembly)
035936-01	Mini-Trak Ball™
035937-01	Ball Bearing (6 per assembly)
035938-01	Etched Encoding Wheel
036191-01	Upper Black Plastic Frame
036192-01	Lower Black Plastic Frame
036193-01	Idler Shaft (1 per assembly)
176010-106	#8 × 3/8-Inch Cross-Recessed Pan-Head Thread-Forming Twin-Lead Zinc-Plated Steel Screw

NOTICE TO ALL PERSONS RECEIVING THIS DRAWING
 CONFIDENTIAL: Reproduction forbidden without the specific written permission of Atari, Inc., Sunnyvale, CA. This drawing is only conditionally issued, and neither receipt nor possession thereof confers or transfers any right in, or license to use, the subject matter of the drawing or any design or technical information shown thereon, nor any right to reproduce this drawing or any part thereof. Except for manufacture by vendors of Atari, Inc., and for manufacture under the corporation's written license, no right to reproduce this drawing is granted or the subject matter thereof unless by written agreement with or written permission from the corporation.

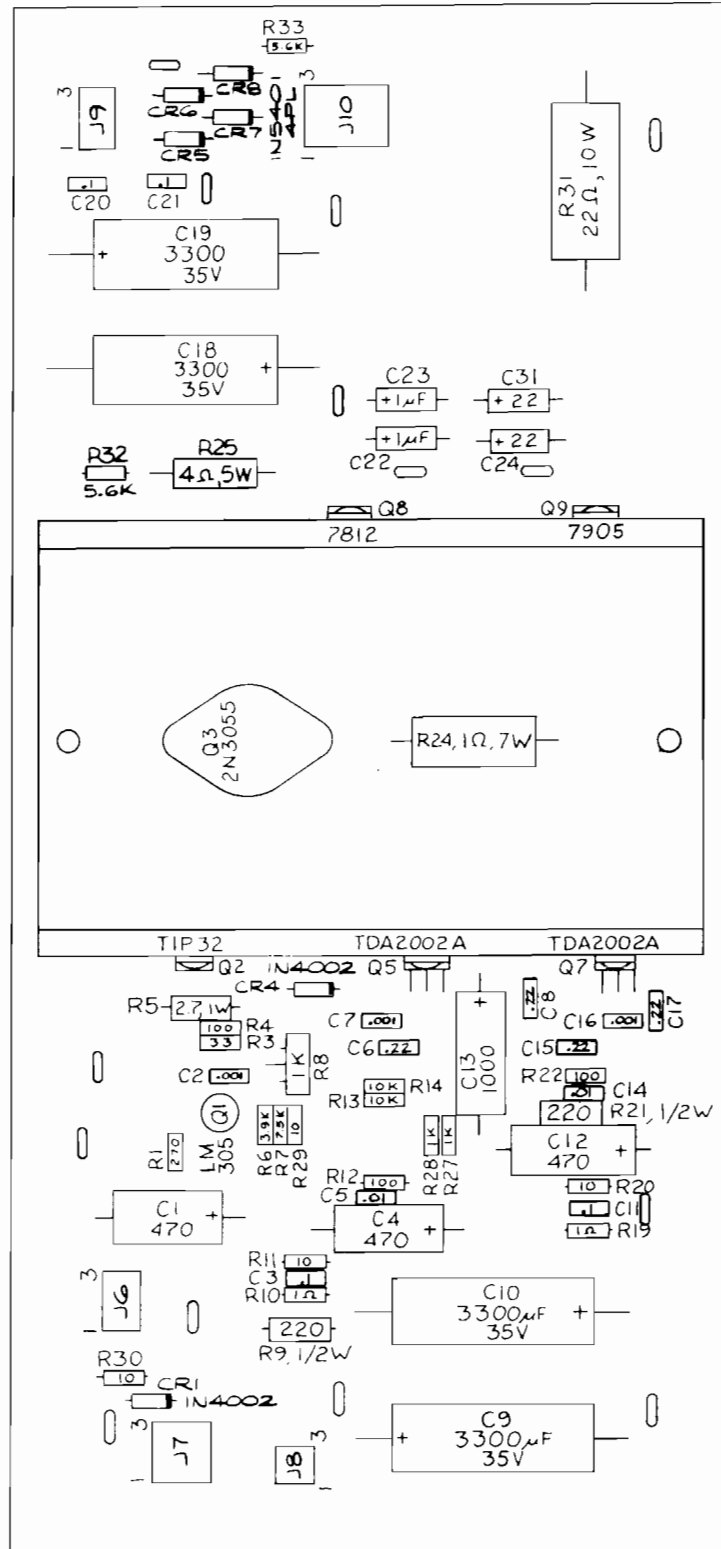


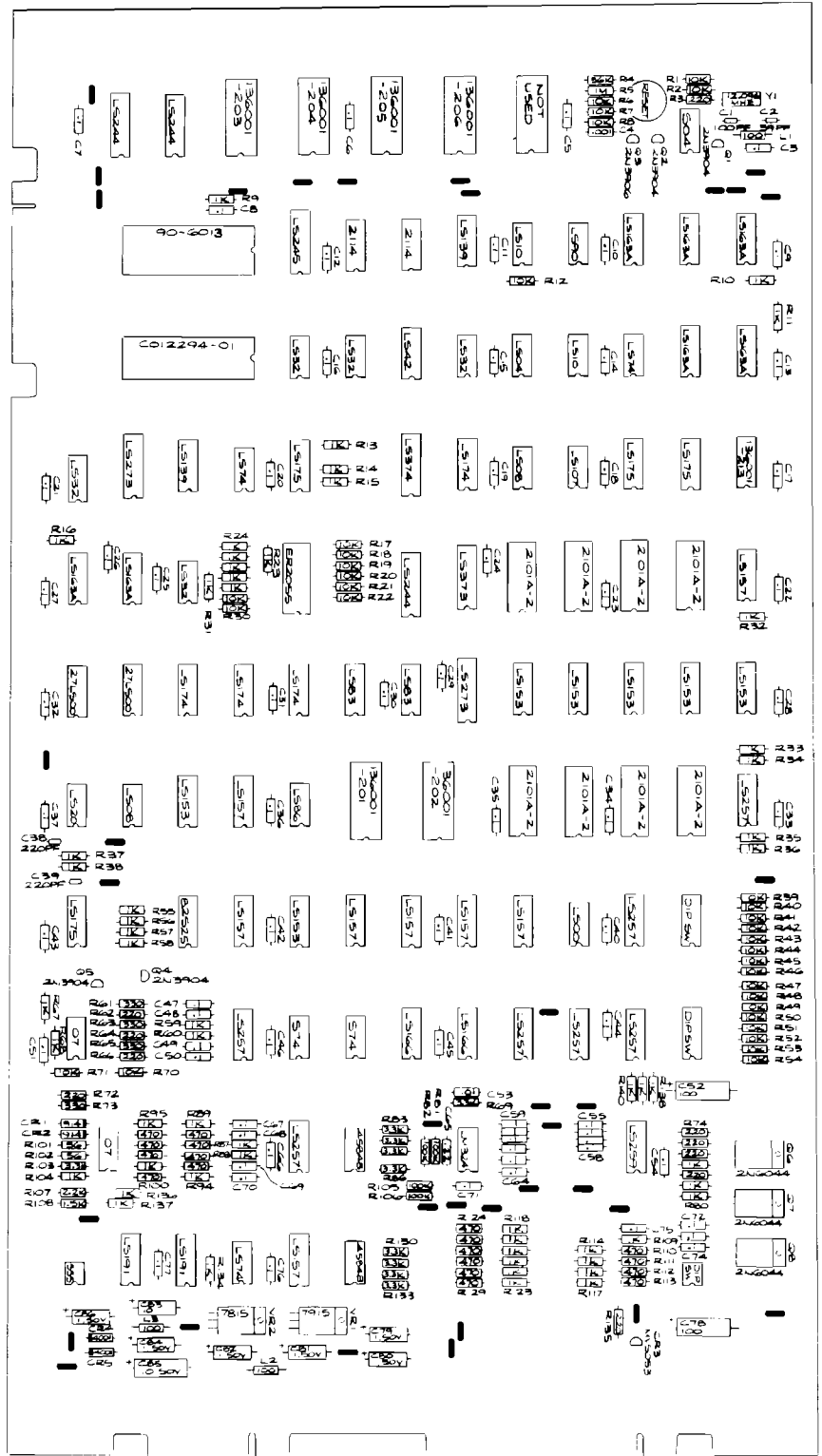
Figure 20 Regulator/Audio II PCB Assembly
A035435-02 E

Figure 20 Regulator/Audio II PCB Assembly Parts List

Part No.	Description (Reference Designations and Locations in Bold)
12-52P7	2.7 Ohm, $\pm 5\%$, 1W Resistor (R5)
16-54P0	4 Ohm, $\pm 5\%$, 5W Wirewound Resistor (R25)
19-100P1015	.1 Ohm, $\pm 3\%$, 7W Wirewound Resistor (R24)
19-315102	1K Ohm Vertical PCB-Mounting Cermet Trimpot (R8)
24-250108	1000 uf Aluminum Electrolytic Fixed Axial-Lead 25V Capacitor (C13)
24-250477	470 uf Aluminum Electrolytic Fixed Axial-Lead 25V Capacitor (C1, 4, 12)
24-350226	22 uf Aluminum Electrolytic Fixed Axial-Lead 35V Capacitor (C24, 31)
24-350338	3300 uf Aluminum Electrolytic Fixed Axial-Lead 35V Capacitor (C9, 10, 18, 19)
24-500105	1 uf Aluminum Electrolytic Fixed Axial-Lead 50V Capacitor (C22, 23)
29-088	.1 uf Ceramic-Disc 25V Radial-Lead Capacitor (C3, 11, 20, 21)
31-1N4002	100V 1-Amp. Silicon Rectifier Type 1N4002 Diode (CR1, 4)
31-1N5401	100V 3-Amp. Silicon Rectifier Type 1N5401 Diode (CR5-8)
33-TIP32	PNP Power Transistor, Type TIP32 (Q2)
34-2N3055	NPN Silicon Transistor, Type 2N3055 (Q3)
37-LM305	5V Linear Voltage Regulator (Q1)
37-7812	+ 12V Voltage Regulator, Type 7812 (Q8)
37-7905	- 5V Voltage Regulator, Type 7905 (Q9)
72-1608C	#6-32 \times 1/2-Inch Cross-Recessed Pan-Head Corrosion-Resistant Steel Machine Screw
72-6606S	#6 \times 3/8 Pan-Head Thread-Forming Cross-Recessed Type-AB Zinc-Plated-Steel Screws (Q8)
75-F60405	#6-32 \times 1/4-Inch Binder-Head Nylon Screw (Q5, 7)
75-99516	#6-32 Nut/Washer Assembly
78-16008	Thermally Conductive Compound (Q3)
78-16014	Thermally Conductive Silicon Insulator (Q2, 9)
79-58306	6-Position Connector Receptacle (J6, 9)
79-58308	9-Position Connector Receptacle (J7)
79-58346	12-Position Connector Receptacle (J10)
79-58354	4-Position Connector Receptacle (J8)
020670-01	Test Point
034531-01	Heat Sink
100015-103	.01 uf Ceramic-Disc 25V Radial-Lead Capacitor (C5, C14)
110000-010	1 Ohm, $\pm 5\%$, 1/4 W Resistor (R10, 19)
110000-100	10 Ohm, $\pm 5\%$, 1/4W Resistor (R11, 20, 29, 30)
110000-101	100 Ohm, $\pm 5\%$, 1/4 W Resistor (R4, 12, 22)
110000-102	1K Ohm, $\pm 5\%$, 1/4 W Resistor (R27, 28)
110000-103	10K Ohm, $\pm 5\%$, 1/4W Resistor (R13, 14)
110000-271	270 Ohm, $\pm 5\%$, 1/4W Resistor (R1)
110000-330	33 Ohm, $\pm 5\%$, 1/4W Resistor (R3)
110000-392	3.9K Ohm, $\pm 5\%$, 1/4 W Resistor (R6)
110000-562	5.6K Ohm, $\pm 5\%$, 1/4 W Resistor (R32, 33)
110000-752	7.5K Ohm, $\pm 5\%$, 1/4 W Resistor (R7)
110001-221	220 Ohm, $\pm 5\%$, 1/2W Resistor (R9, 21)
116000-220	22 Ohm, $\pm 5\%$, 10W Wirewound Resistor (R31)
122002-102	.001 uf Ceramic-Disc Minimum 25V Radial-Lead Capacitor (C2, 7, 16)
122004-224	.22 uf Ceramic-Disc 25V Capacitor (C6, 8, 15, 17)
137151-002	Type TDA2002A 8W Linear Audio Amplifier Integrated Circuit (Q5, 7)

A B C D E F H J K L M N P

1 2 3 4 5 6 7 8 9 10 11



NOTICE TO ALL PERSONS RECEIVING THIS DRAWING
 CONFIDENTIAL: Reproduction forbidden without the specific written permission of Atari, Inc., Sunnyvale, CA. This drawing is only conditionally issued, and neither receipt nor possession thereof confers or transfers any right in, or license to use, the subject matter of the drawing or any design or technical information shown thereon, nor any right to reproduce this drawing or any part thereof. Except for manufacture by vendors of Atari, Inc., and for manufacture under the corporation's written license, no right is granted to reproduce this drawing or the subject matter thereof, unless by written agreement with or written permission from the corporation.

Figure 21 Centipede™ Game PCB Assembly A037241-01 B

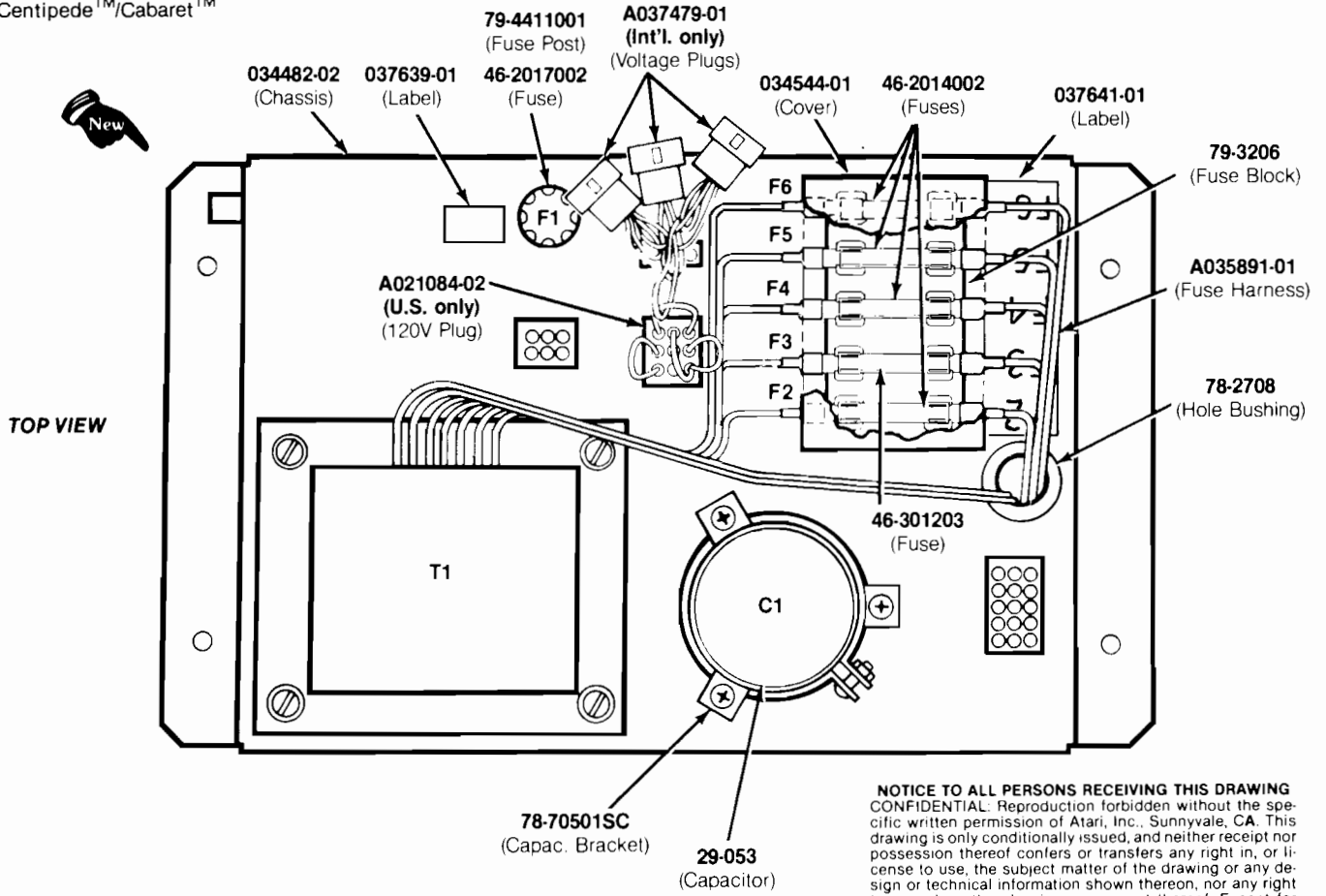
Figure 21 Centipede™ Game PCB Assembly, continued Parts List

<i>Part No.</i>	<i>Description (Reference Designations and Locations in Bold)</i>
C012294-01	Audio I/O N-Channel MOS/LSI Custom Chip (C3)
24-250106	10 uf Aluminum Electrolytic Fixed Axial-Lead 25V Capacitor (C83)
24-250107	100 uf Aluminum Electrolytic Fixed Axial-Lead 25V Capacitor (C52, 78)
24-500105	1 mf Aluminum Electrolytic Fixed Axial-Lead 50V Capacitor (C79-82, 84, 86)
24-500106	10 uf Aluminum Electrolytic Fixed Axial-Lead 50V Capacitor (C85)
29-088	.1 uf Ceramic-Disc 25V Radial-Lead Capacitor (C3, 5-37, 40-51, 54-64, 66-77)
31-1N914	75V Type-1N914 Switching Diode (CR1, 2)
31-1N4001	75V Type-1N4001 Switching Diode (CR4, 5)
33-2N3906	Type-2N3906 PNP Switching and Amplifying Transistor (Q3)
34-2N3904	Type-2N3904 NPN Silicon Transistor (Q1, 2, 4, 5)
34-2N6044	Type-2N6044 Darlington NPN Transistor (Q6-8)
37-LM324	Type-LM324 Integrated Circuit (J10)
37-4584B	Type-4584B Integrated Circuit (F10, F11)
37-555	Type-555 Timer Integrated Circuit (A11)
37-74LS00	Type-74LS00 Integrated Circuit (L8)
37-74LS04	Type-74LS04 Integrated Circuit (K3)
37-74LS08	Type-74LS08 Integrated Circuit (B7, K4)
37-74LS10	Type-74LS10 Integrated Circuit (L3, K2)
37-74LS20	Type-74LS20 Integrated Circuit (A7)
37-74LS32	Type-74LS32 Integrated Circuit (A4, C5, E3, F3, J3)
37-74LS42	Type-74LS42 Integrated Circuit (H3)
37-74LS74	Type-74LS74 Integrated Circuit (D4, D11, M3)
37-74LS83	Type-74LS83 Integrated Circuit (F6, H6)
37-74LS86	Type-74LS86 Integrated Circuit (E7)
37-74LS90	Type-74LS90 Integrated Circuit (L2)
37-74LS139	Type-74LS139 Integrated Circuit (C4, J2)
37-74LS153	Type-74LS153 Integrated Circuit (C7, E8, K6, L6, M6, N6, P6)
37-74LS157	Type-74LS157 Integrated Circuit (D7, D8, E11, F8, H8, J8, K8, P5)
37-74LS163A	Type-74LS163A Integrated Circuit (A5, B5, M2, N2, N3, P2, P3)
37-74LS166	Type-74LS166 Integrated Circuit (H9, J9)
37-74LS174	Type-74LS174 Integrated Circuit (C6, D6, E6, J4)
37-74LS175	Type-74LS175 Integrated Circuit (A8, E4, M4, N4)
37-74LS191	Type-74LS191 Integrated Circuit (B11, C11)
37-74LS244	Type-74LS244 Integrated Circuit (B1, C1, H5)
37-74LS245	Type-74LS245 Integrated Circuit (E2)
37-74LS257	Type-74LS257 Integrated Circuit (D9, E10, K9, L9, P7, M8, M9)
37-74LS259	Type-74LS259 Integrated Circuit (M10)
37-74LS273	Type-74LS273 Integrated Circuit (B4, J6)
37-74LS373	Type-74LS373 Integrated Circuit (J5)
37-74LS374	Type-74LS374 Integrated Circuit (H4)
37-74S04	Type-74S04 Integrated Circuit (N1)
37-74S74	Type-74S74 Integrated Circuit (E9, F9)
37-7407	Type-7407 Integrated Circuit (A9, A/B10)
37-7815	+ 15V Voltage Regulator (VR2)
37-7915	-15V Voltage Regulator (VR1)
38-MV5053	Type-MV5053 Light-Emitting Diode (CR3)

[Continued on next page]

Figure 21 Centipede™ Game PCB Assembly, continued Parts List

Part No.	Description (Reference Designations and Locations in Bold)
41-3003	100 uH, ± 5%, Hot-Molded Plastic Fixed R.F. Choke (L1-3)
62-001	SPST Momentary Pushbutton Switch (Reset)
66-114P1T	4-Station, Single-Throw, Dual-Inline-Package Bit Switch (N11)
66-118P1T	8-Station, Single-Throw, Dual-Inline-Package Bit Switch (N8, N9)
79-42C16	16-Contact Medium-Insertion-Force Integrated Circuit Socket (P4)
79-42C22	22-Contact Medium-Insertion-Force Integrated Circuit Socket (E5)
79-42C24	24-Contact Medium-Insertion-Force Integrated Circuit Socket (F7, H/J7, D1, E1, F/H1, J1)
79-42C40	40-Contact Medium-Insertion-Force Integrated Circuit Socket (C2, C3)
81-4302	Nylon Snap-In Fastener
90-102	12.096, ± .005%, Crystal (Y1)
90-6013	Microprocessor (C2)
90-7005	Random-Access Memory (C8)
90-7018	Random-Access Memory (K5, K7, L5, L7, M5, M7, N5, N7)
90-7033	Random-Access Memory (F2, H2)
020670-01	Test Point
110000-102	1K Ohm, ± 5%, ¼ W Resistor (R9-11, 13-16, 23-28, 31-38, 55-60, 67, 68, 77, 79, 80, 87-89, 94, 95, 99, 104, 109, 114-123, 134, 136-141)
110000-103	10K Ohm, ± 5%, ¼ W Resistor (R1, 2, 6-8, 12, 17-22, 29, 30, 39-54, 70, 71)
110000-104	110K Ohm, ± 5%, ¼ W Resistor (R81, 82, 105, 106)
110000-105	100 MegOhm, ± 5%, ¼ W Resistor (R5)
110000-152	1.5K Ohm, ± 5%, ¼ W Resistor (R108)
110000-221	220 Ohm, ± 5%, ¼ W Resistor (R3, 62, 64, 66, 72, 74-76, 78, 135)
110000-222	2.2K Ohm, ± 5%, ¼ W Resistor (R107)
110000-331	330 Ohm, ± 5%, ¼ W Resistor (R61, 63, 65, 73)
110000-332	3.3K Ohm, ± 5%, ¼ W Resistor (R69, 83-86, 103, 130-133)
110000-471	470 Ohm, ± 5%, ¼ W Resistor (R90-93, 96-98, 100, 110-113, 124-129, 142)
110000-560	56 Ohm, ± 5%, ¼ W Resistor (R101, 102)
110000-563	56K Ohm, ± 5%, ¼ W Resistor (R4)
122002-102	.001 uf Ceramic-Disc 50V Radial-Lead Capacitor (C4)
122004-224	.22 uf Ceramic-Disc 25V Radial-Lead Capacitor (C65)
122005-103	.01 uf Ceramic-Disc 25V Radial-Lead Capacitor (C53)
128002-101	100 pf Radial-Lead Epoxy-Dipped 100V Mica Capacitor (C1)
128002-221	220 pf Radial-Lead Epoxy-Dipped 100V Mica Capacitor (C38, 39)
128002-390	39 pf Radial-Lead Epoxy-Dipped 100V Mica Capacitor (C2)
136001-201 or -211	Read-Only Memory (F7)
136001-202 or -212	Read-Only Memory (H/J7)
136001-203 or -207	Read-Only Memory (D1)
136001-204 or -208	Read-Only Memory (E1)
136001-205 or -209	Read-Only Memory (F/H1)
136001-206 or -210	Read-Only Memory (J1)
136001-213	Programmable Read-Only Memory (P4)
137161-001	Type-ER2055 Integrated Circuit (E5) <i>Note: If you replace this part, you must erase this ROM before locking up the game. See Figure 6, Self-Test Procedure, in this manual for instructions.</i>
137169-001	Type-74LS107 Integrated Circuit (L4)
137170-001	Random-Access Memory (A6, B6) <i>Acceptable substitute is part no. 90-7008 or 90-7035.</i>



NOTICE TO ALL PERSONS RECEIVING THIS DRAWING
 CONFIDENTIAL: Reproduction forbidden without the specific written permission of Atari, Inc., Sunnyvale, CA. This drawing is only conditionally issued, and neither receipt nor possession thereof confers or transfers any right in, or license to use, the subject matter of the drawing or any design or technical information shown thereon, nor any right to reproduce this drawing or any part thereof. Except for manufacture by vendors of Atari, Inc., and for manufacture under the corporation's written license, no right is granted to reproduce this drawing or the subject matter thereof, unless by written agreement with or written permission from the corporation.

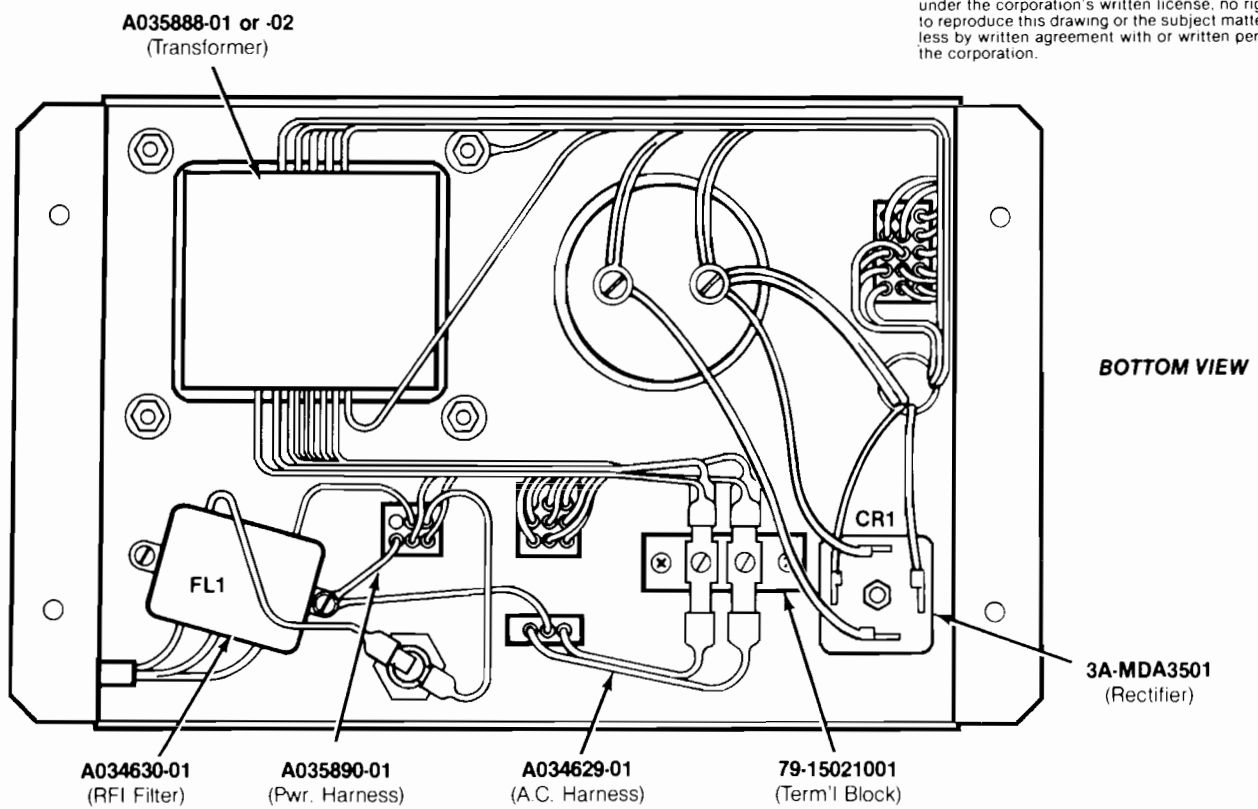
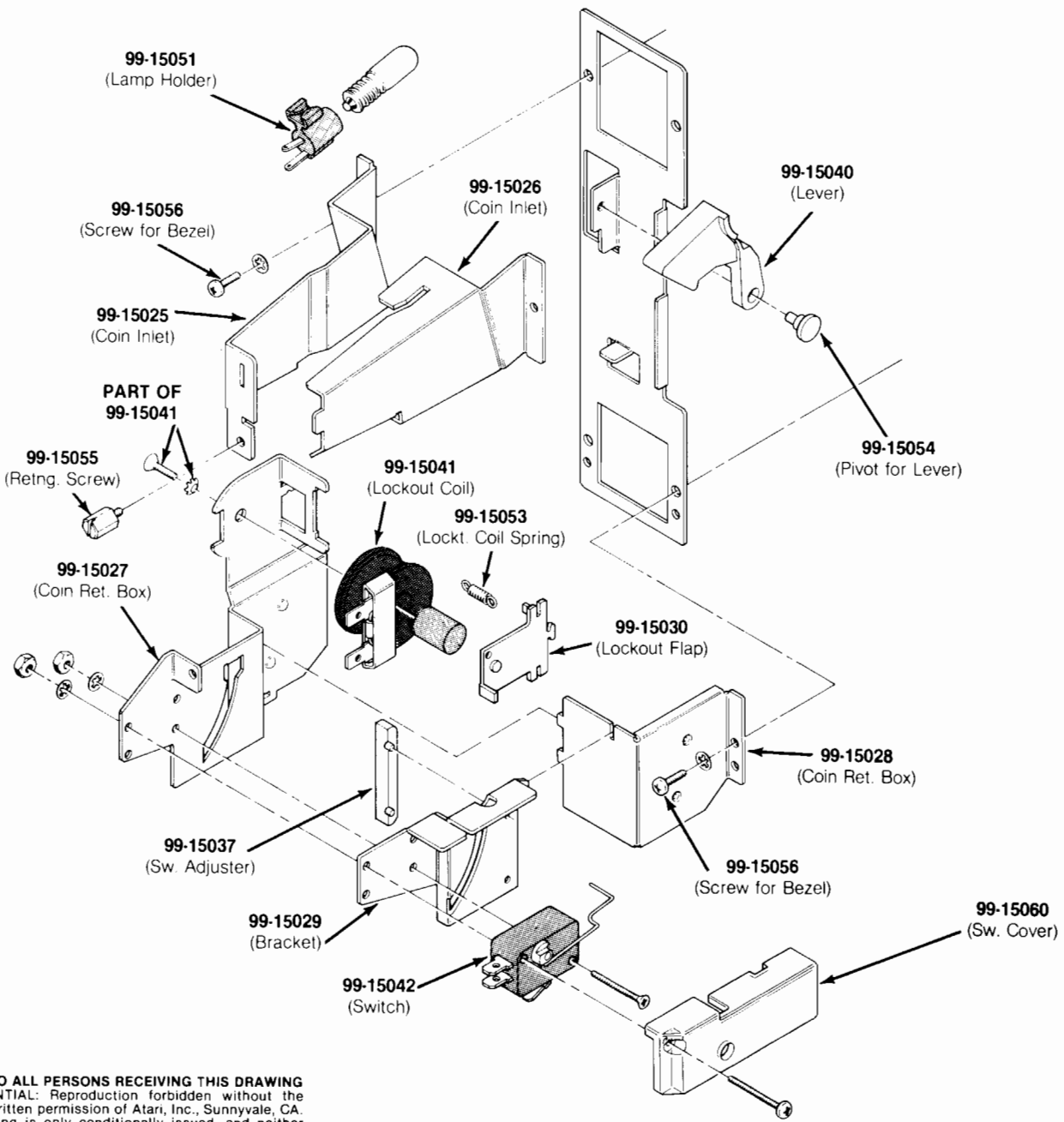


Figure 22 Power Supply Assembly
A037671-01 (U.S.) A / A037671-02 (International) A

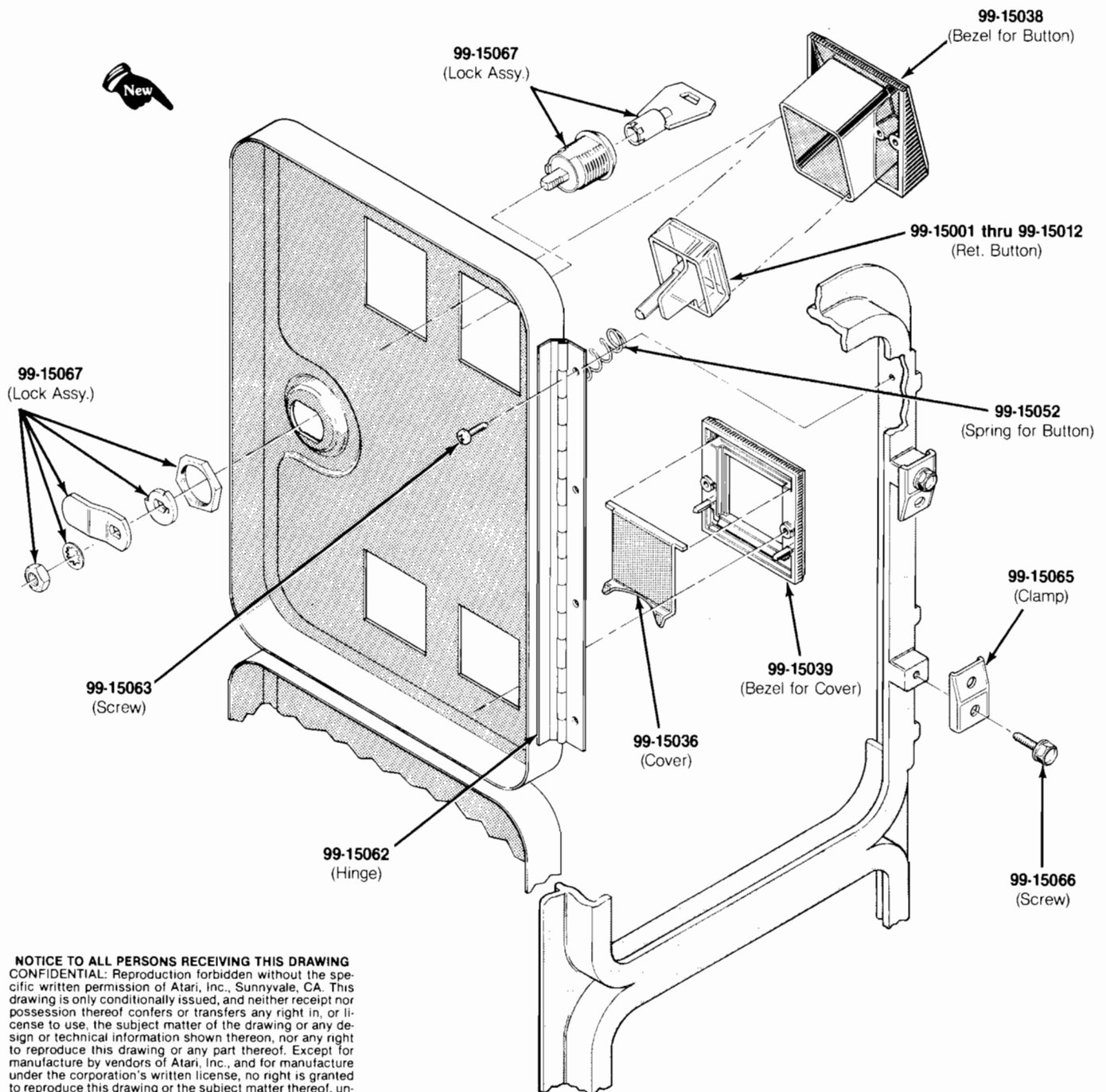
Figure 22 Power Supply Assembly Parts List

Part No.	Description (Reference Designations in Bold)
A021084-01	Voltage Plug for 100V (violet)
A021084-02	Voltage Plug for 120V (yellow)
A021084-04	Voltage Plug for 220V (blue)
A021084-05	Voltage Plug for 240V (brown)
A034629-01	A.C. Harness Assembly
A034630-01	RFI Filter Assembly (FL1)
A035888-01 or -02	Transformer Assembly (T1)
A035890-01	Power Harness Assembly
A035891-01	Fuse Harness Assembly
29-053	27,000 uf 15 VDC Electrolytic Capacitor (C1)
3A-MDA3501	Bridge Rectifier, Type MDA 3501 (CR1)
46-2014002	4-Amp. 250 V 3AG Slow-Blow Glass Cartridge-Type Fuse (F2, F4-F6)
46-2017002	7-Amp. 250 V 3AG Slow-Blow Glass Cartridge-Type Fuse (F1)
46-301203	20-Amp. 32 V 3AG Slow-Blow Glass Cartridge-Type Fuse (F3)
78-2708	Nylon Type 6/6 Hole Bushing with $\frac{5}{8}$ -Inch Inside Diameter \times $\frac{55}{64}$ -Inch Outside Diameter \times $\frac{1}{4}$ -Inch Thick
78-70501SC	2-Inch Diameter Capacitor Mounting Bracket
79-15021001	2-Circuit Single-Row Terminal Block
79-3206	5-Position 3AG Fuse Block with $\frac{1}{4}$ -Inch Quick-Disconnect Terminals
79-4411001	Panel-Mounting Non-Indicating 3AG Cartridge-Type Fuse Post
034482-02	Power Supply Chassis
034544-01	Fuse Block Cover
037639-01	Label for Fuse Value (F1)
037641-01	Label for Fuse Values (F2-F6)



NOTICE TO ALL PERSONS RECEIVING THIS DRAWING
 CONFIDENTIAL: Reproduction forbidden without the specific written permission of Atari, Inc., Sunnyvale, CA. This drawing is only conditionally issued, and neither receipt nor possession thereof confers or transfers any right in, or license to use, the subject matter of the drawing or any design or technical information shown thereon, nor any right to reproduce this drawing or any part thereof. Except for manufacture by vendors of Atari, Inc., and for manufacture under the corporation's written license, no right to reproduce this drawing is granted or the subject matter thereof unless by written agreement with or written permission from the corporation.

Figure 23 Vertical-Mounted Coin Door
A037619-xx B



NOTICE TO ALL PERSONS RECEIVING THIS DRAWING
 CONFIDENTIAL: Reproduction forbidden without the specific written permission of Atari, Inc., Sunnyvale, CA. This drawing is only conditionally issued, and neither receipt nor possession thereof confers or transfers any right in, or license to use, the subject matter of the drawing or any design or technical information shown thereon, nor any right to reproduce this drawing or any part thereof. Except for manufacture by vendors of Atari, Inc., and for manufacture under the corporation's written license, no right is granted to reproduce this drawing or the subject matter thereof, unless by written agreement with or written permission from the corporation.

- 171004-001 — U.S. 25¢/25¢ Coin Door
- 171004-002 — U.S. 50¢/50¢ Coin Door
- 171004-003 — Canadian 25¢/25¢ Coin Door
- 171004-004 — British 10 P/10 P Coin Door
- 171004-005 — British 10 P/50 P Coin Door
- 171004-006 — British 20 P/50 P Coin Door
- 171004-007 — Australian 20¢/20¢ Coin Door

- 171004-008 — German 1 DM/1 DM Coin Door
- 171004-009 — German 2 DM/1 DM Coin Door
- 171004-010 — German 2 DM/5 DM Coin Door
- 171004-011 — German 1 DM/5 DM Coin Door
- 171004-012 — 5 Fr/5 Fr Coin Door
- 171004-013 — Swiss 1 Fr/1 Fr Coin Door
- 171004-014 — French 1 Fr/1 Fr Coin Door

- 171004-015 — French 2 Fr/1 Fr Coin Door
- 171004-016 — Swedish 1 Kr/1 Kr Coin Door
- 171004-017 — Spanish 25 Pts/25 Pts Coin Door
- 171004-018 — Italian 100 L/100 L Coin Door
- 171004-019 — Hong Kong \$1/\$1 Coin Door
- 171004-020 — Japanese 100Y/100Y Coin Door

Figure 23 Vertical-Mounted Coin Door
A037619-xx B



Figure 23 Vertical-Mounted Coin Door, continued Parts List

<i>Part No.</i>	<i>Description</i>
A037542-01	Harness Assembly
99-15001	Coin Return Button with U.S. 25¢ Price Plate
99-15002	Coin Return Button with U.S. \$1 Price Plate
99-15003	Coin Return Button with German 1 DM Price Plate
99-15004	Coin Return Button with German 2 DM Price Plate
99-15005	Coin Return Button with German 5 DM Price Plate
99-15006	Coin Return Button with Belgian 5 Fr Price Plate
99-15007	Coin Return Button with French 1 Fr Price Plate
99-15008	Coin Return Button with Japanese 100 Yen Price Plate
99-15009	Coin Return Button with British 10 Pence Price Plate
99-15010	Coin Return Button with Australian 20¢ Price Plate
99-15011	Coin Return Button with Italian 100 Lire Price Plate
99-15012	Coin Return Button with U.S. 50¢ (2 × 25¢) Price Plate
99-15025	Left Half of Coin Inlet
99-15026	Right Half of Coin Inlet
99-15027	Side Plate of Coin Return Box
99-15028	Base Plate of Coin Return Box
99-15029	Switch Bracket
99-15030	Flap for Lockout Coil (U.S. 25¢)
99-15036	Coin Return Cover
99-15037	Switch Adjuster
99-15038	Bezel for Coin Return Button
99-15039	Bezel for Coin Return Cover
99-15040	Coin Return Lever
99-15041	Lockout Coil
99-15042	Coin Switch for U.S. 25¢
99-15051	Lamp Holder
99-15052	Spring for Coin Return Button
99-15053	Spring for Lockout Coil
99-15054	Pivot for Coin Return Lever
99-15055	Retaining Screw
99-15056	Screw for Both Bezels
99-15060	Switch Cover
99-15062	Hinge
99-15063	Screw for Hinge
99-15065	Clamp for Frame
99-15066	Screw for Clamp
99-15067	Lock Assembly

YOUR COMMENTS, PLEASE!

Centipede™/Cabaret™
1st printing

Your comments will assist Atari in improving the usefulness of our publications. They are an important part of preparing for revisions of manuals and parts catalogs. No postage stamp is necessary if mailed in the U.S.A.

If you have any technical questions about certain Atari or Kee Games products, or are requesting additional publications, we will immediately forward your note to the appropriate person.

Page: Comments:

Fill in if you wish a reply:

Name _____

Firm _____

Address _____

City _____ State _____ Zip _____

Area Code _____ Phone _____

Distributor

Operator

Other _____



First fold



No Postage
Necessary
if mailed in
the United States

BUSINESS REPLY MAIL
FIRST CLASS PERMIT NO. 1004 SUNNYVALE, CA

POSTAGE WILL BE PAID BY ADDRESSEE

Atari, Inc.
Attn.: Field Service/Coin-Op Division
P. O. Box 427
Sunnyvale, California 94086



Second fold

From:

Warranty

Seller warrants that its printed circuit boards and parts thereon are free from defects in material and workmanship under normal use and service for a period of ninety (90) days from date of shipment. Seller warrants that its television monitors (in games supplied with monitors) are free from defects in material and workmanship under normal use and service for a period of thirty (30) days from date of shipment. None of the Seller's other products or parts thereof are warranted.

If the products described in this manual fail to conform to this warranty, Sellers' sole liability shall be, at its option, to repair, replace, or credit Buyer's account for such products which are returned to Seller during said warranty period, provided:

- (a) Seller is promptly notified in writing upon discovery by Buyer that said products are defective;
- (b) Such products are returned prepaid to Sellers' plant; and
- (c) Seller's examination of said products discloses to Seller's satisfaction that such alleged defects existed and were not caused by accident, misuse, neglect, alteration, improper repair, installation or improper testing.

In no event shall Seller be liable for loss of profits, loss of use, incidental or consequential damages.

Except for any express warranty set forth in a written contract between Seller and Buyer which contract supersedes the terms of this order, this warranty is expressed in lieu of all other warranties expressed or implied, including the implied warranties of merchantability and fitness for a particular purpose, and of all other obligations or liabilities on the Seller's part, and it neither assumes nor authorizes any other person to assume for the Seller any other liabilities in connection with the sale of products under this order.

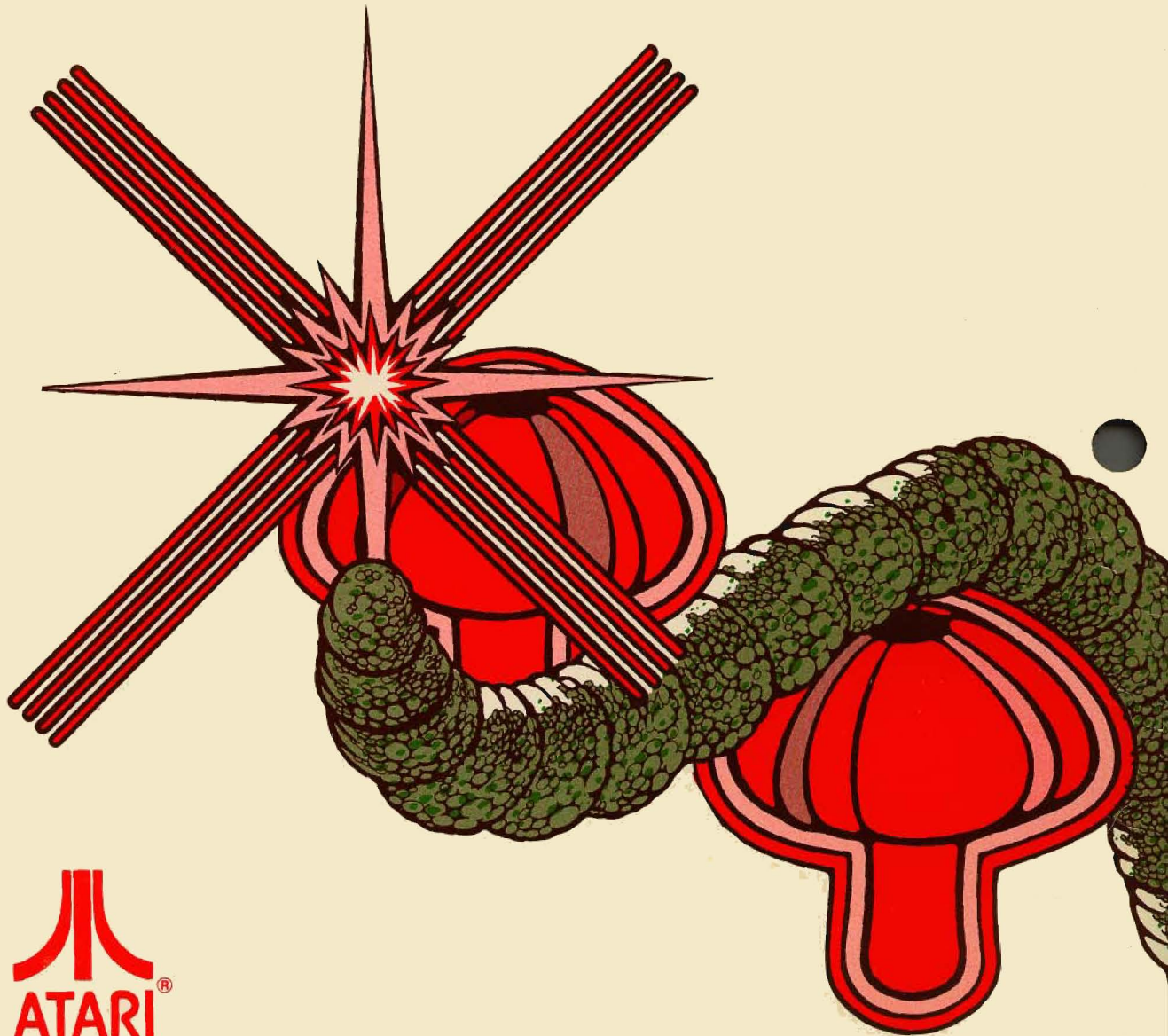
The use of any non-Atari parts may void your warranty, according to the terms of the warranty. The use of any non-Atari parts may also adversely affect the safety of your game and cause injury to yourself and others. Be very cautious in using non-Atari-supplied components with our games, in order to insure your safety.

Atari distributors are independent, being privately owned and operated. In their judgment they may sell parts or accessories other than Atari parts or accessories. Atari cannot be responsible for the quality, suitability or safety of any non-Atari part or any modification including labor which is performed by such distributor.

This document is and contains confidential trade secret information of Atari, Inc.

This document is loaned under confidential custody for the sole purpose of operation, maintenance or repair of Atari equipment and may not be used by or disclosed to any person for any other purpose whatever, and remains the property of Atari, Inc.

Neither it nor the information it contains may be reproduced, used, or disclosed to persons not having a need to know consistent with the purpose of the loan, without written consent of Atari, Inc.



ATARI INC
1265 BORREGAS AVENUE
P.O. BOX 427
SUNNYVALE, CALIFORNIA 94086
408/745-2000 • TELEX 35-7488