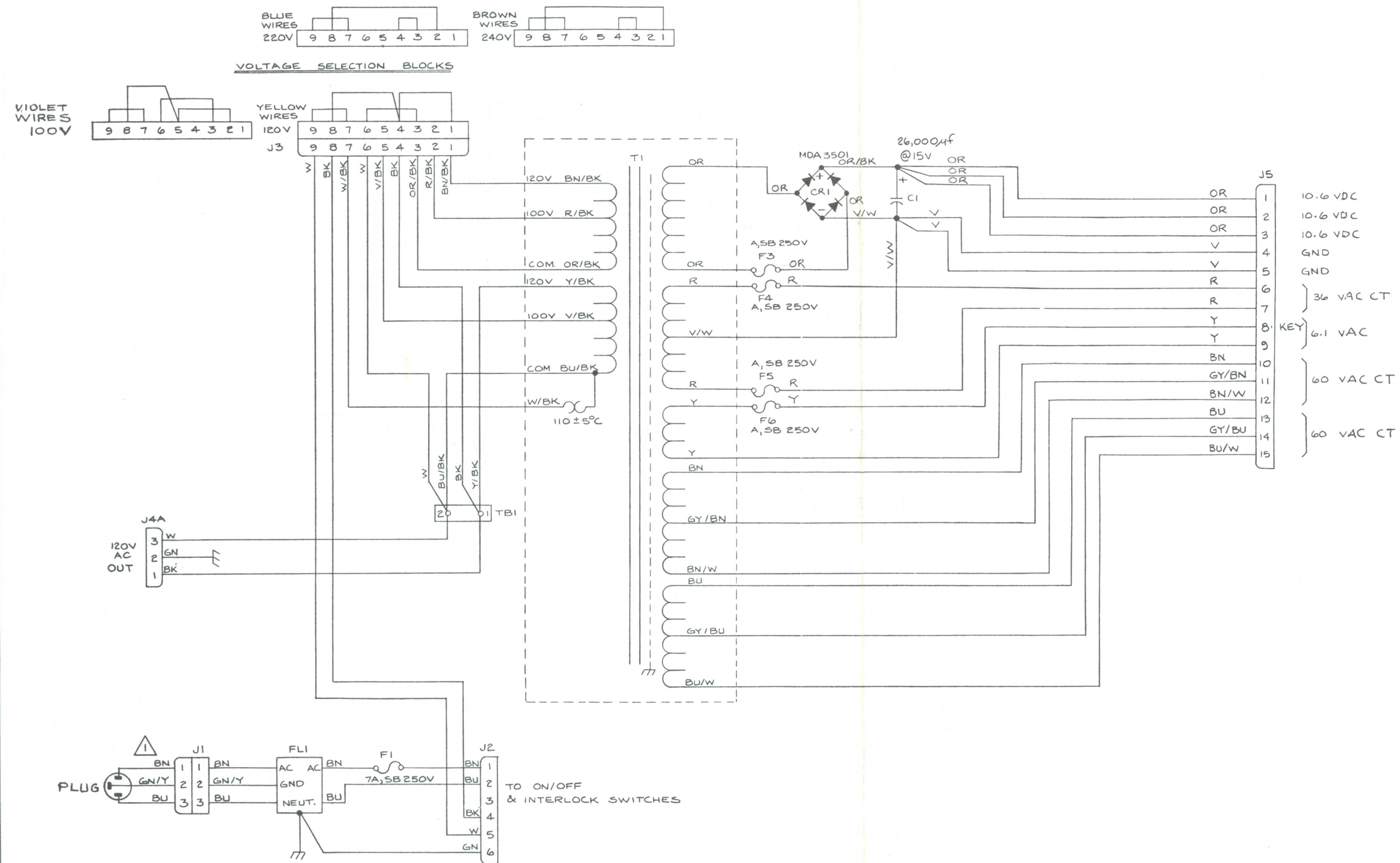
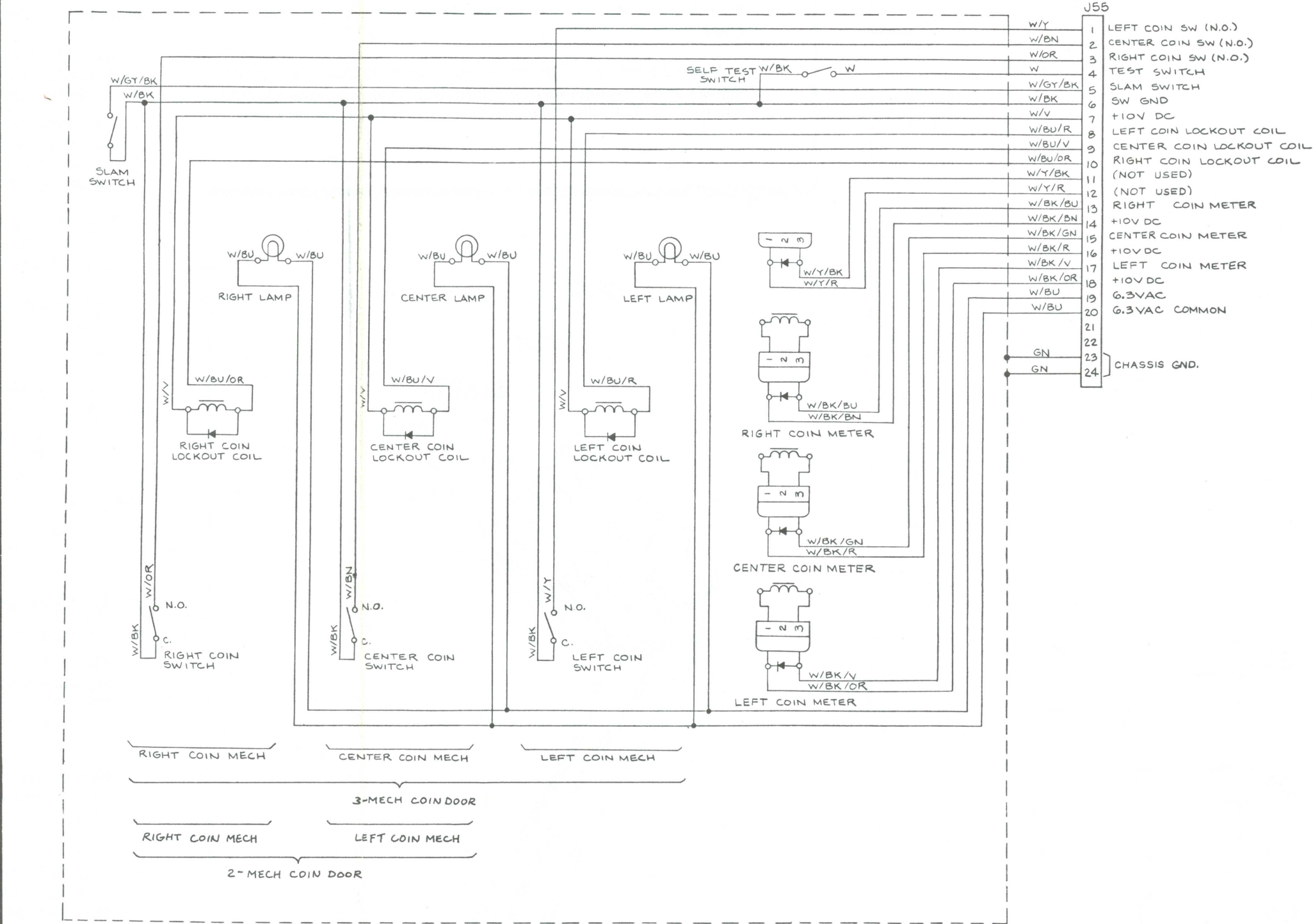


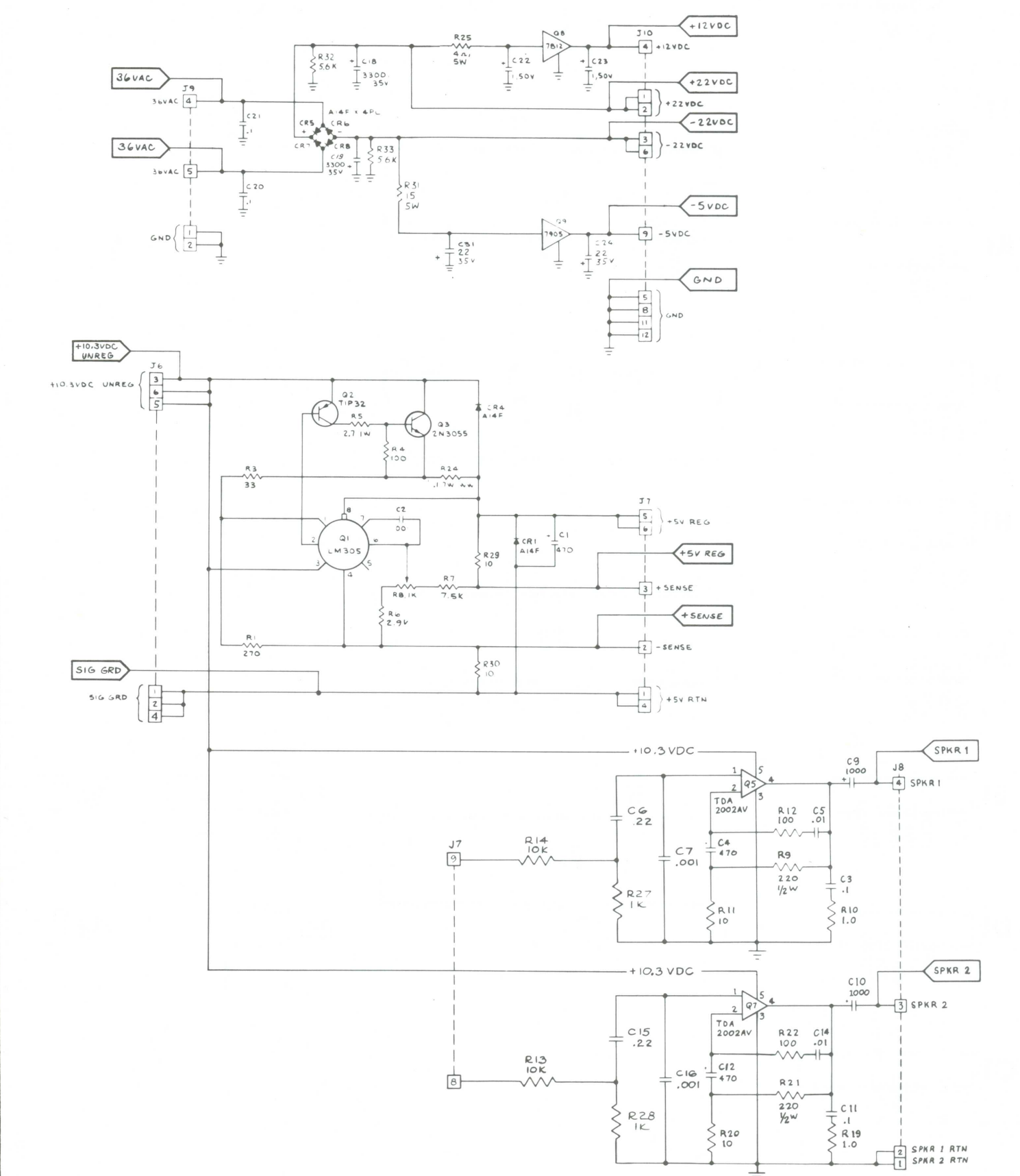
INTERNATIONAL POWER SUPPLY SCHEMATIC (035887-01) A



COIN DOOR SCHEMATIC (034988-01) A



Regulator/Audio II PCB Schematic (035435-02) B



NOTICE TO ALL PERSONS RECEIVING THIS DRAWING
CONFIDENTIAL: Reproduction forbidden without the
specific written permission of Atari, Inc., Sunnyvale, CA.
This drawing is only conditionally issued, and neither
represents nor warrants the performance of the product
described herein, or any design or technical information shown thereon,
nor any right to reproduce this drawing or any part
thereof, except for manufacture by vendors of Atari, Inc.,
and for manufacture under the corporation's written
license, no right to reproduce this drawing is granted or
the subject matter thereof unless by written agreement
with or written permission from the corporation.



Drawing Package Supplement

to

BATTLEZONE™

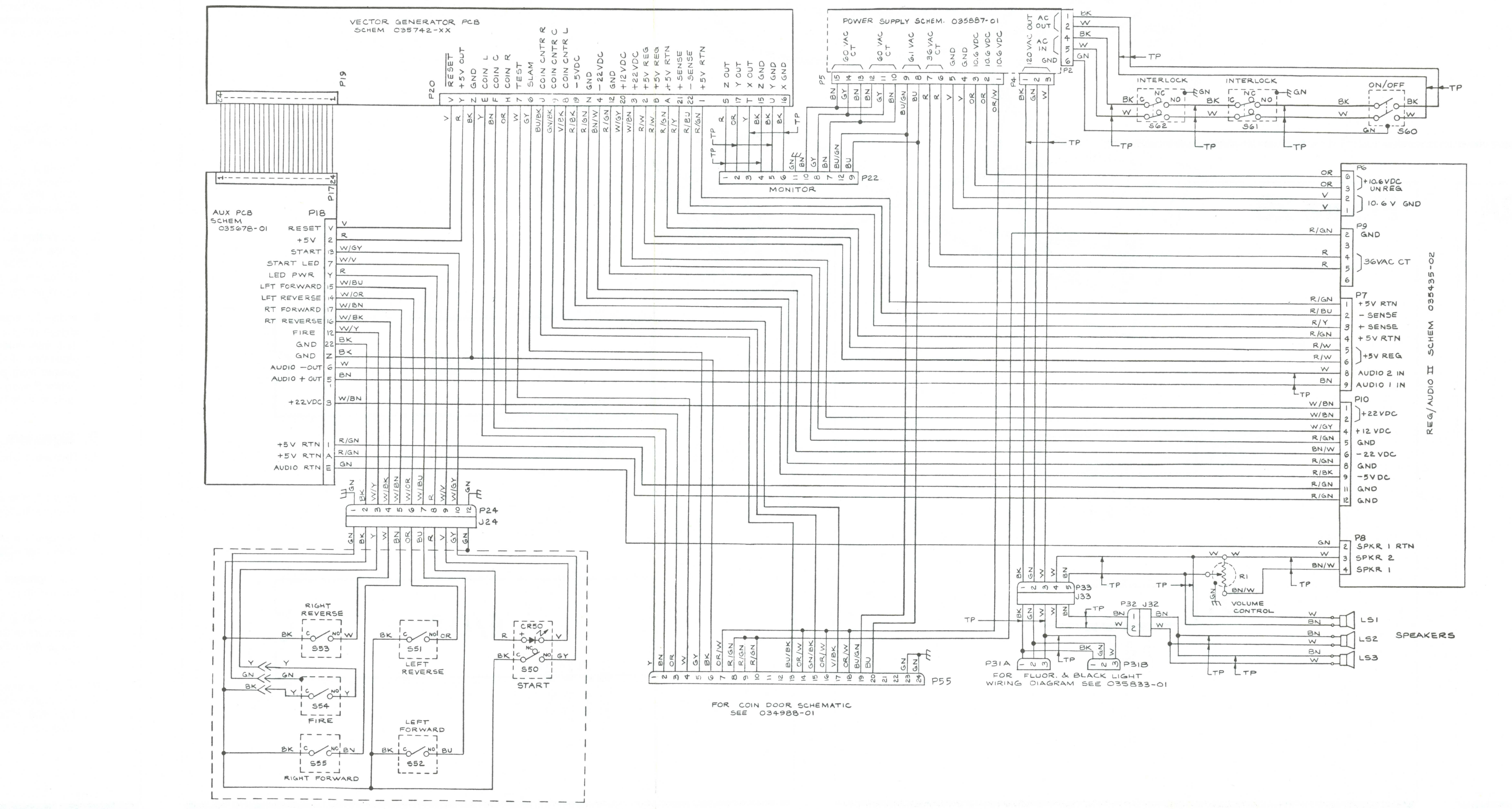
Operation, Maintenance, and Service Manual

Contents of this Drawing Package

- Game Coin Door and Power Supply Wiring Diagrams
- Math Box Signature Analysis Procedures
- Microprocessor
- Coin Door Inputs and Analog Vector-Generator Outputs
- Vector-Generator
- Auxiliary PCB Math Box, Switch Inputs and Audio Outputs

- Sheet 1, Side A
- Sheet 1, Side B
- Sheet 2, Side A
- Sheet 2, Side B
- Sheet 3, Side A
- Sheet 3, Side B

BATTLEZONE WIRING DIAGRAM (036242-01) B



The Regulator/Audio PCB has the dual functions of
regulating the +5 VDC logic power to the game PCB and
amplifying the audio from the game PCB.

Regulator Circuit

The regulator consists of voltage regulator Q1, current source power transistor Q3 and Q3's bias transistor Q2. The regulator accurately regulates the logic power input to the game PCB by monitoring the voltage through high impedance inputs +SENSE and -SENSE. The inputs are directly from the +5 VDC and ground inputs to the game PCB. Therefore, the regulator regulates the voltage on the game PCB. Variable resistor R8 is adjusted for the +5 VDC on the game PCB. Once adjusted, the voltage at the input of the game PCB will remain constant at this voltage.

Regulator Adjustment

1. Connect a voltmeter between +5 V and GND test points of the game PCB.
2. Adjust variable resistor R8 on the Regulator/Audio PCB for +5 VDC reading on the voltmeter.
3. Connect a voltmeter between +5 V REG and GND on the Regulator/Audio PCB. Voltage reading shall not be greater than +5.5 VDC. If greater, try cleaning edge connectors on both the game PCB and the Regulator/Audio PCB.
4. If cleaning PCB edge connectors doesn't decrease voltage difference, connect minus lead of voltmeter to GND test point of Regulator/Audio PCB and plus lead to GND test point of game PCB. Note the voltage. Now connect minus lead of voltmeter to +5 REG test point on Regulator/Audio PCB and plus lead to +5 V test point on game PCB. From this you can see which harness circuit is dropping the voltage. Troubleshoot the appropriate harness wire or harness connector.

Audio Circuit

The audio circuit contains two independent audio amplifiers. Each consists of a TDA2002AV amplifier with a gain of ten.