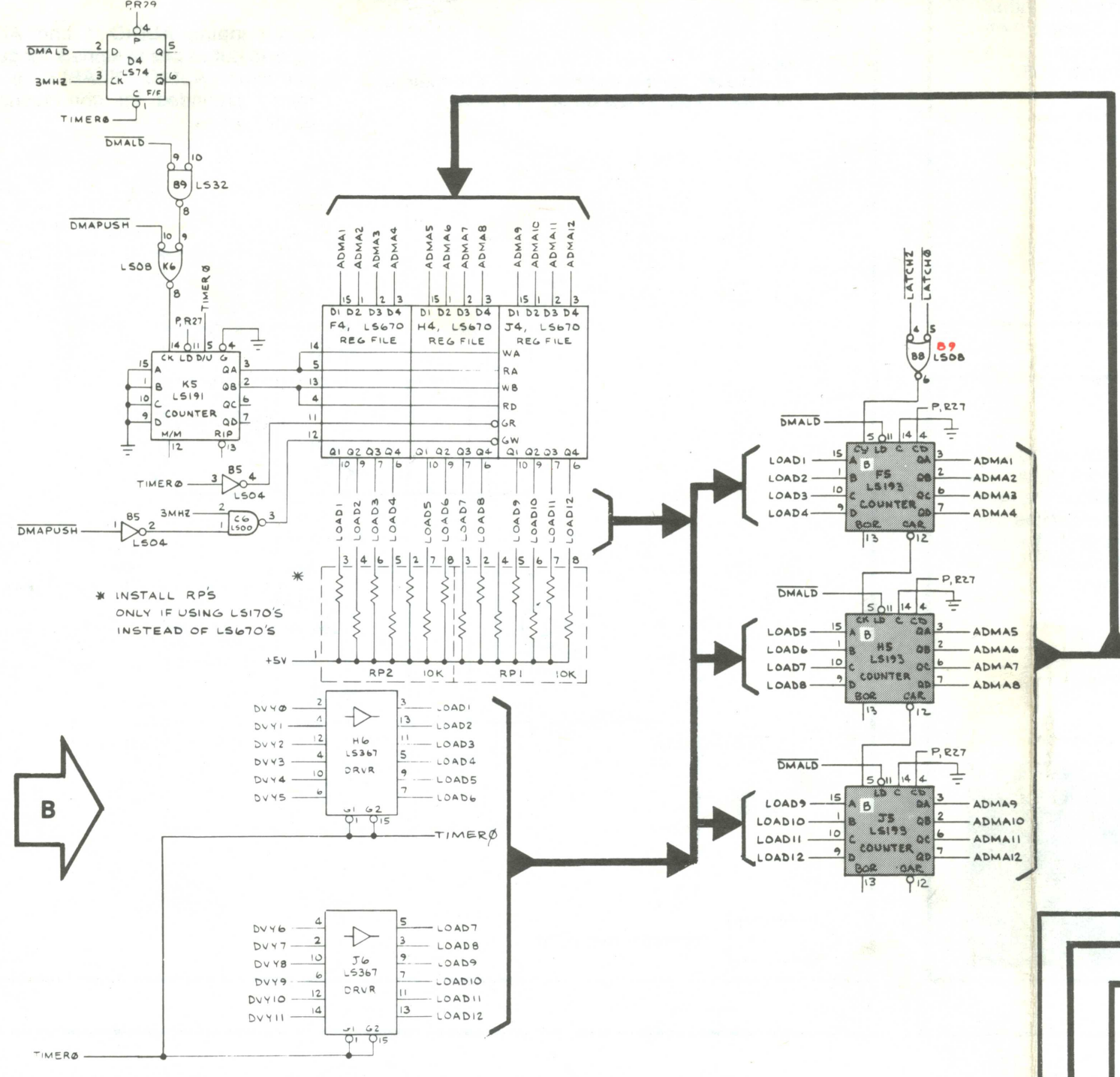


VECTOR GENERATOR PROGRAM COUNTER



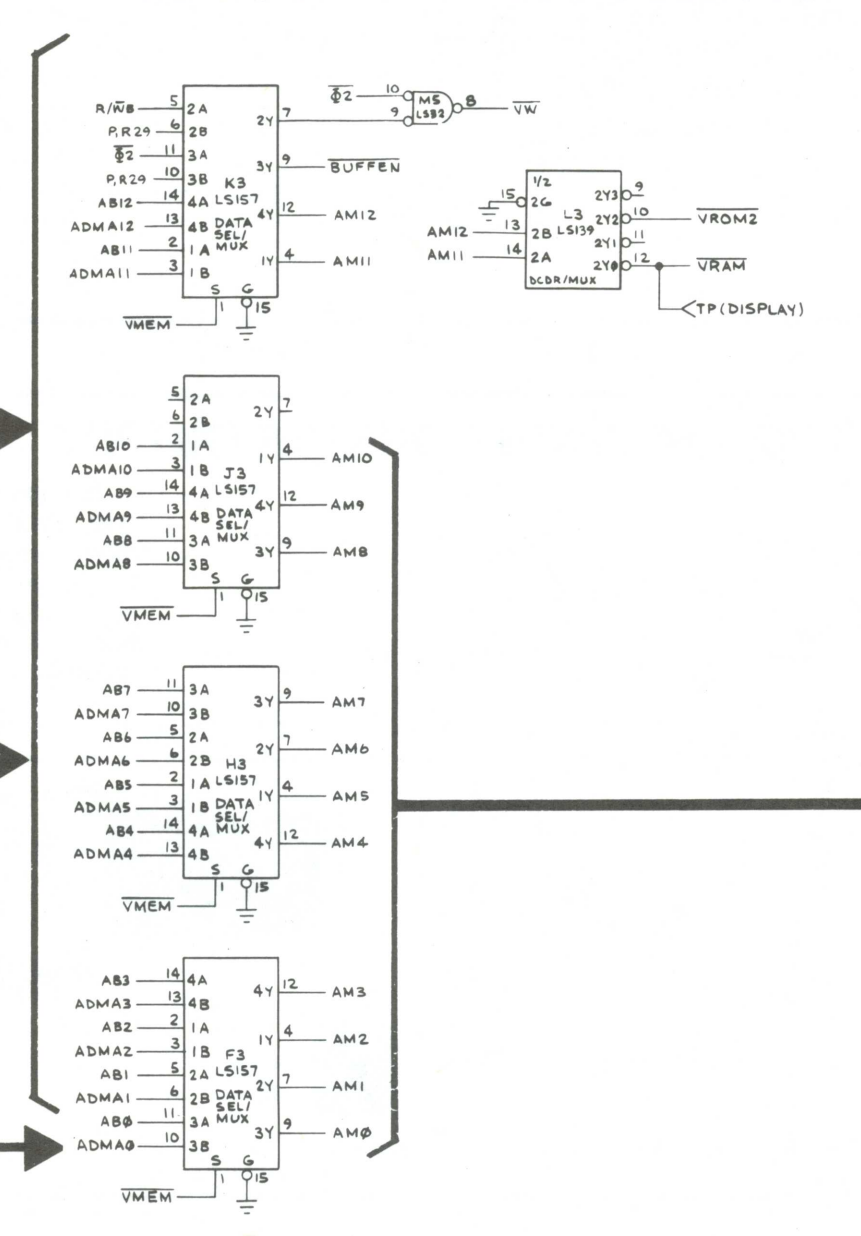
Counters F5, H5 and J5 contain the address of the next data byte (instruction) to be fetched from the Vector Generator memory. Because these counters point to the next instruction in memory to be retrieved and performed, they are called the program counter. This program counter is incremented one count (to the next sequential address) each time the information at its current address is loaded into data latch 0 or data latch 2.

The program counter may also be preset to "jump" to a new address. This new address can be loaded into the program counter from the vector generator memory via

data latches F7 and H7 and buffers H6 and J6.

The program counter may also be preset to "return" to a previous address which it had stored in its "stack". The stack consists of register files F4, H4, & J4, and down/up counter K5. The stack is a 4-word 12-bit memory, used to save the contents of the program counter for future reference. It is loaded when DMAPUSH is low. Immediately after information is written into the stack, counter K5 increments one count. Immediately before loading the program counter from the stack, counter K5 decrements one count.

FROM MICROCOMPUTER SHEET 1, SIDE B VECTOR GENERATOR MEMORY ADDRESS SELECTOR

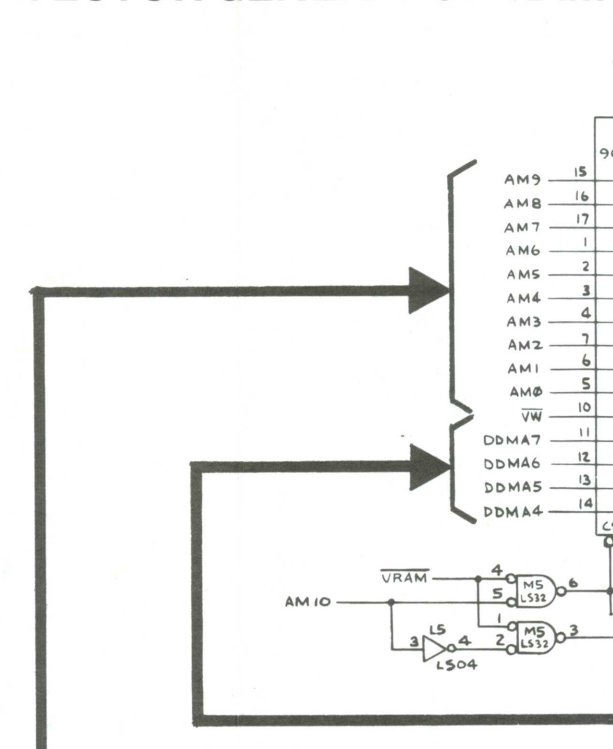


The address selector consists of multiplexers F3, H3, J3 and K3. When VMEM is low, the MPU of the microcomputer gains access to the address inputs of the vector generator memory. In this state, BUFFER is from $\bar{Q}2$ and VW (vector generator write) is low when $\bar{Q}2$ and RWB are both low. When VMEM is high, the address input to the vector generator memory is from the vector generator program counter and state machine. In this state, BUFFER and VW are both held high by the pullup resistors connected to the 2B and 3B inputs of multiplexer K3.

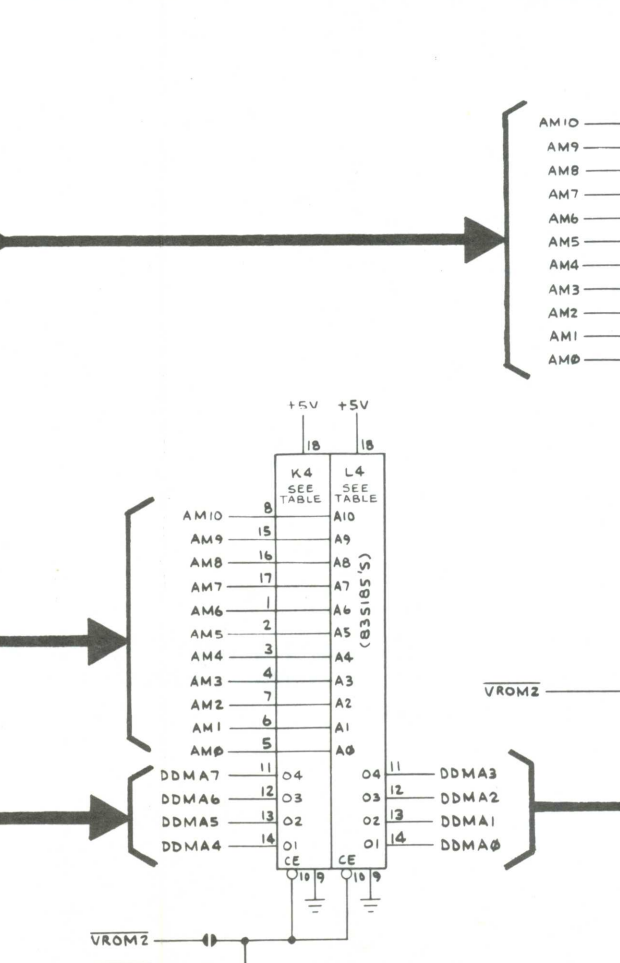
Address decoder L3 decodes address bits A11 and A12, and selects the RAM or one of three ROMs of the vector generator memory.

This address-selecting arrangement allows the game MPU to access the vector generator memory, i.e., write data into the vector generator RAM to instruct the vector generator what it should do next. The address selector can then allow the vector generator program counter and state machine to access this same area of RAM also, and read what instructions were sent to it by the game MPU.

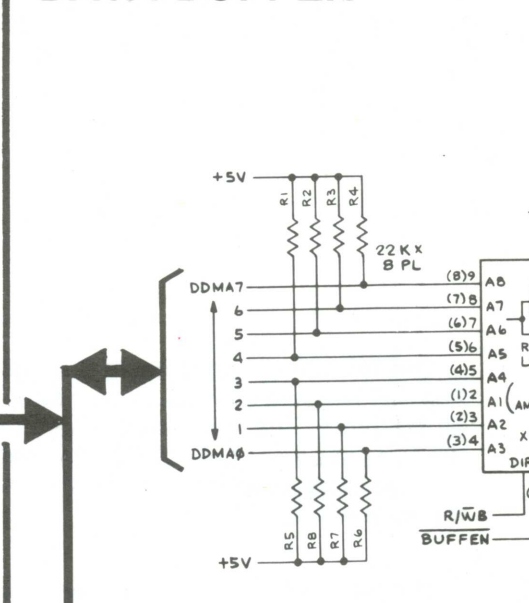
VECTOR GENERATOR RAM



VECTOR GENERATOR ROM



VECTOR GENERATOR DATA BUFFER



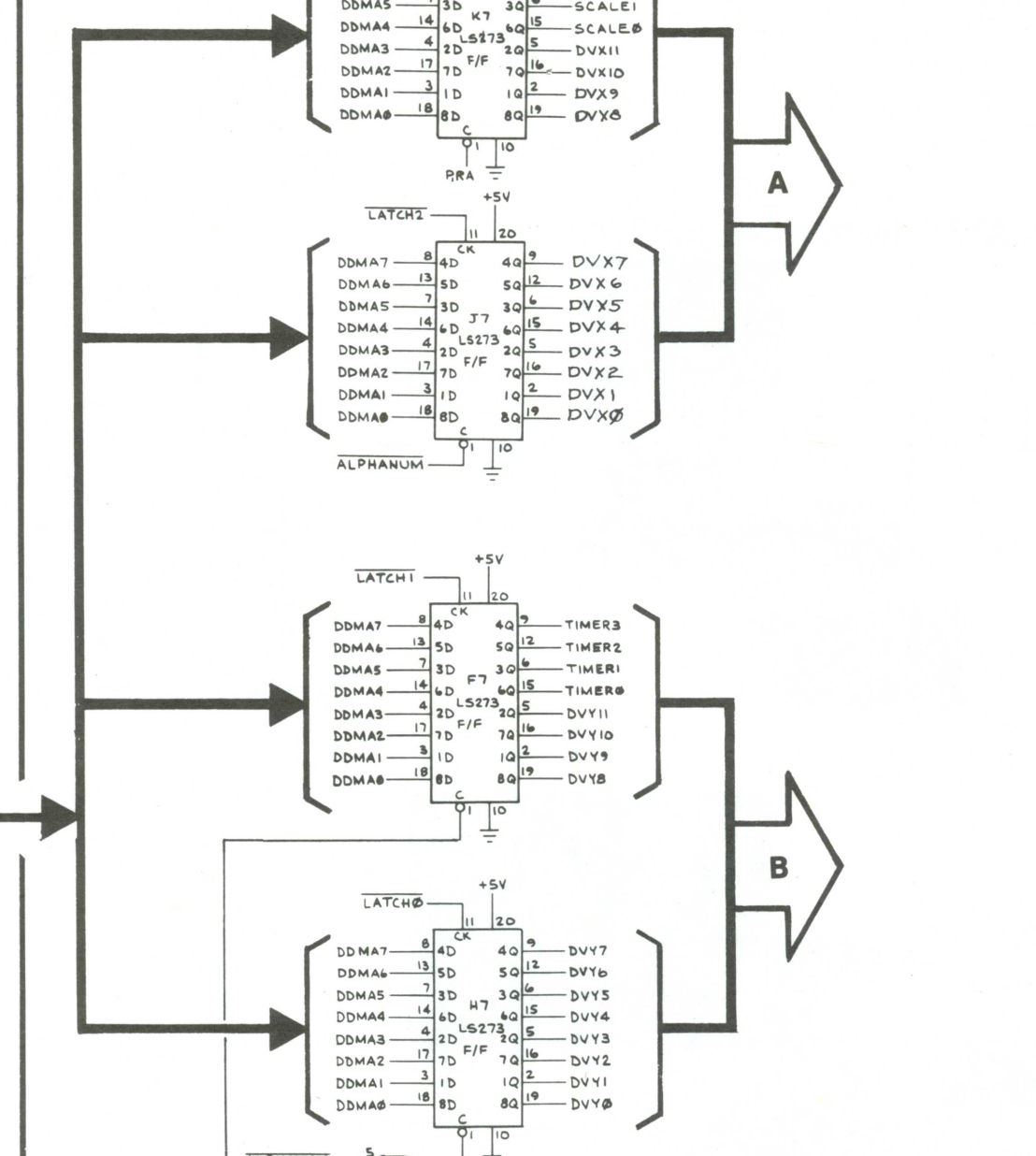
* USE PIN NUMBERS IN PARENTHESES IF BOARD CONTAINS AMB3048 INSTEAD OF 74LS245

Table with 4 columns: VECTOR MEMORY, ROM #, LOC, PROG #, LOC AT KLS. Rows include 035127 NIP3 and 035130 K4.

The vector generator memory consists of 2K of RAM and 4K of ROM. It may be directly accessed by the MPU of the microcomputer through the direct memory access process (DMA). Data is written in from the microcomputer thru data buffer F2 when BUFFER and RWB are low.

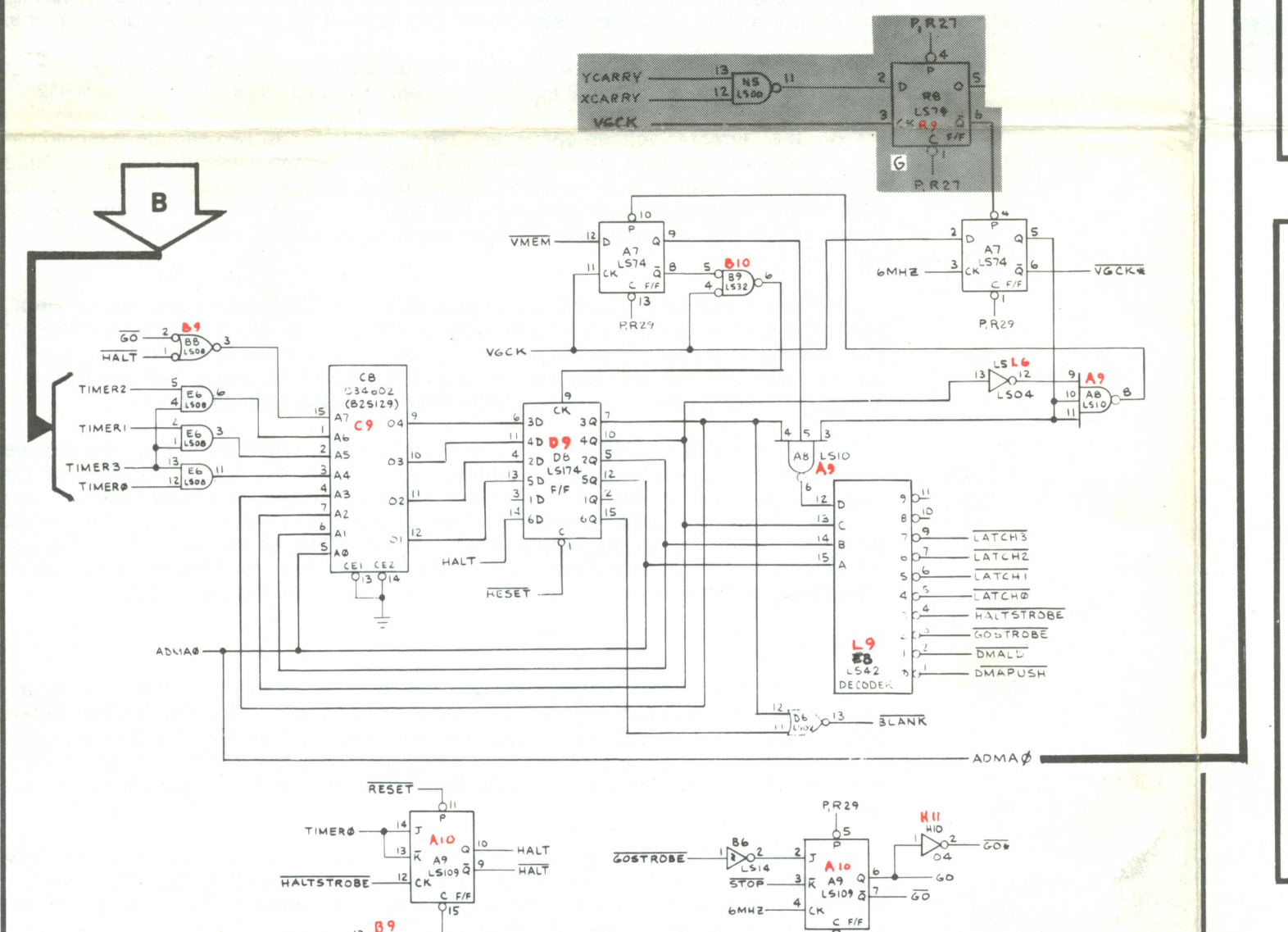
The 2Kx8 vector generator program memory chip NIP3 may be substituted with two equivalent 1Kx8 chips in location K4 and L4.

VECTOR GENERATOR MEMORY DATA LATCHES



The data latches consist of latch 0 (H7), latch 1 (F7), latch 2 (J7), and latch 3 (K7). Inputs DDMAT thru DDMAS are the data outputs from the vector generator memory.

Latches 0 thru 2 are directly clocked by the rising edge of the LATCH0, LATCH1, and LATCH2 outputs from the vector generator's state machine. Latch 3 is clocked by LATCH3 or ALPHANUM if ALPHANUM is low. Latch 0 is cleared when RESET, DMAGO, or ALPHANUM goes low. Latch 1 is cleared by ALPHANUM.



STATE MACHINE

The state machine is the "master controller" of the vector generator circuitry. It receives instructions from the game MPU, via the vector generator RAM. It carries out these instructions by accessing the appropriate sections of the vector generator ROM memory, using the vector generator program counter to do so. The state machine reads the vector generator ROM data (via Timer 0-3) and decodes this information to determine how it should use this data: 1) to draw a vector; 2) to move the monitor beam to a new position on the monitor display; 3) to "jump" to a new vector memory address; 4) to return to a previous vector memory address; or 5) to tell the game MPU that it has completed its current instructions, and is waiting for its next command.

The state machine consists of input gates B8 and E6, ROM C8, latch D8, clock circuitry A7, and decoder E7. Four bit input TIMER0 thru TIMER3 is the operation code input to the state machine. The A4 thru A6 address input to ROM C8 tells the ROM which instructions to perform. Address inputs A0 thru A3 from latch D8 tells the ROM which state was last performed. The address A7 input GO tells the ROM that the position counters are presently drawing a vector. The HALT input to A7 tells the ROM that the vector generator has completed its operations.

During initial power-up of the game, the HALT signal is preset low. The microcomputer reads the high HALT signal through its switch input port (buffer M10) on data line D0. This tells the microcomputer that the vector generator is halted and waiting for an instruction. To ensure that the beam is off when the state machine is halted, the high HALT, clock-

ed through latch D8, results in a low BLANK to the Z axis output.

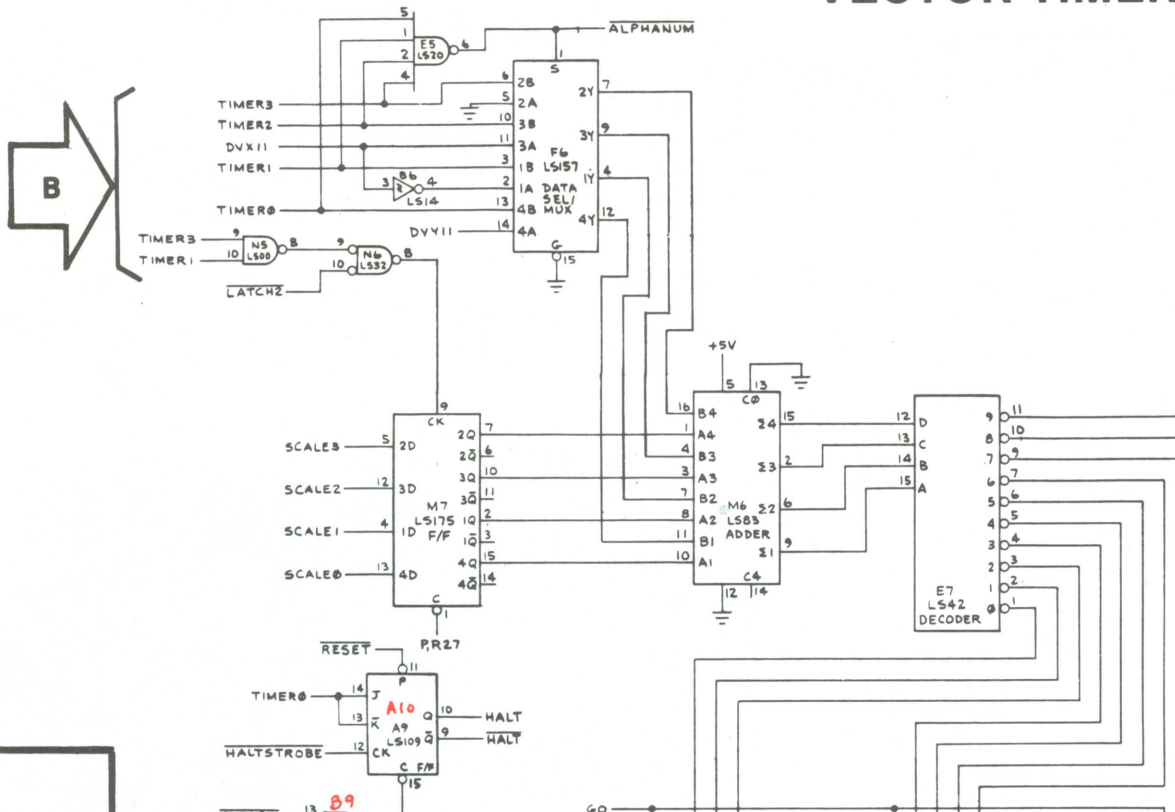
The microcomputer outputs an address that results in a DMAT signal that causes HALT to go high, and clears the vector generator data latches. This makes TIMER0 thru TIMER3 signals all low. The state machine now begins executing instructions, starting at vector memory location 0.

When the state machine receives the operation code for a HALT instruction, it outputs a low HALTSTROBE, setting the HALT flip-flop A9, and suspending state machine operation.

The GO signals load and enable the vector timer and the X and Y position counters and tell the ROM that the vector generator is now actively drawing a vector. The HALT input to GO flip-flop A9 sets the outputs to ensure that the vector timer and position counters are not active when the state machine is halted. When a low GOSTROBE is clocked through A9, the vector timer and X and Y position counters begin to operate from the GO, GO' and GO'' signals. When STOP is clocked through A9, the vector timer has reached its maximum count, and GO goes high. This means the vector has been drawn.

The VGCK input to the clock circuitry is a buffered 1.5 MHz clock signal from the microcomputer. This is the same frequency used to clock the MPU of the microcomputer. The signal clocks latch D8 unless the microcomputer is addressing the vector RAM or ROM memories (when VMEM goes low). Then the clock input to latch D8 goes high and stays high until VMEM goes high.

VECTOR TIMER



STATE MACHINE

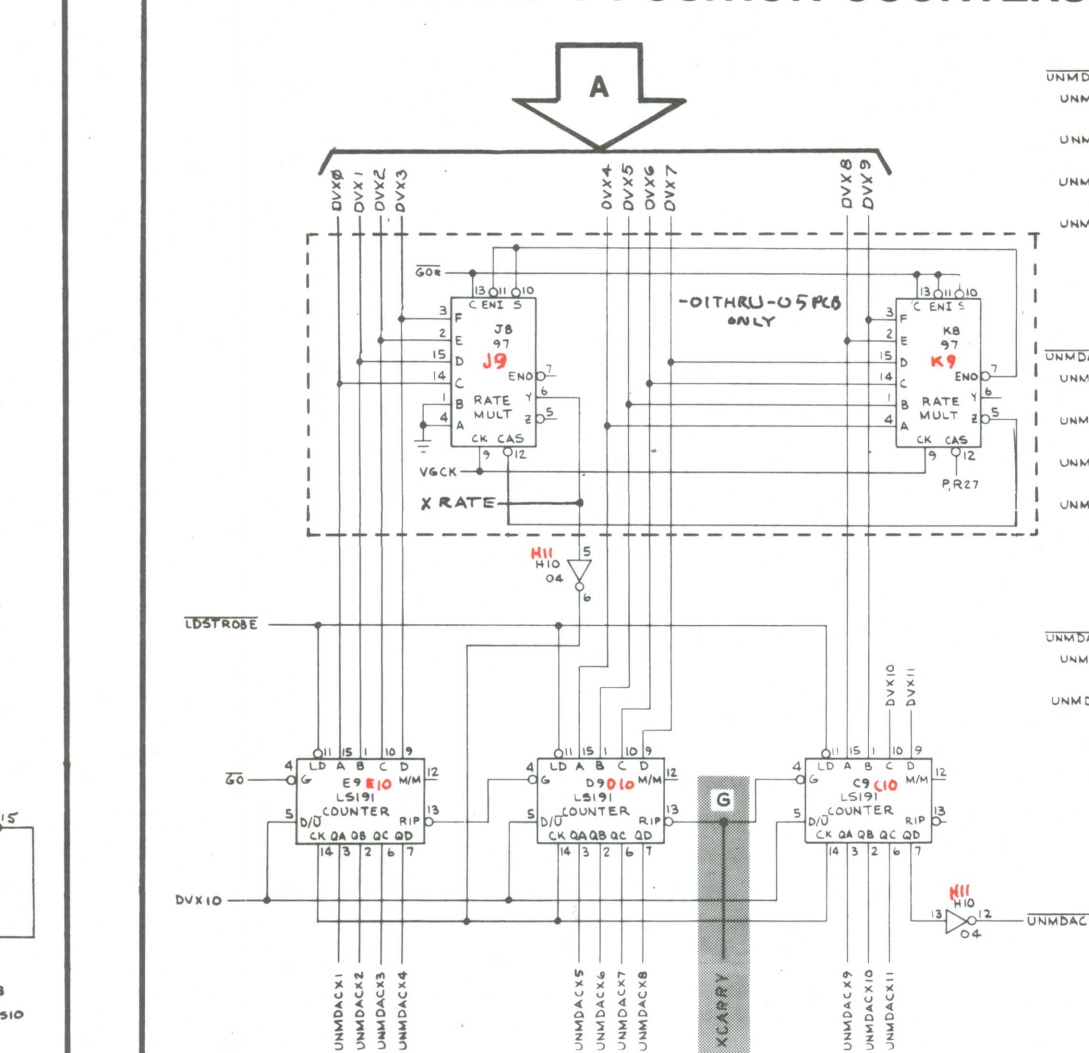
The purpose of the vector timer is to time out the length of time it takes to "draw" an actual vector on the monitor display. During the interval when the X and Y position counters are actually drawing the vector, STOP is high. This prevents the vector generator state machine from advancing to its next state until the vector currently being drawn is completed. As soon as the vector has been drawn, STOP goes low, allowing the state machine to advance to the next state in its intended sequence.

The vector timer consists of multiplexer F6, decoder E7, LATCH M7, ADDER M6, and counters B7, C7, and D7. M7 contains a scale factor which is added in M6 to the four timer signals. If TIMER0 thru TIMER3 inputs are any state but all high, decoder E7 directly decodes the sum and loads the decoded low into one of the counters. When GO goes low, the counters count from the loaded count until the counters all reach their maximum count. This count is a maximum length of 1024. At this time STOP goes low and clears the GO flip-flop of the state machine.

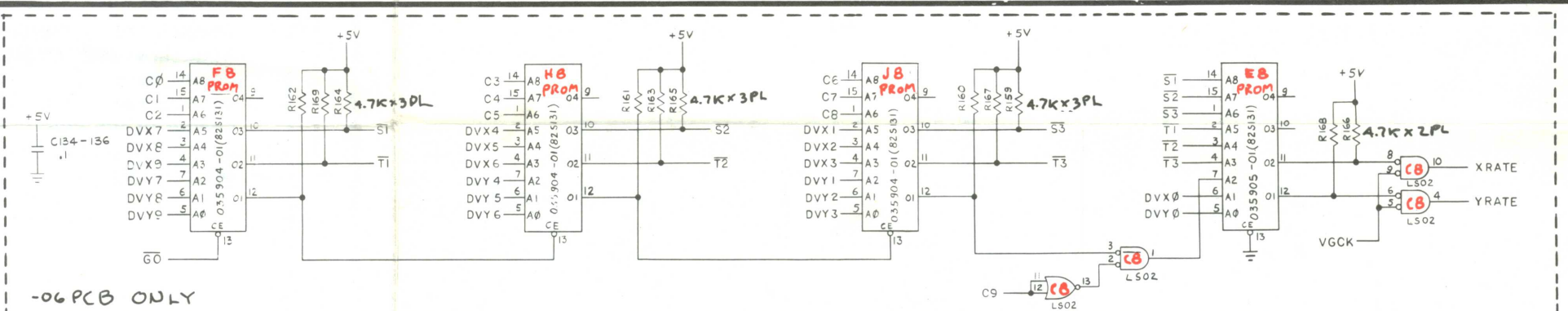
If the TIMER signals are all high, ALPHANUM goes low and data signals DMAT11 and DVY11 are decoded by decoder E7. This is added to the scale factor and loaded into the counters.

The X and Y position counters are two identical circuits. Therefore, the following description discusses only the X position counters. The X position counters contain rate multipliers (J8 and K8), down/up counters (C9, D9 and E9), multiplexers (D10, E10, and F10), and associated gates (B8 and H10). The output of the down/up counters is a 12-bit binary number that represents the horizontal location of the beam on the monitor screen (or X axis), with 0 being the far left side of the screen and 1023 being the far right side of the screen. Increasing or decreasing this binary number output will cause the beam to move to the right or left, respectively. The vector generator state machine decodes instructions from its memory, and then is capable of using that data to alter the binary count of these counters in one of two ways. The state machine can preset these counters to an entirely different number from their previous contents. This will cause the beam to "jump" to a new location on the monitor screen instantaneously, i.e., for drawing a new vector from a different starting position than where the previous vector ended. While the beam is

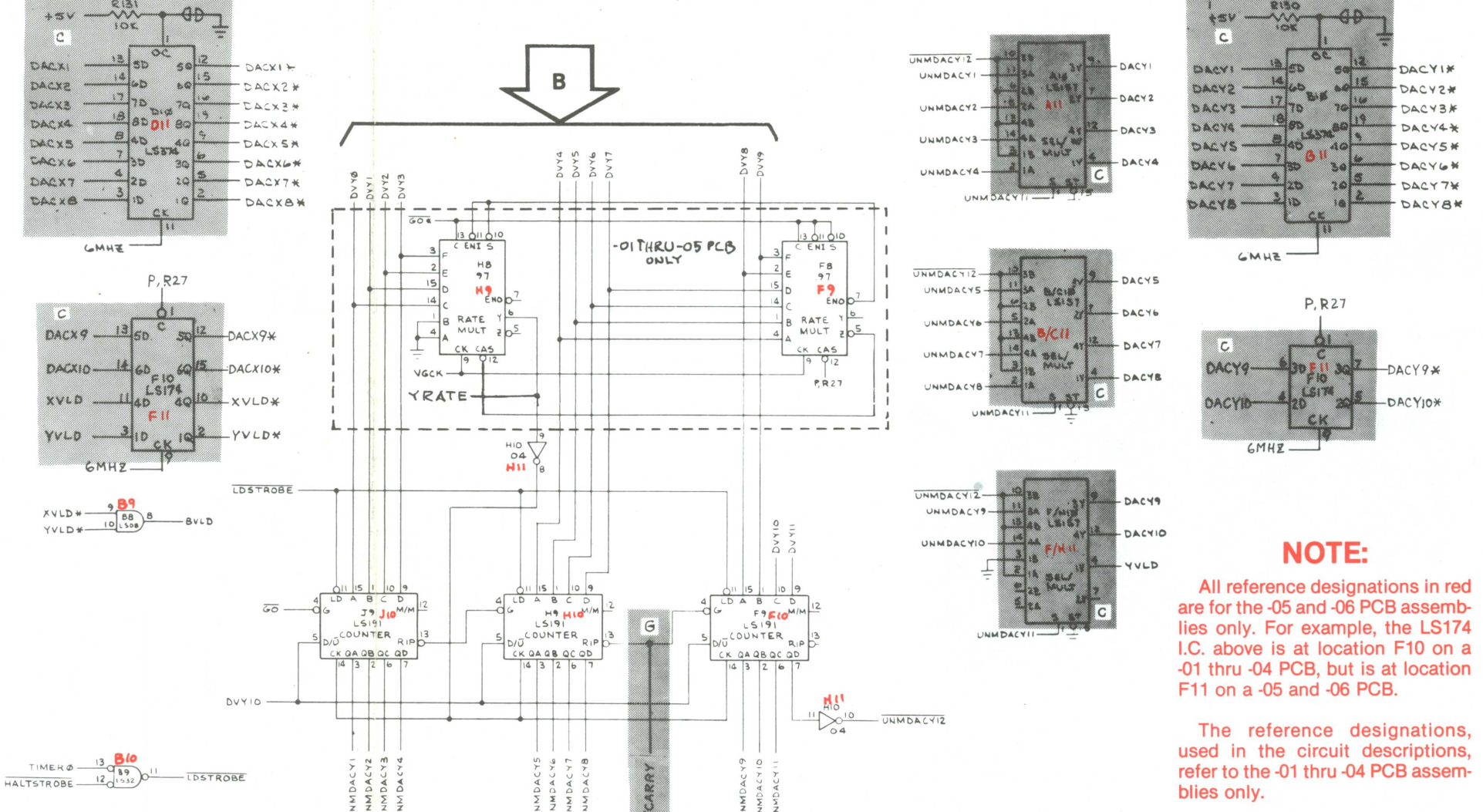
X AND Y POSITION COUNTERS



"jumping" to this new position, the beam itself is turned off to prevent unwanted lines from appearing on the screen. To preset this new position into the counters, the state generator causes LOSTROBE to go low. At this time, a new 12-bit number (DVX0-11) is loaded into the counters from the vector generator memory data latches. The state machine can also instruct these counters to count up or down any specific number of counts. This will cause the beam to move to the left or to the right a specific distance relative to where it was. During this beam movement, the beam is turned on with the desired intensity. This is the procedure used to draw a vector on the monitor screen. The direction (to the left or right) and length (0 to 1023) of the vector to be drawn relative to the beam's current position is determined by DVX0-11 (from the vector generator memory data latches). This data contains information that determines how many clock pulses the counters will receive and whether the counters will count up or down. DVX0-9 memory data is loaded into rate multipliers J8 and K8. The function of these devices is to space the desired number of counter clock pulses at equal intervals over the time period that it will take to draw the desired vector. This insures that vectors of different lengths will still be displayed with the same relative beam intensity. DVX10 and 11 are loaded directly into the counters. DVX10



*06 PCB ONLY



determines whether the counters count up or down. DVX11 is used to control the select input of multiplexers D10, E10, and F10.

The UNMDACX1 thru UNMDACX10 (X axis unmultiplied digital-to-analog converter signals) are transferred to the output of the multiplexers and stored at the outputs of the latches on each rising edge of the 6 MHz clock (from the microcomputer clock circuitry). The DACX1 thru DACX10* signals are sent to the digital-to-analog converters (DACs) in the X video output. The DACX11 thru DACX10* outputs represent the physical placement of the beam on the monitor. The far left of the monitor screen is 0, the center is 512, and the far right is 1023. Therefore, if the DACX11 thru DACX10* signal was greater than 1023, the monitor beam would go off the right side of the screen and start again on the left side of the screen, a "wraparound" condition. To prevent a wraparound, the multiplexers' select input from UNMDACX11 goes high when the count is greater than 1023 or less than 0. This selects UNMDACX12 to be output from the multiplexers to the DACs, forcing all zeros or all ones, and thus keeping the beam on the appropriate side on the screen, instead of allowing it to wraparound. The XVALD and YVALD (X and Y valid) outputs from the X and Y position counter multiplexers are latched and gated together to enable the Z axis output, BVLD (beam valid).

NOTE: All reference designations in red are for the -05 and -06 PCB assemblies only. For example, the LS174 IC above is at location F10 on a -01 thru -04 PCB, but is at location F11 on a -05 and -06 PCB.

The reference designations, used in the circuit descriptions, refer to the -01 thru -04 PCB assemblies only.

Sheet 2, Side A ASTEROIDS Video Generator

Section of 034986-01 thru -04 G 034986-05 and -06 A

