

ZERO DOWNTIME™

VOLUME 2

NUMBER 4

APRIL

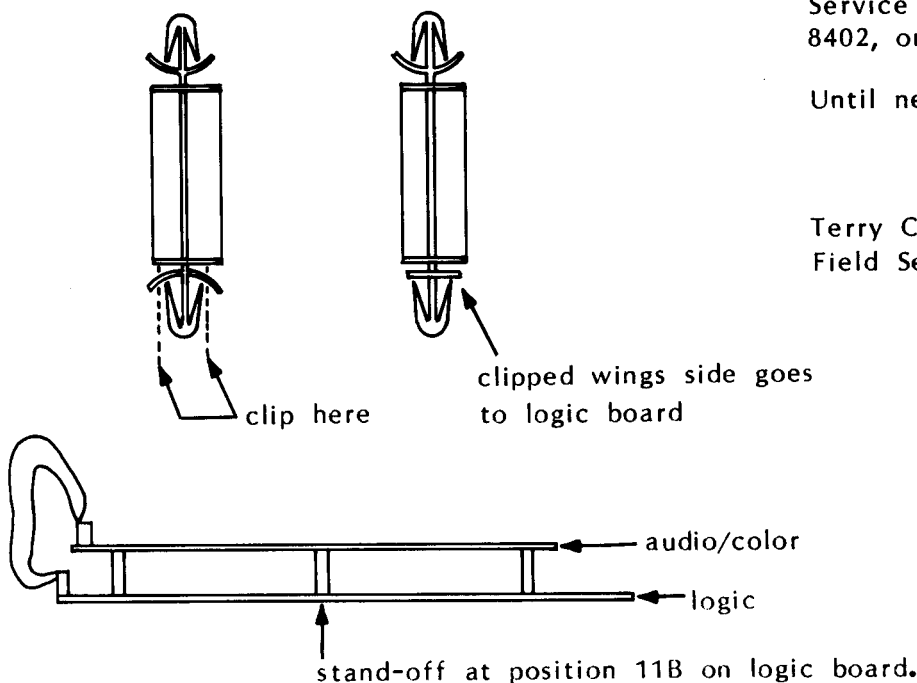
© EXIDY INC. 1982

MOUSETRAP STAND-OFF MODIFICATION

There is a possibility that one of the nylon stand-offs between the logic board and the audio/color board (at position 11B on the logic board) may rotate during shipping and short or cut the traces near it.

To prevent such an occurrence it is recommended that the stand-off be removed and left out or that the nylon "wings" be clipped (see illustration). The wings should be clipped while you have the stand-off removed and then reinsert the stand-off between the two boards.

If your board is malfunctioning, this is a good area to check to see if these traces have been damaged by the stand-off.



MOUSETRAP HIGHER EARNINGS ENHANCEMENT KIT

Are your best Mousetrap players getting too much time for a quarter? If so, Exidy now offers the Mousetrap Higher Earnings Enhancement Kit.

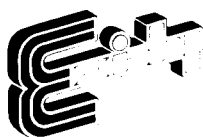
For the beginning and intermediate player, the game challenge is the same as Version 4. When the advanced player, however, reaches the higher levels of play, the game becomes much more difficult and challenging than on any previous version.

The Mousetrap Higher Earnings Enhancement Kit (Version 5) is available from any Exidy distributor.

If you have any questions concerning this information, contact Exidy Customer Service at our toll-free number (800) 538-8402, or at (408) 734-9410.

Until next month,

Terry Cunningham
Field Service Manager



390 Java Dr., Sunnyvale, CA 94086 TEL (408) 734-9410 TELEX 357-499