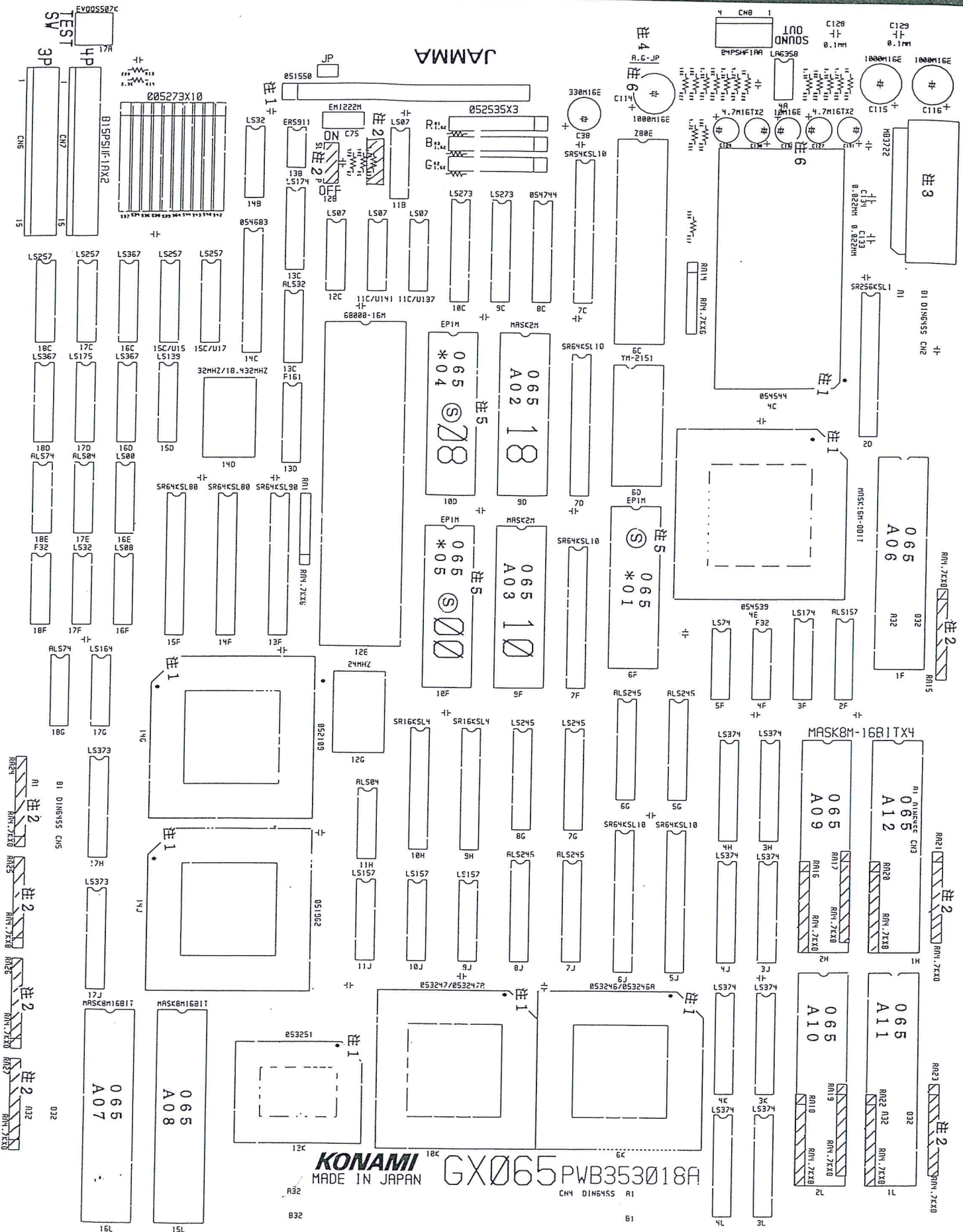
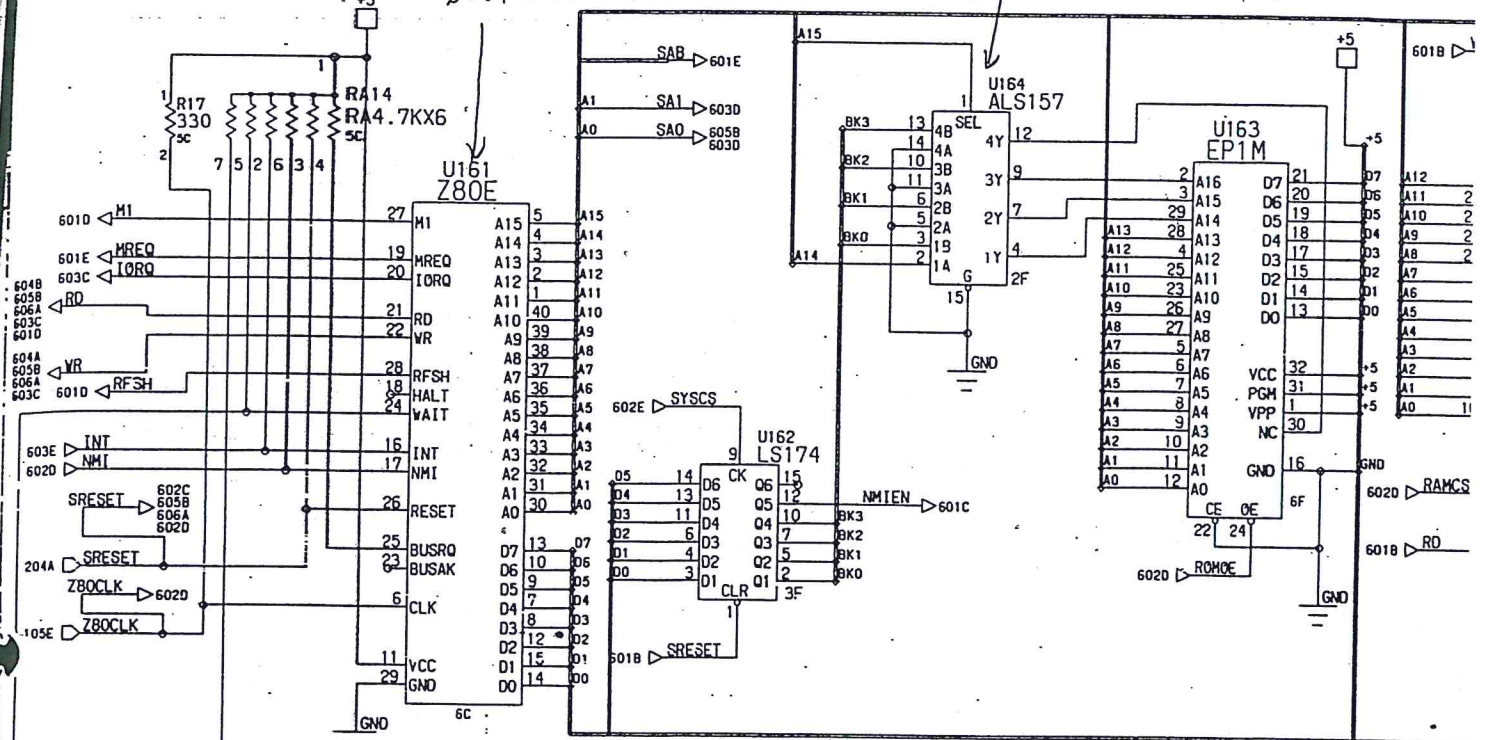


# X-MEN 4 PLAYER PCB LAYOUT

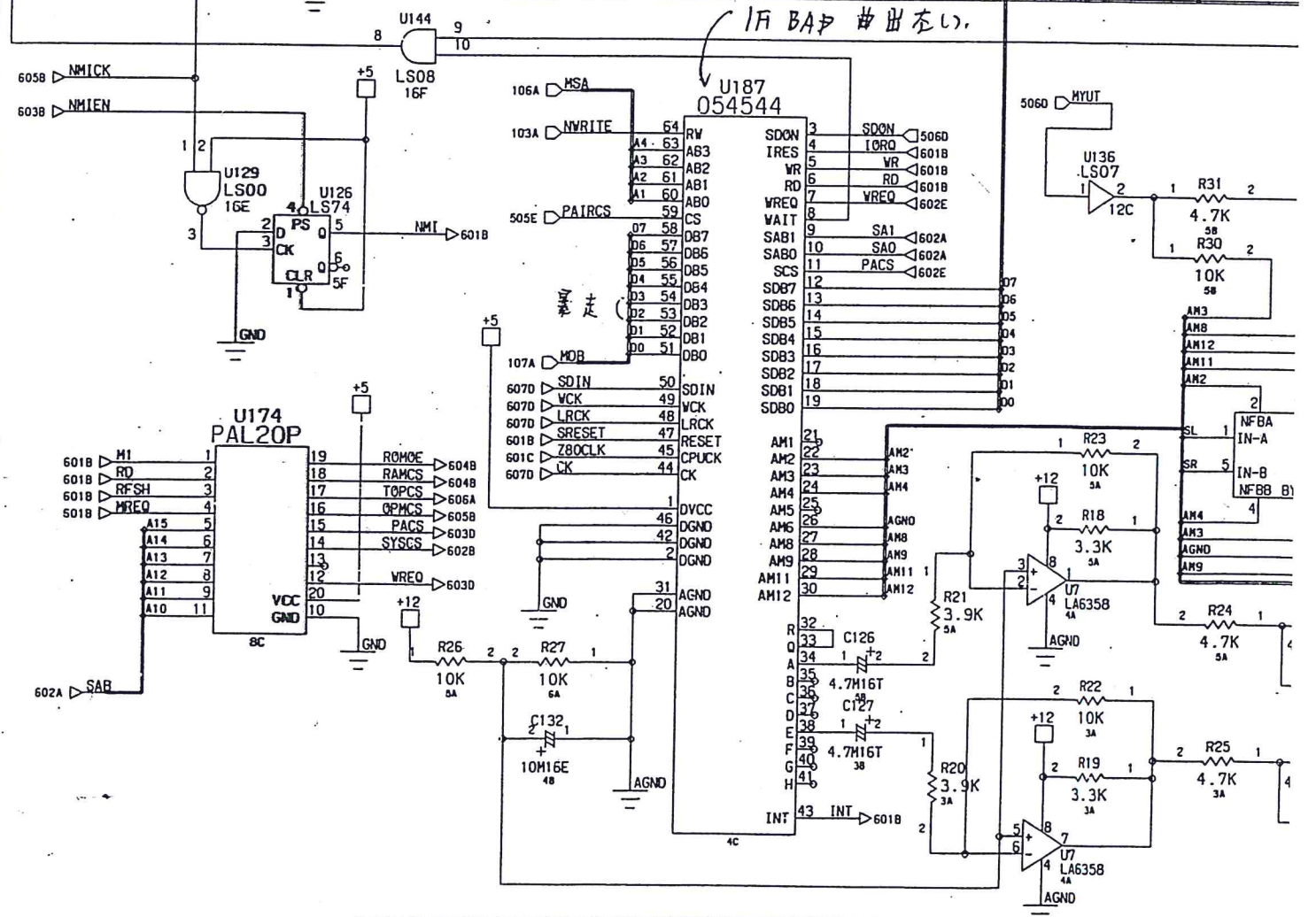


BOM/BAM 42-17 等 30ヶ所を在り可也。

SOUND周辺に付てはBAD



IF BAD 出在り.

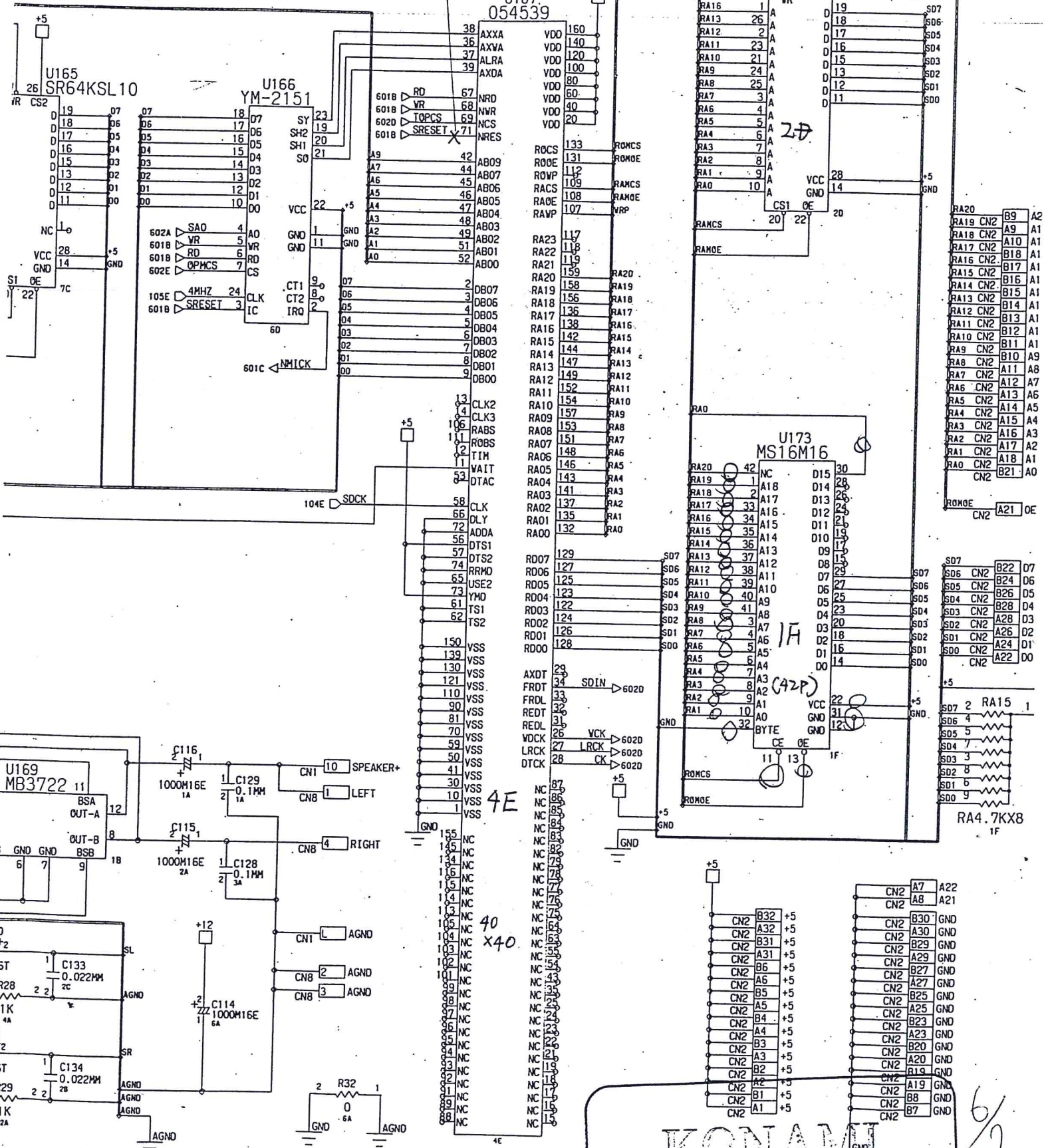


PROPRIETARY AND CONFIDENTIAL:

REPRODUCTION FORBIDDEN WITHOUT THE SPECIFIC WRITTEN PERMISSION OF KONAMI CO.,LTD..7-3-2. MINATOJIMA-NAKAMACHI, CHUO-KU, KOBE 650, JAPAN. THIS DRAWING IS ONLY CONDITIONALLY ISSUED. NEITHER RECEIPT NOR POSSESSION OF THIS DRAWING OR ANY OPERATING MANUAL RELATING TO KONAMI'S GAMES OR PRODUCTS CONTAINING THIS DRAWING CONFERS OR TRANSFERS ANY RIGHT IN OR LICENSE TO USE THE PRINTED CIRCUIT BOARDS RELATING TO THIS DRAWING OR OTHER SUBJECT MATTER OF THIS DRAWING OR ANY OTHER DOCUMENT.

D

77213C  
IF: 7C, 4E, 2D 8AD



DRAWING	DESIGN	H. MATSUURA	TITLE	GX065-4P
	DRAW	H. MATSUURA	SUBTITLE	30SUNDO
	CHECK	H. MATSUURA	PAGE	6/7