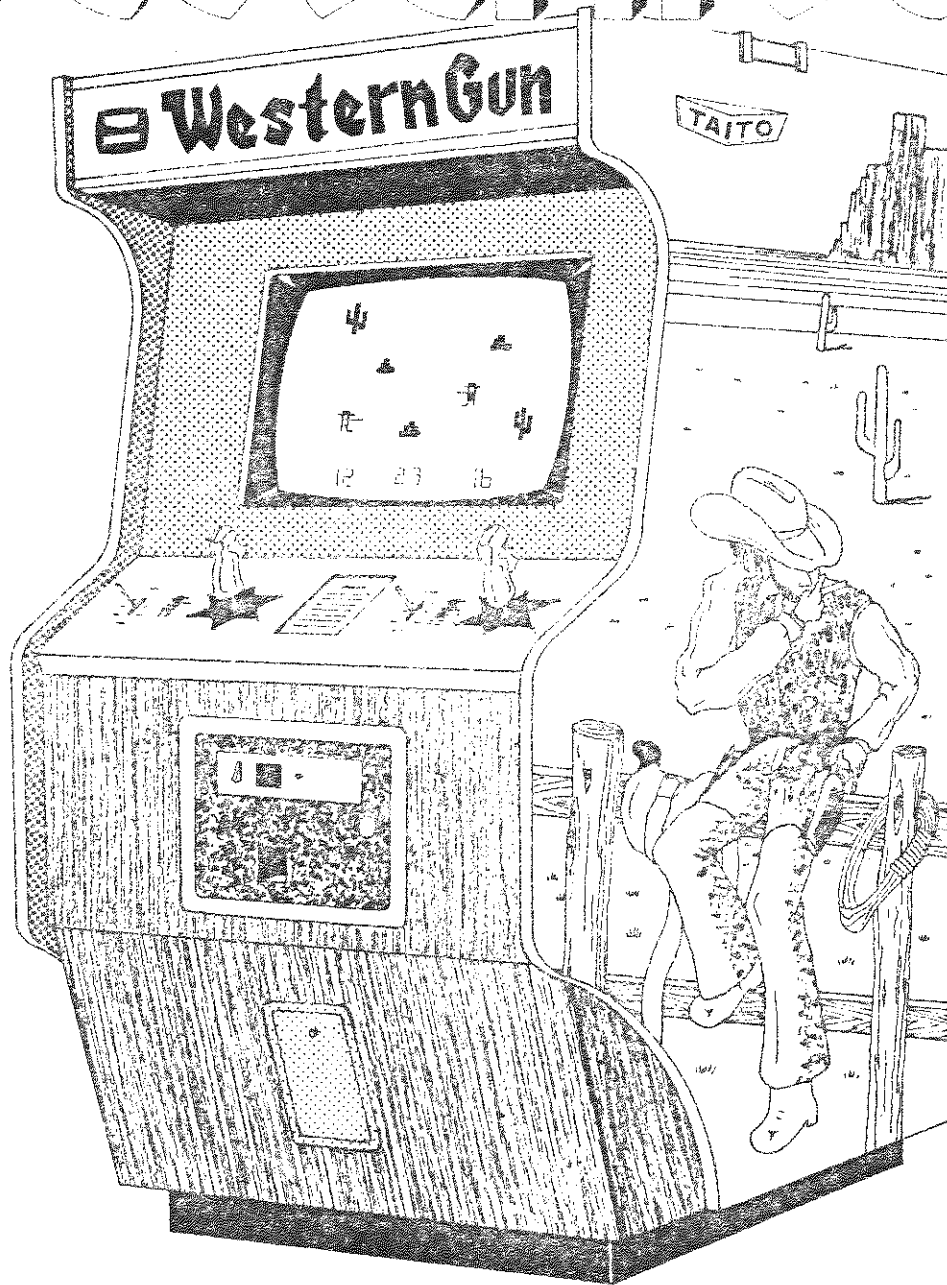


Western Gun



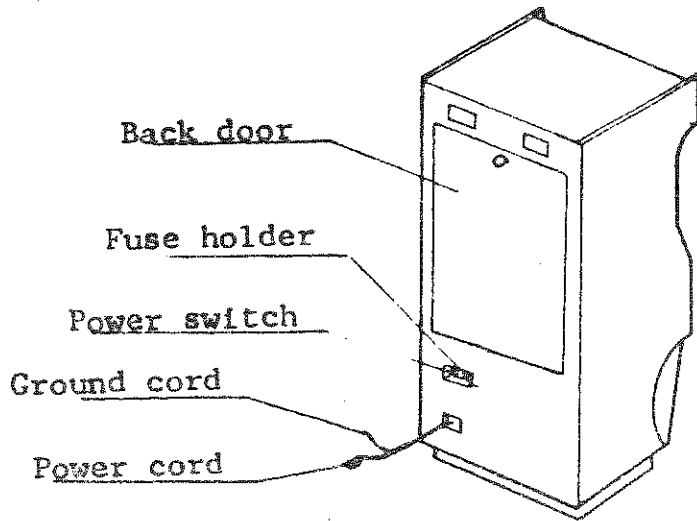
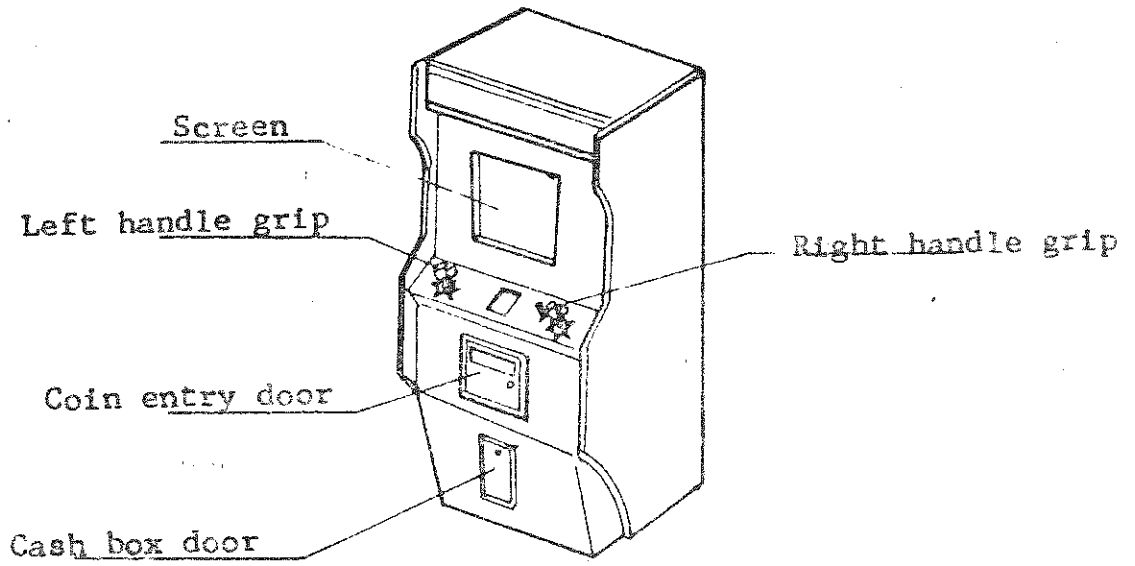
**SERVICE INSTRUCTIONS
AND PARTS CATALOG**



TAITO CORPORATION

WN070011

◦ Name of part



1. Transportation and Installation

- Avoid rough handling during transportation; the picture tube is fragile.
- Avoid installation in locations with exposure to direct sunlight or excessive heat to avoid damage from high internal temperature.
- Connect the ground terminal and the power plug prior to switching on.

Note:

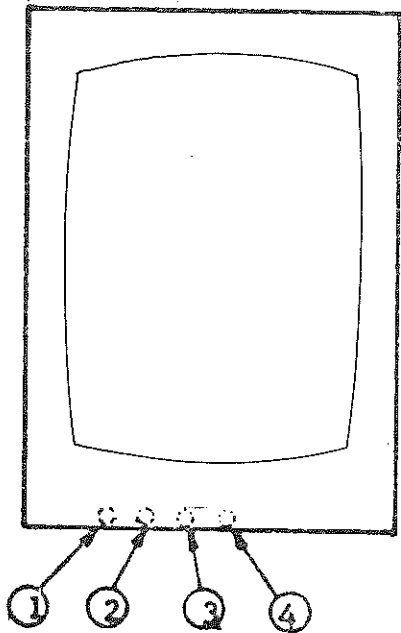
- Erroneous or partial figures may appear on the screen when the machine is first switched on. This is typical of solid-state circuitry and will correct itself automatically when the first game is started.
- TAITO WESTERN GUN uses the latest solid-state circuitry for long life, however, as with all sophisticated electronic equipment certain precautions must be observed to prevent damage:
 - (1) Do not attempt to service the circuitry with ordinary test equipment or it will be damaged by the voltage of the test equipment.
 - (2) Assure proper ventilation. Do not expose the circuitry components to temperatures above 60° C.
 - (3) Do not connect or disconnect any internal receptacles without first switching off the power.

2. Playing Instructions

- Two-player game.
- When the coin is inserted, both cowboys appear on the screen. The right side cowboy wears a black belt.
- The cowboys can move up or down, right or left on the screen by handling the right and left grips, but the cowboys will stop automatically at each side of the screen.
- When the trigger of the grip is pulled, the cowboy shoots. Shooting directions can be changed to the upper, middle, or lower by operating the side control stick.
- Bullet ricochets when it hits a rock, while the cactus disappears by hitting.
- The next shot cannot be made until the former shooting disappears on the screen.
- When hit, the cowboy is flashed down. Soon after that the cowboy is reset and can fight again.
- The figures on the lower middle of the screen show the playing time, which reduce from "90" to "0" that the game is over. Both scores are indicated on the lower right and left of the screen, respectively.
- Two points are scored when a hit is made.

3. Adjustment for TV monitor (front)

- TV monitor is adjusted before shipping, however, if necessary, readjust the controls as follows:



- ① V. Hold (Vertical Hold Control)
- ② Bright (Brightness Control)
- ③ Cont. (Screen Contrast Control)
- ④ Volume (Sound Volume Control)

(1) Adjustment for sound volume

Adjust the control (1) so as to match the sound with the location.

(2) Adjustment for screen brightness

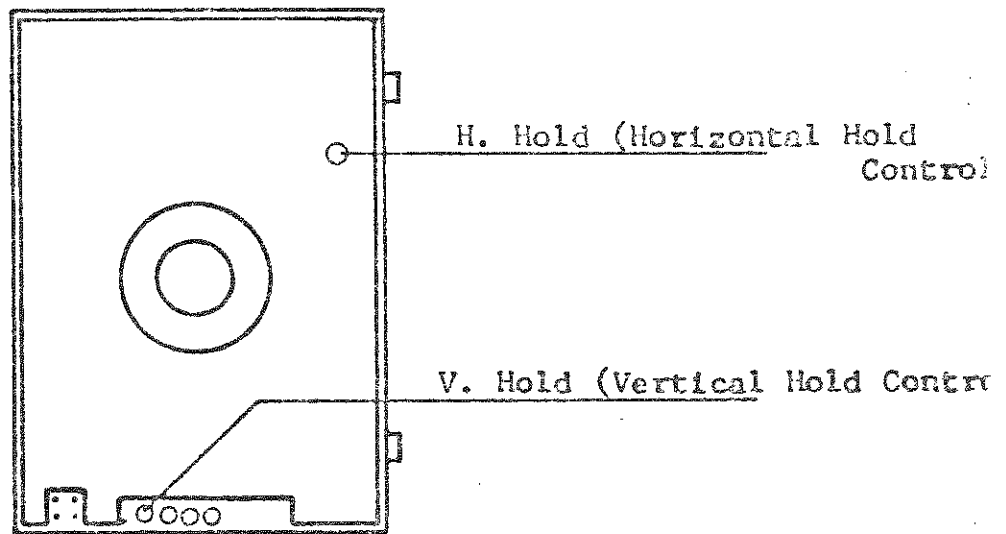
The best screen brightness can be obtained to set the control (2) turned slightly back from the maximum position. Basically, the brightness depends on the situation of the location, so adjust the control (2) accordingly.

(3) Adjustment for screen contrast

Intensifying contrast causes big difference between black and white on the screen. Set the control (3) at the position turned slightly back from the maximum.

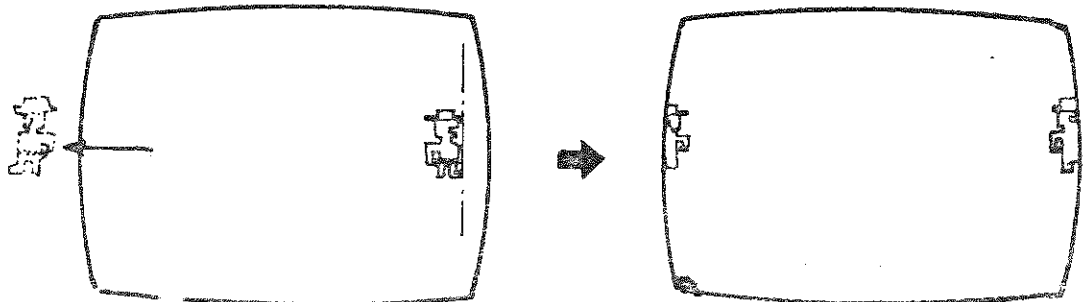
Adjustment for TV monitor (back)

- When the picture on the screen rolls vertically or oblique lines appear on the screen, adjust it by the control knobs as follows:



- (1) When the picture on the screen rolls vertically, adjust it by turning the VERT. HOLD control knob so that the picture roll stops on the screen correctly.
- (2) When oblique lines appear on the screen, adjust it by turning the HORIZ. HOLD control knob so that the normal picture appears on the screen.

In addition, when the HORIZ. HOLD control knob is turned, the picture on the screen is moved in the horizontal direction, therefore, adjust it by turning the control knob so that both cowboys stop symmetrically at the both ends of the screen as shown.

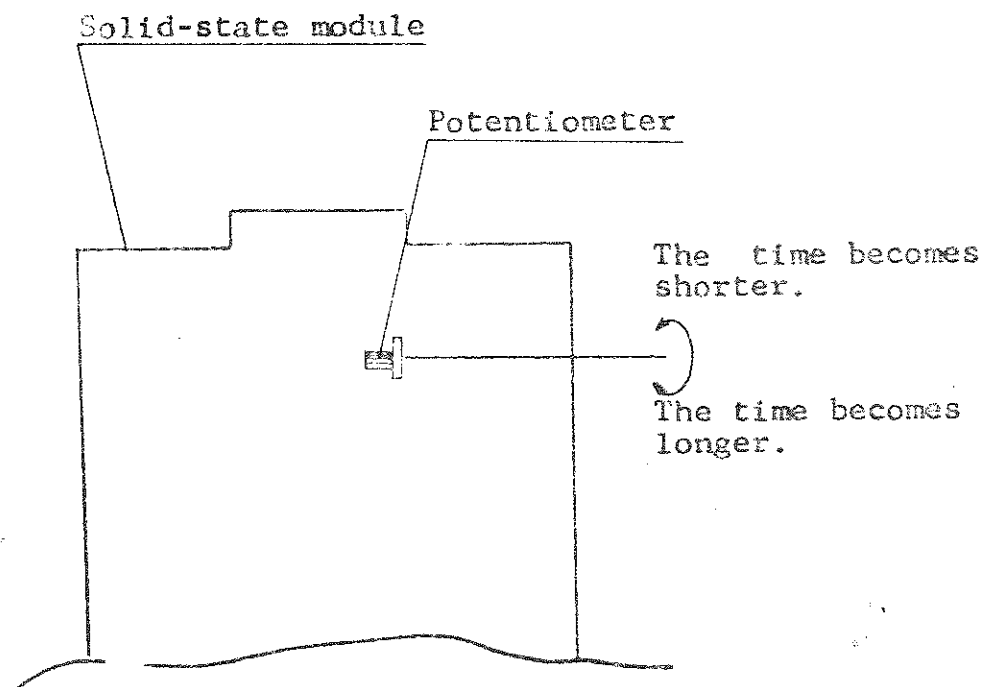


Adjustment for playing time

- The playing time of TAITO WESTERN GUN is adjustable from 130 to 230 seconds. For this adjustment, turn the potentiometer on the solid-state module in the cabinet as shown below.

Note:

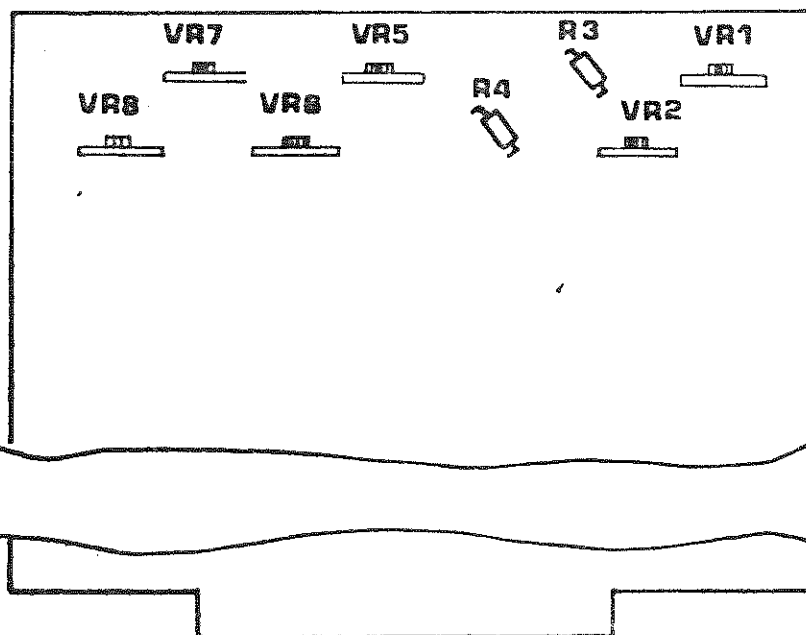
The time is preset to 180 seconds at the factory.



Adjustment for sound board

- VR1) ----- Adjustment for the sound of footsteps of the right-side cowboy
- VR2) ----- Adjustment for the sound of footsteps of the right-side cowboy
- VR3) ----- Fixed resistance
- VR4) ----- Fixed resistance
- VR5 ----- Adjustment for hit sound of the cowboys
- VR6 ----- Adjustment for hit sound of the rocks
- VR7 ----- Adjustment for hit sound of the cowboys
- VR8 ----- Adjustment for shooting sound

- The sound of footsteps of the left-side cowboy is preset.
- The hit sound of the cactus is produced by the main board.
- The sound of footsteps of the right-side cowboy, hit sound of the cowboys, and hit sound of the rocks will be oscillated when the reverberation time is long. Adjust the potentiometers so that no oscillation occurs.



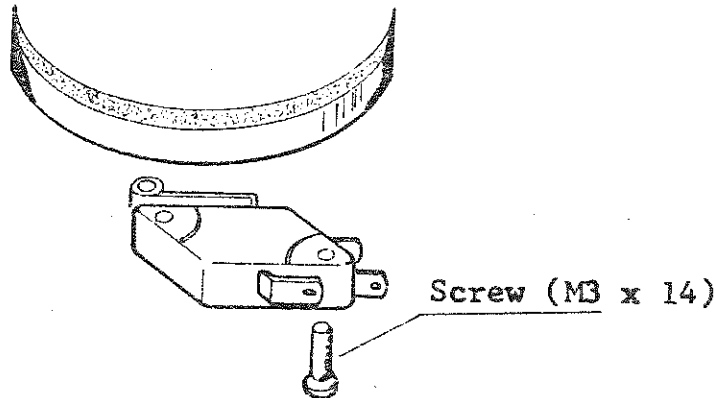
Mechanism

◦ Handle grip

When the handle grip is moved up or down, right or left, the cowboy moves on the screen accordingly. If the cowboy does not move when the handle grip is moved, or the cowboy moves when the handle grip is not moved, the micro switch is assumed to be out of order. Make sure the trouble.

Replacement of micro switch:

Remove the screw (M3 x 14), and resolder the wiring, and replace the micro switch.

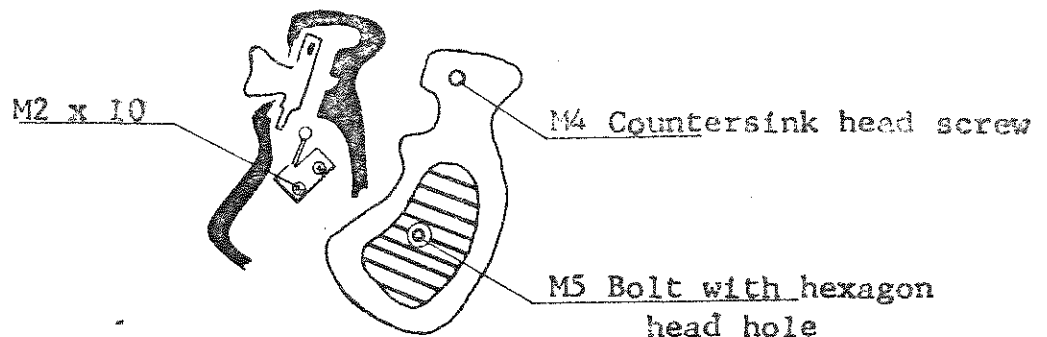


◦ Trigger

When the Trigger of the handle grip is pulled, the cowboy shoots. If the cowboy does not shoot when the trigger is pulled, the micro switch in the handle grip is assumed to be out of order. Make sure the trouble.

Replacement of micro switch:

Remove the screw (M2 x 10), and resolder the wiring, and replace the micro switch.

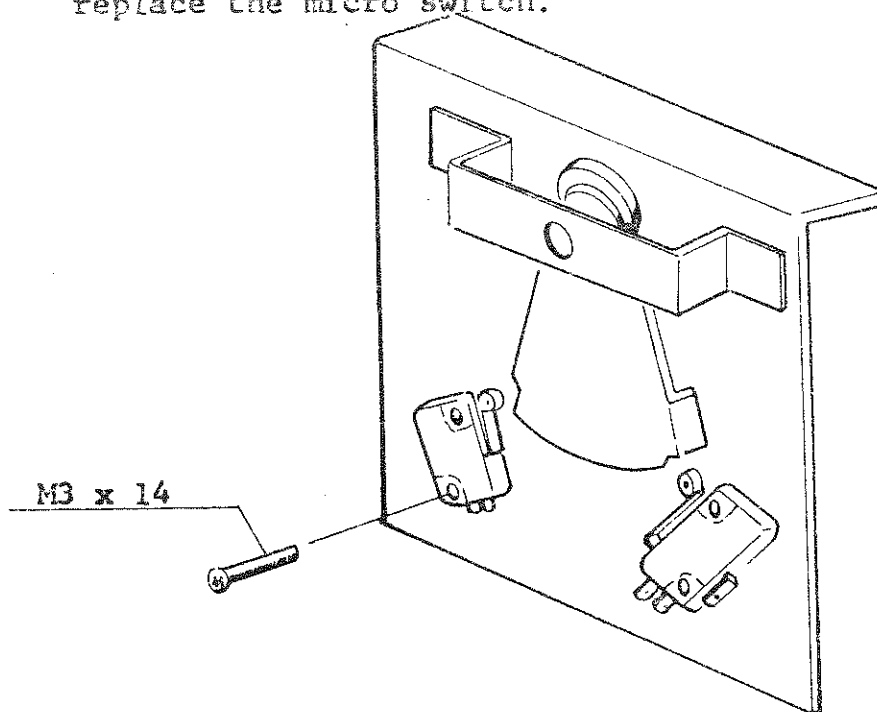


◦ Side control stick

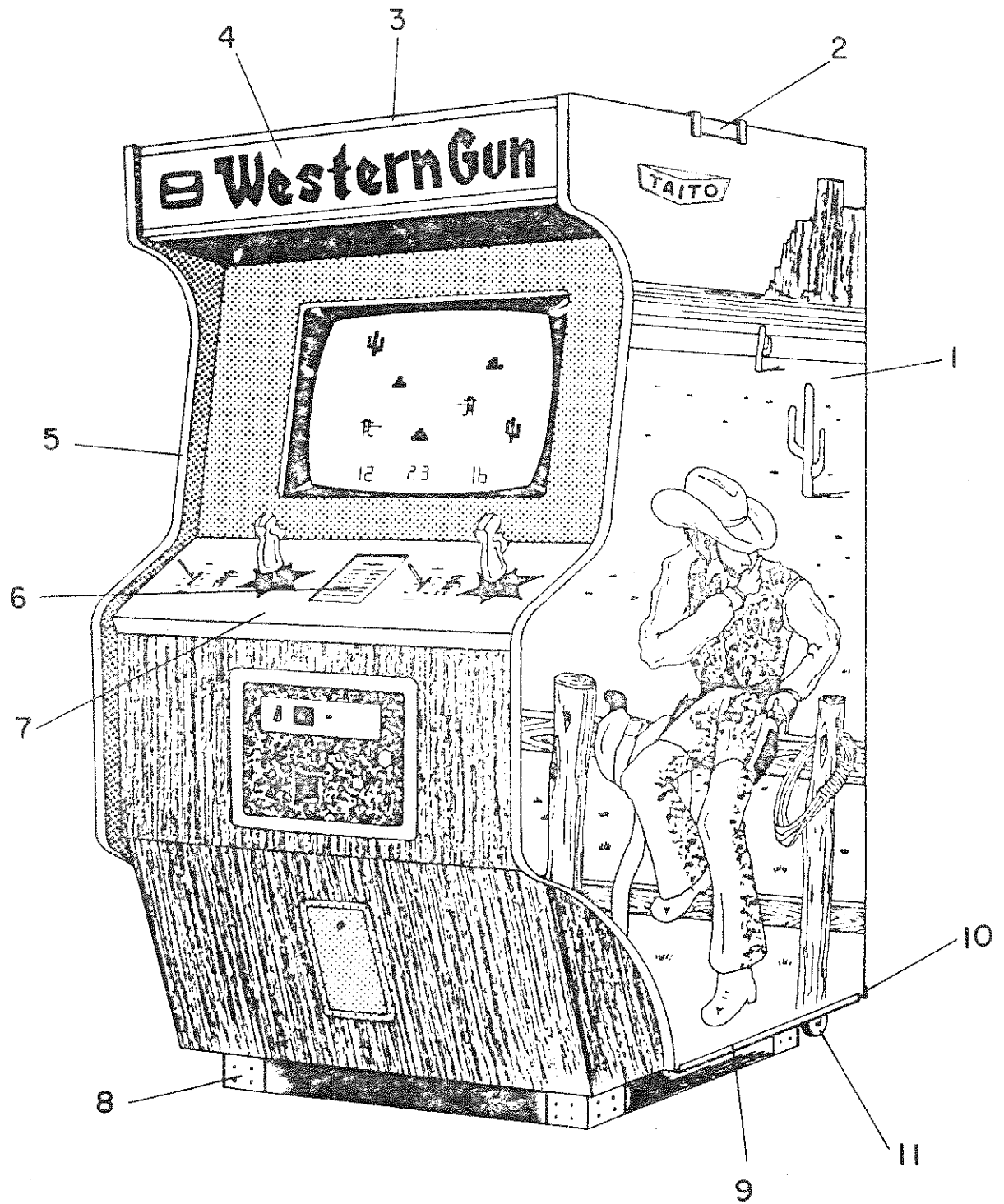
Shooting directions can be changed to the upper, middle, or lower by operating the side control stick. If the shooting directions are not changed when the stick is operated the micro switch is assumed to be out of order. Make sure the trouble.

Replacement of micro switch:

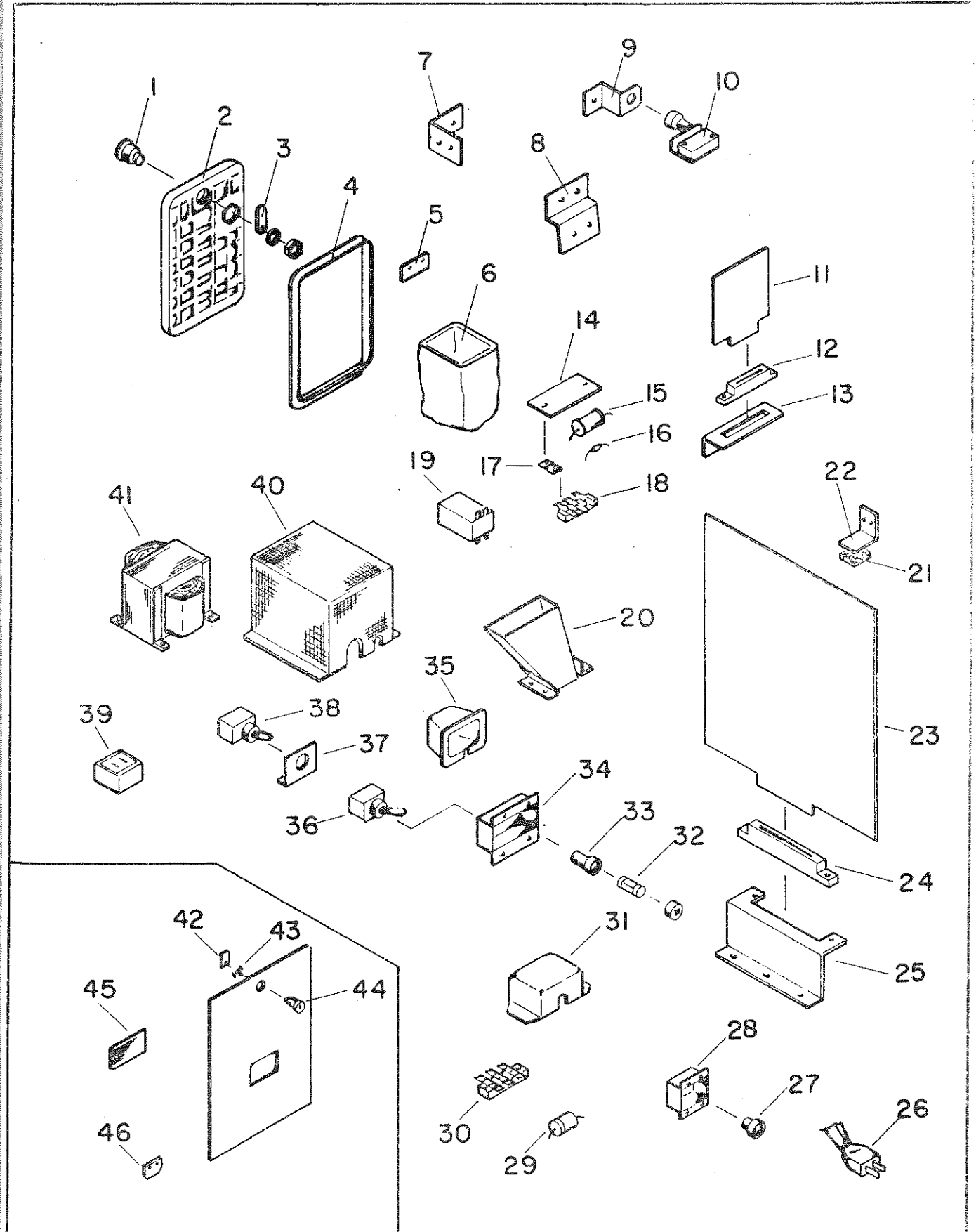
Remove the screw (M3 x 14), and resolder the wiring, and replace the micro switch.



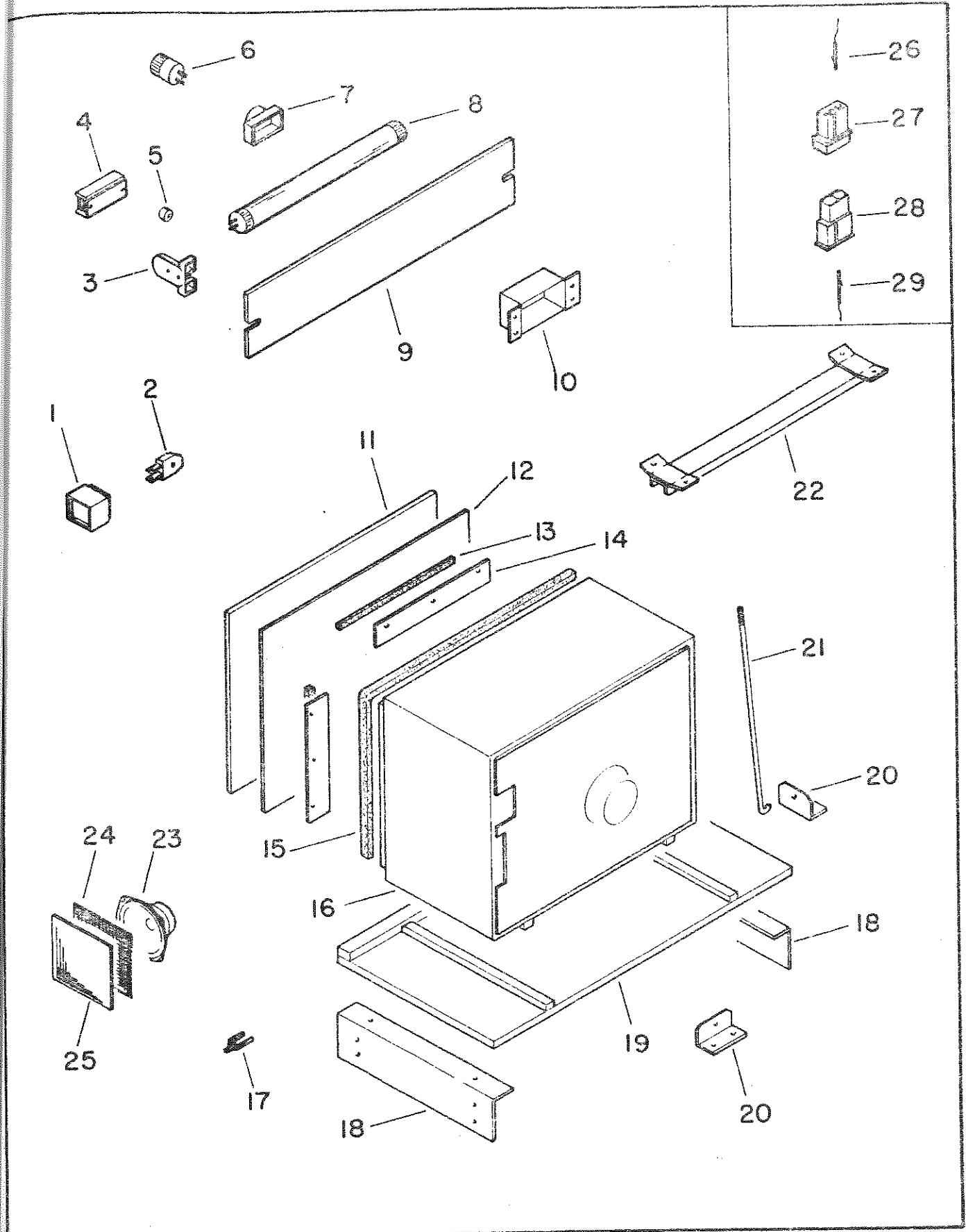
CABINET ACCESSORY ASS'Y



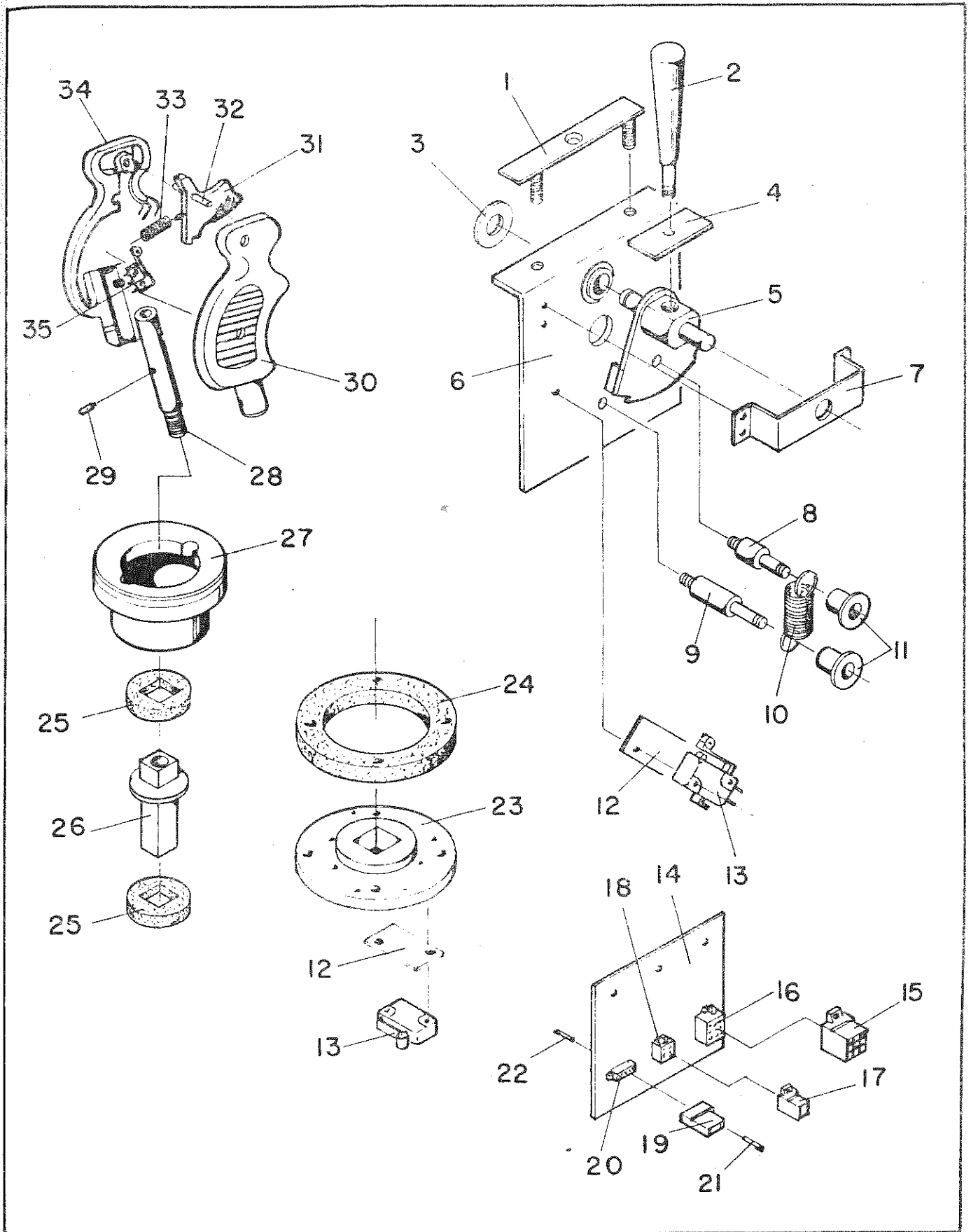
CABINET ASS'Y



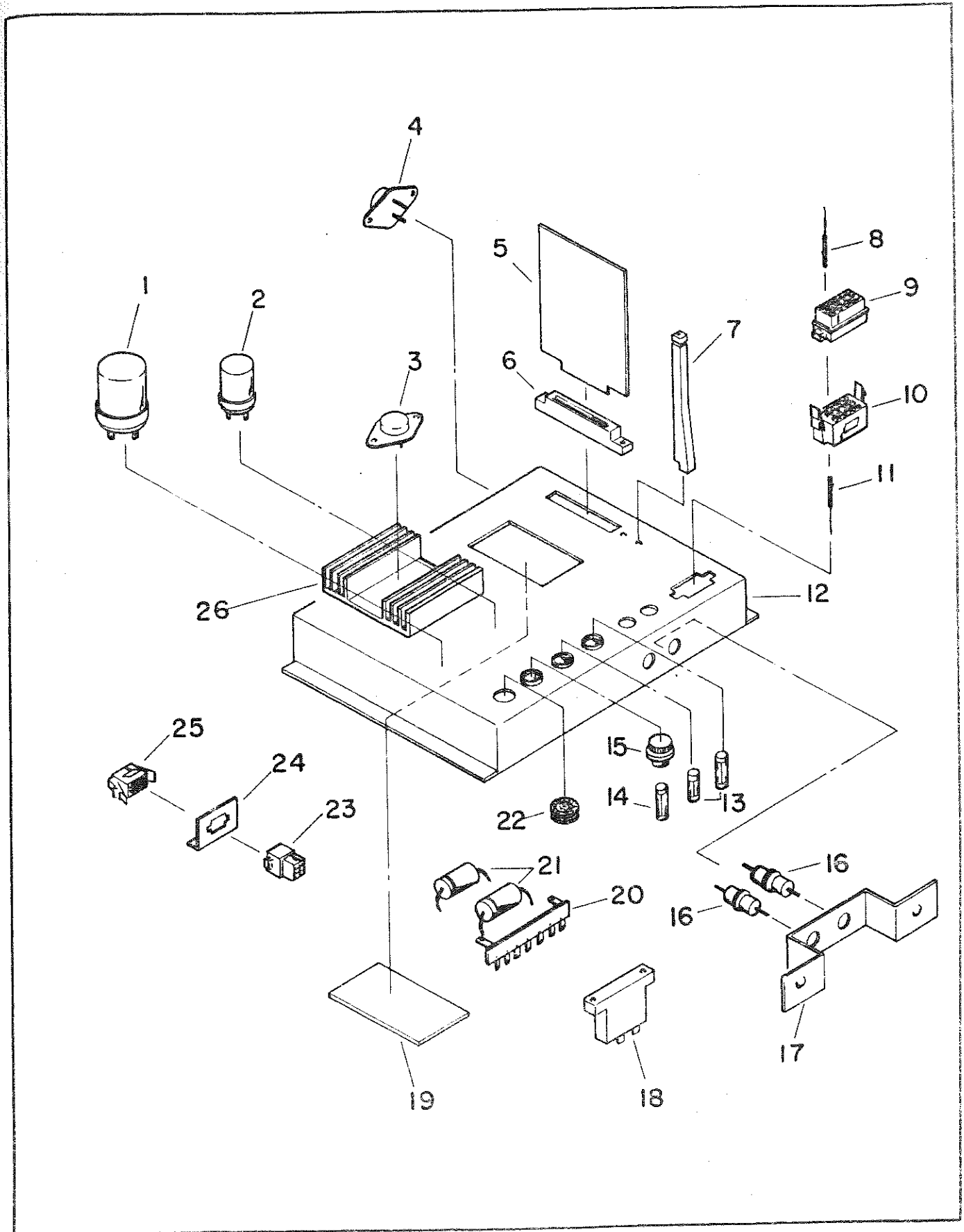
VIDEO AND FLUORESCENT LAMP ASS'Y



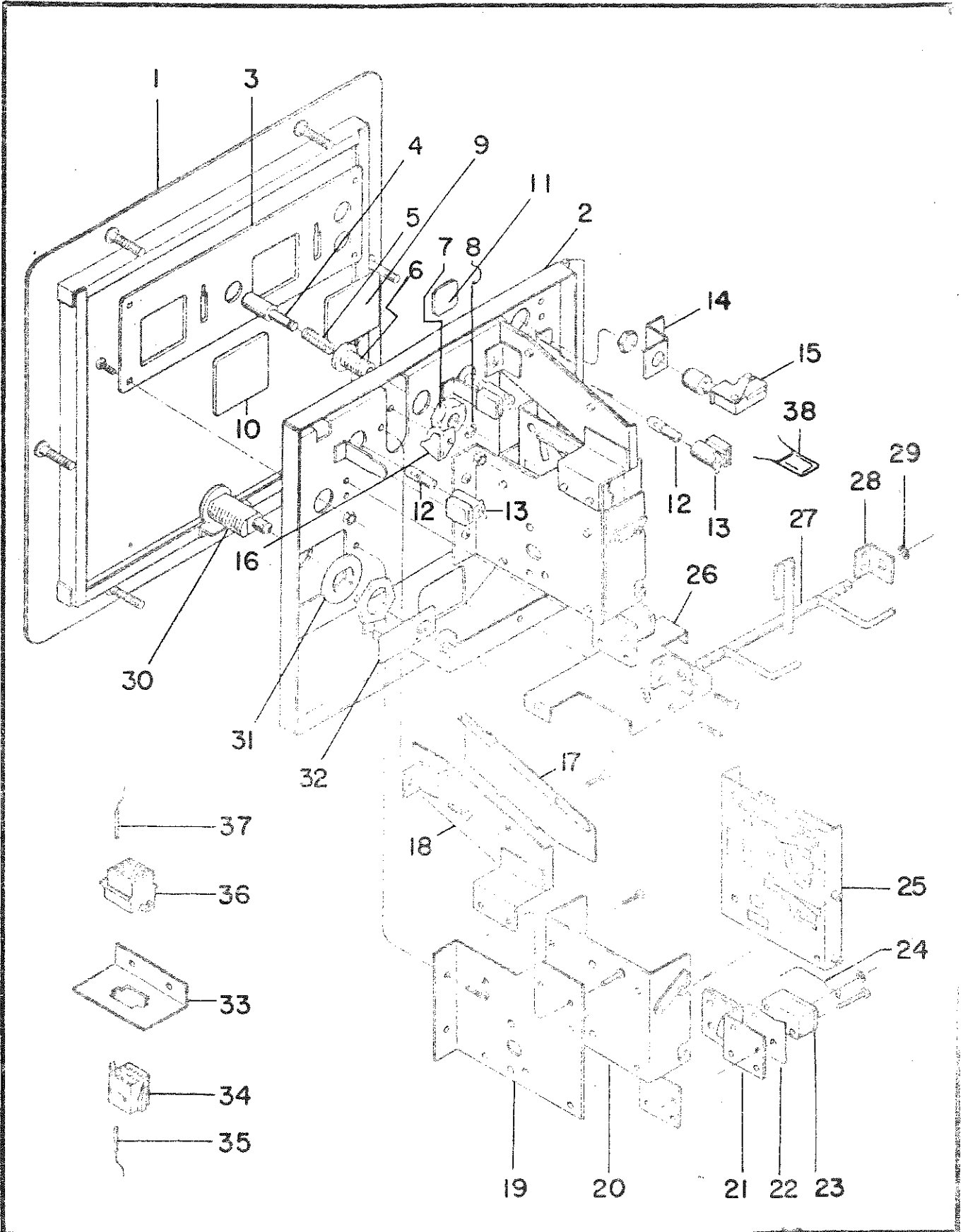
CONTROL PLATE ASS'Y



REGULATOR ASS'Y



FRONT DOOR AND GUIN MECHANISM ASS'Y



CABINET ACCESSORY ASS'Y

Item	Part #	Description
1	WNO 10004	Cabinet
2	AAO 14511	Molding
3	WNO 40002	Retainer Frame
4	WNO 70002	Title Plate
5	AAO 14512	Edge
6	WNO 70003	Instruction Plate
7	WNO 70001	Control Panel
8	AAO 13519	Corner Bracket
9	WNO 40001	Corner Protector
10	WNO 40008	Corner Protector A
11	AAO 16513	Caster

CABINET ASS'Y

Item	Part #	Description
1	AAO 16501	Lock & Key
2	AAO 26505	Cash Box Door
3	AAO 13511	Lock Plate
4	AAO 26506	Cash Box Door Frame
5	AAO 13533	Lock Retainng
6	AAO 28501	Cash Bage
7	EPO 30007	Support Bracket
8	WNO 30003	Bracket
9	AAO 13552	Switch Bracket
10	AAO 52511	Switch
11	SEN 00006	Meter Drive P.C. Board Ass'y

12	AAO 55720	Connector 10P
13	BAO 30003	Socket Bracket
14	AAO 19509	Cover 3P
15	AAT 55033	Resistor 6Ω 2W
16	AAT 12002	Diode V03C
17	AAO 13518	Cover Bracket
18	AAO 56511	Contact Strip Ass'y
19	AAO 51615	Counter
20	SPO 30008	Coin Shute
21	SPO 80004	Rubber
22	WNO 30013	Stopper
23	WNN 00001	Main P.C. Board Ass'y
24	AAO 55774	Connector 44P
25	WNO 30011	Socket Bracket
26	AAO 62506	Cable & Plug Ass'y
27	AAO 69503	Mold Cord Bush
28	AAO 13553	Bracket
29	AAT 41194	Capacitor OP40T-01
30	AAO 56511	Contact Strip Ass'y
31	AAO 19520	Cover
32	AAO 63504	Fuse 3A
33	AAO 55784	Fuse Holder
34	AAO 13551	Switch Bracket
35	AAO 19519	Cover
36	AAO 52501	Switch
37	SEO 30028	Switch Bracket
38	AAO 52535	Switch
39	AAO 55715	A.C. Socket
40	WNO 30010	Transformer Cover
41	AAO 57531	Transformer

42	AAO 13510	Lock Plate
43	AAO 13524	Lock Washer
44	AAO 16530	Lock & Key #7500
45	AAO 30010	Ventilator

VIDEO & FLUORESCENT LAMP ASS'Y

Item	Part #	Description
1	AAO 55715	A.C. Socket
2	AAO 55713	A.C. Plug
3	AAO 55694	F.L. Socket
4	AAO 57504	Ballast
5	AAO 12510	Spacer
6	AAO 54720	Glow Lamp 1P
7	AAO 55695	Glow Lamp Socket
8	AAO 54711	Fluorescent Lamp 15W
9	WNO 10003	P.D. Board
10	AAO 13512	Cover
11	WNO 90005	Front Glass
12	WNO 90006	Color Plate
13	EPO 80001	Sponge Rubber
14	EPO 30005	Glass Stopper Plate
15	SFO 80003	Rubber
16	AAO 69513	Video
17	AAO 56541	Terminal
18	SEO 30009	Base
19	WNO 10006	Video Board

20	SEO 30012	Bracket (A)
21	WNO 20011	Video Stopper Shaft
22	WNO 30014	Video Stopper
23	AAT 71001	Speaker
24	WNO 90007	Net
25	WNO 30015	Ventilator
26	AAO 55641	Contact Pin
27	AAO 55502	Mate-N-Lok Cap 2P
28	AAO 55501	Mate-N-Lok Plug 2P
29	AAO 55642	Contact Socket

CONTROL PLATE ASS'Y

Item	Part No	Description
1	WNO 30005	Lock Plate
2	WNO 20004	Stick
3	AAL 61022	Washer
4	WNO 30006	Slide Plate
5	WNO 30004	Cam
6	WNO 30008	Switch Base
7	WNO 30007	Stopper Bracket
8	WNO 20002	Spring Hook (B)
9	WNO 20001	Spring Hook (A)
10	WNO 50001	Spring
11	WNO 20003	Collar

12	AAO 19504	Insulator (V)	
13	AAO 52532	Switch V-15 FL22-1A	
14	WNO 30009	Socket Bracket	
15	AAO 55581	Mate - N - Lok Cap	9P
16	AAO 55582	Mate - N - Lok Plug	9P
17	AAO 55561	Mate - N - Lok Cap	6P
18	AAO 55562	Mate - N - Lok Plug	6P
19	AAO 55541	Mate - N - Lok Cap	4P
20	AAO 55542	Mate - N - Lok Plug	4P
21	AAO 55641	Contact Pin	
22	AAO 55642	Contact Socket	
23	WNO 40007	Switch Bracket	
24	WNO 80003	Rubber Ring	
25	WNO 80004	Rubber Washer	
26	WNO 20006	Hub	
27	WNO 40006	Bushing	
28	WNO 20005	Shaft	
29	WNO 20008	Pin	
30	WNO 40004	Grip (R)	
31	WNO 40005	Trigger	
32	WNO 20007	Trigger Shaft	
33	WNO 50002	Trigger Spring	
34	WNO 40003	Grip (L)	
35	AAO 52550	Switch SSL1L2	

REGULATOR ASS'Y

Item	Part #	Description
1	AAT 41166	Capacitor 16LASN22000
2	AAT 41162	Capacitor 16LBSN2200
3	AAT 11045	Transistor
4	AAT 31012	Regulator
5	WNN 00002	Sound P.C. Board Ass'y
6	AAO 55721	Connector 14P
7	AAO 69520	P.C. Board Bracket
8	AAO 55641	Contact Pin
9	AAO 55621	Mate-N-Lok Cap 15P
10	AAO 55622	Mate-N-Lok Plug 15P
11	AAO 55642	Contact Socket
12	SEO 30024	Regulator base
13	AAO 63505	Fuse 5A
14	AAO 63501	Fuse 05A
15	AAO 55700	Fuse Holder
16	AAT 12027	Diode 6BQ11
17	SEO 30027	Mounting Bracket
18	AAT 14002	Rectifier 5B1
19	DAO 70016	Regulator P.C. Board
20	AAO 56528	Contact Strip Ass'y
21	AAT 41139	Capacitor 50T470
22	AAO 18508	Grommet
23	AAO 55561	Mate-N-Lok Cap 6P
24	AAO 13526	Socket Bracket
25	AAO 55562	Mate-N-Lok Plug 6P
26	AAO 69523	Heat Sink

FRONT DOOR AND COIN MECHANISM ASS'Y

Item	Part #	Description
1	AAO 26502	Door Frame
2	AAO 26501	Front Door
3	AAO 21517	Coin Entry Plate
4	AAO 27501	Push Button
5	AAO 15501	Spring
6	AAO 27502	Button Holder
7	AAO 12508	Nut
8	AAL 65007	"E" Ring ETWJ-4
9	AAO 29506	Price Label ¥100
10	AAO 19501	Replay Plate
11	AAO 54704	Lamp 12V 150mA
12	AAO 55698	Lamp Socket
13	AAO 13504	Switch Bracket
14	AAO 52511	Push Button Switch
15	AAO 21501	Coin Entry
16	AAO 25501	Coin Guid (A)
17	AAO 25502	Coin Guid (B)
18	AAO 13501	Mounting Bracket
19	AAO 23501	Slug Rejector Mounting Bracket Ass'y
20	AAO 25503	Coin Guide
21	AAO 19502	Insulator
22	AAO 52512	Switch C-5G3-3
23	AAO 53501	Actuator
24	AAO 22503	Slug Rejector ¥100
25	AAO 13536	Coin Return Cover
26	AAO 12501	Scavenger
27	AAO 13503	Scavenger Bracket

28	AAI 65008	"E" Ring ETWJ-5
29	AAO 16515	Lock & Key 7500
30	AAO 13505	Lock Washer
31	AAO 13510	Lock Plate
32	AAO 13527	Socket Bracket
33	AAO 55582	Mate-N-Lok Plug
34	AAO 55642	Mate-N-Lok Contact Socket
35	AAO 55581	Mate-N-Lok Cap
36	AAO 55641	Mate-N-Lok Contact Pin
37	AAT 41241	Capacitor TDY-1H-333