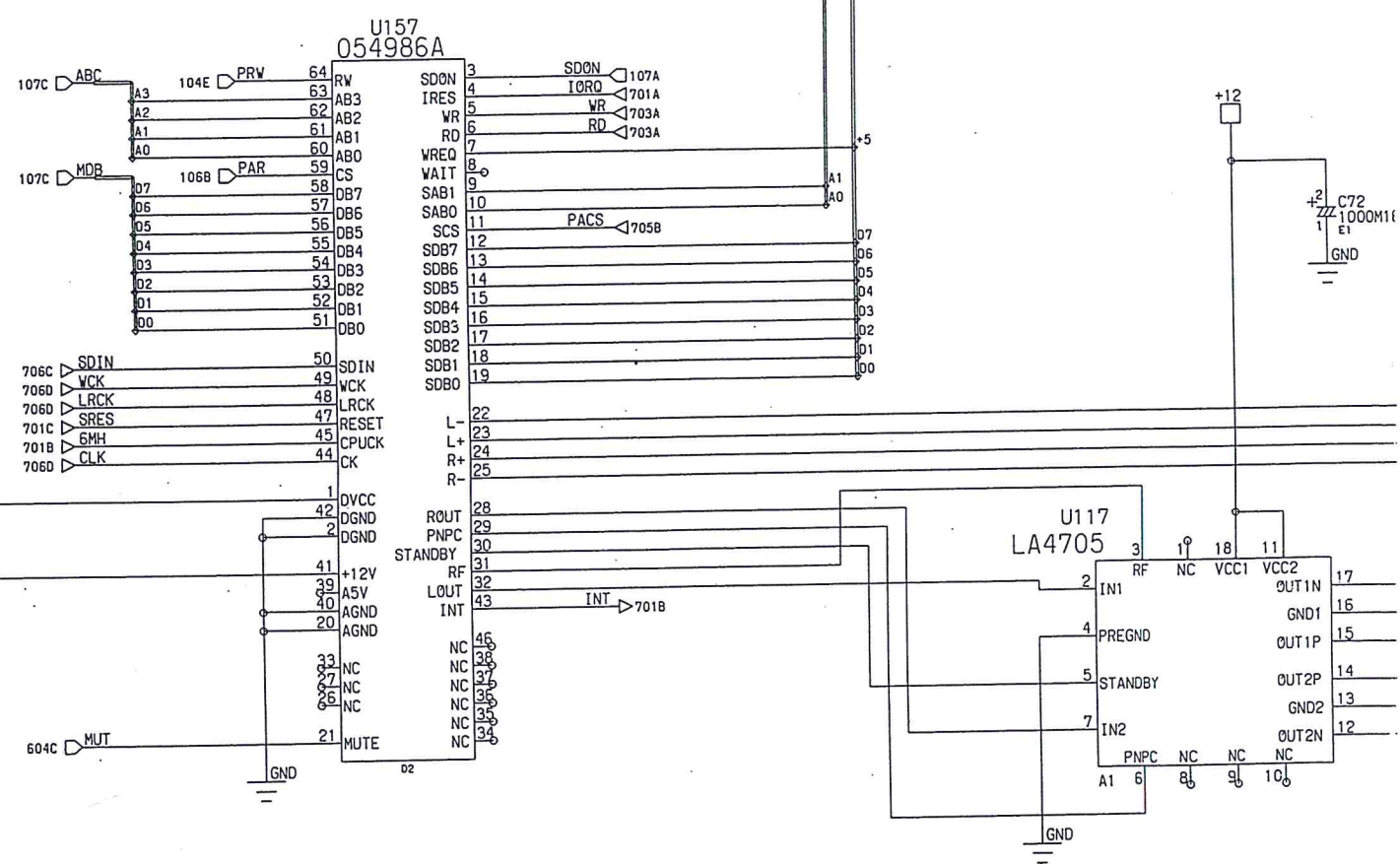
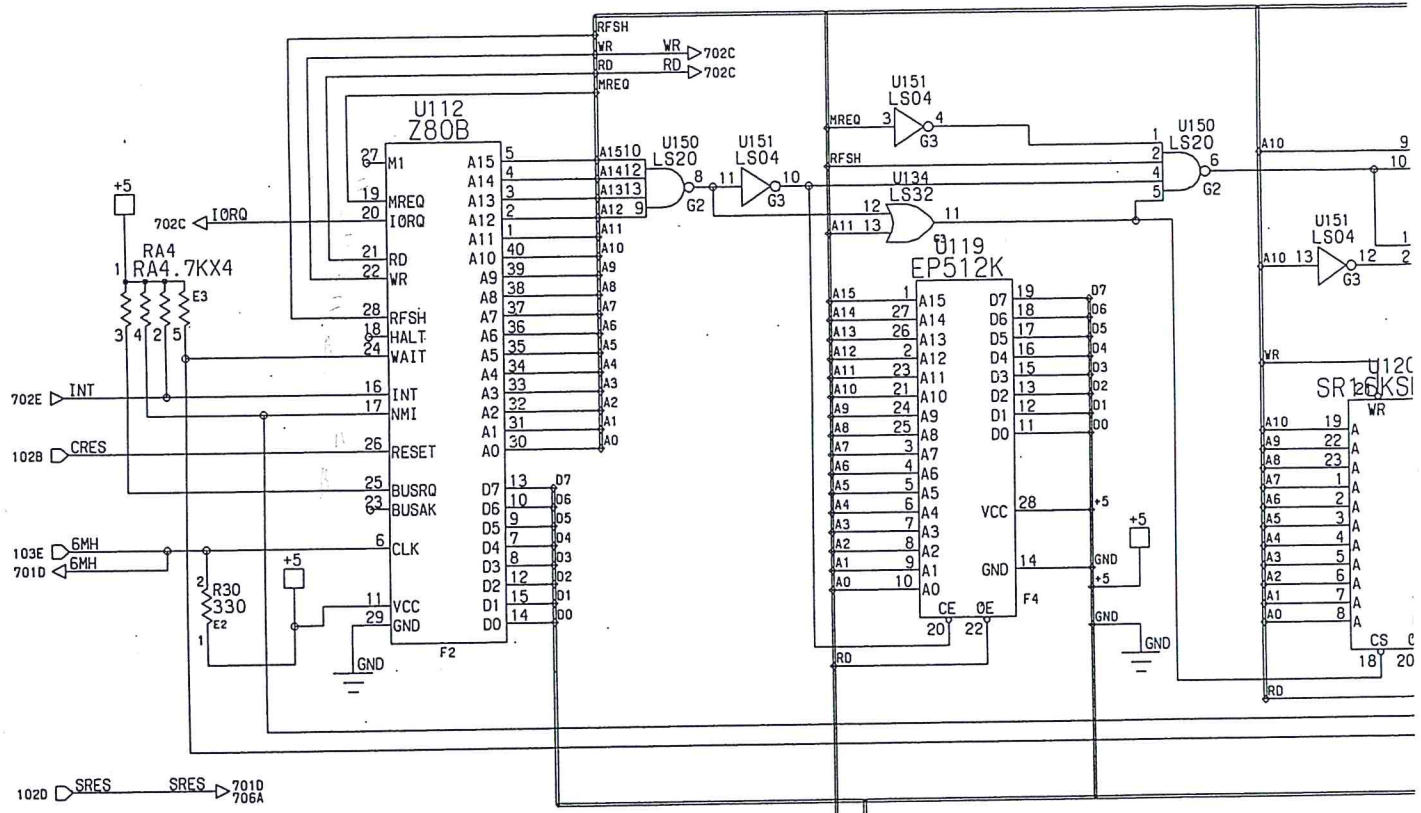


A

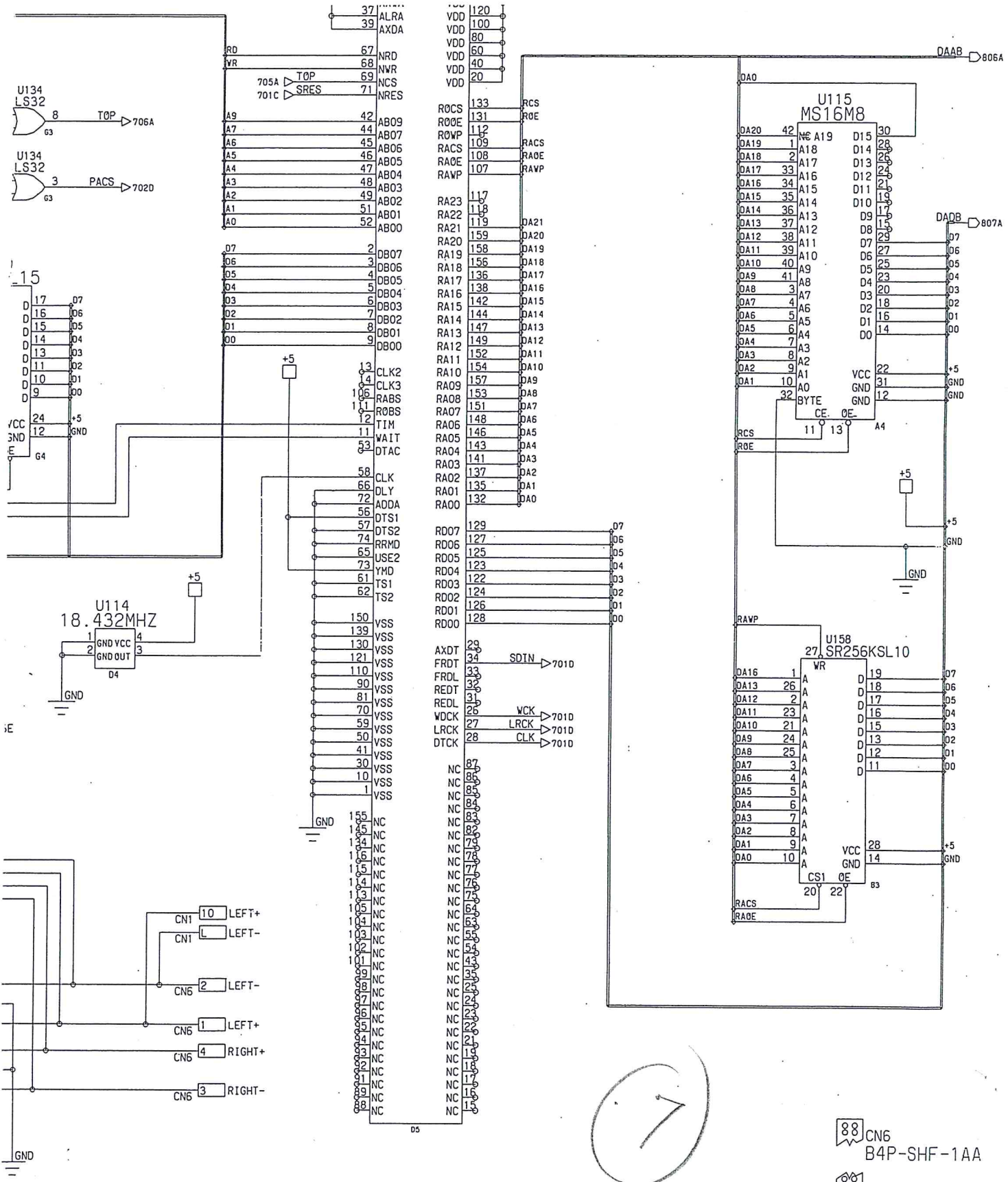
B

C

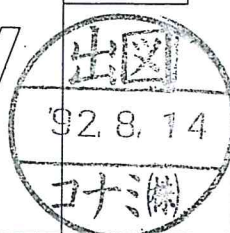
D



PROPRIETARY AND CONFIDENTIAL:
 REPRODUCTION FORBIDDEN WITHOUT THE SPECIFIC WRITTEN PERMISSION OF KONAMI CO., LTD. 7-3-2.
 MINATOJIMA-NAKAMACHI, CHUO-KU, KOBE 650, JAPAN. THIS DRAWING IS ONLY CONDITIONALLY ISSUED. NEITHER
 RECEIPT NOR POSSESSION OF THIS DRAWING OR ANY OPERATING MANUAL RELATING TO KONAMI'S GAMES OR PRODUCTS
 CONTAINING THIS DRAWING CONFER OR TRANSFERS ANY RIGHT IN OR LICENSE TO USE THE PRINTED CIRCUIT BOARDS
 SUBJECT MATTER OF THE DRAWING OR ANY DESIGN OR TECHNICAL INFORMATION



KONAMI



KONAMI CO., LTD.

DRAWING	DESIGN	H. MATSUURA	TITLE	SCHEMATIC DIAGRAM
	DRAW	H. MATSUURA	SUBTITLE	70SOUND
	CHECK	<i>Yoshina</i>	PAGE	7/8
	APPROVE	<i>K. Ueno</i>	CODE NO.	353446
	SCALE		REG. TYPE	GX191 PWB353060A
	TOLERANCE		SECURITY LEVEL	RES. CONFIDENTIAL
	DATE	1992. 8. 13		